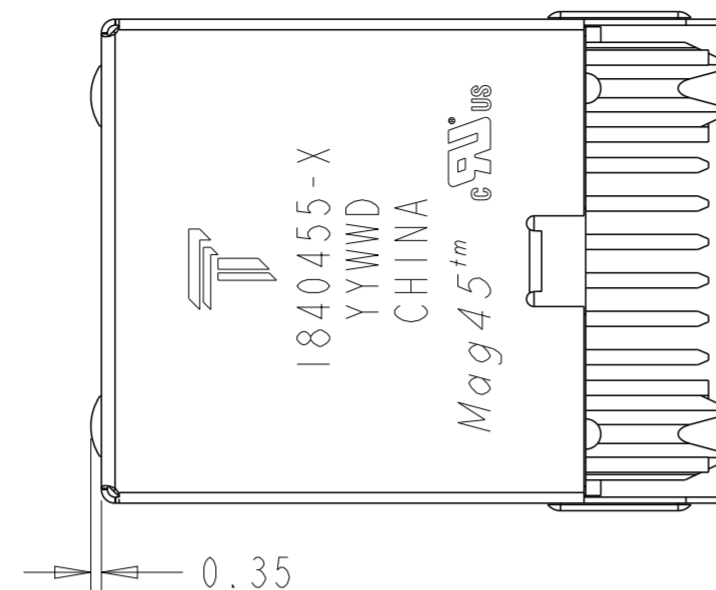
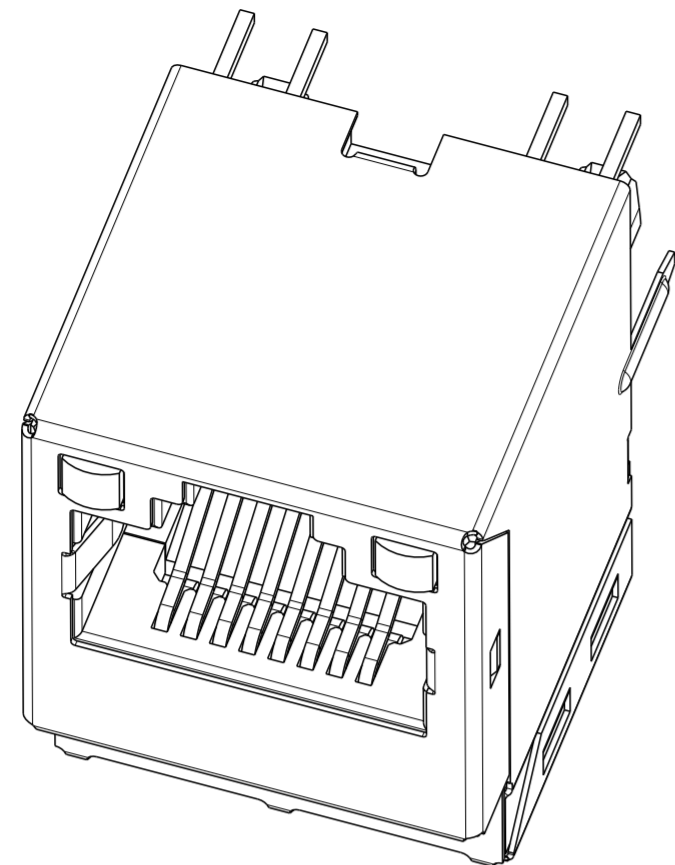


REVISIONS

P	LTR	DESCRIPTION	DATE	DWN	APVD
C		LOGO CHANGE	07APR2013	PP	KZ



1. MATERIALS

HOUSING: THERMOPLASTIC, BLACK, FLAMMABILITY RATED UL 94V-0
 SHIELD: BRASS, 0.20mm THICK, PREPLATED WITH MIN 0.76um SEMI-BRIGHT NICKEL POST DIPPED WITH 2.54um MIN SAC SOLDER AT GROUND PINS.
 CONTACT: PHOSPHOR BRONZE, WITH 1.27um MIN OVERALL NICKEL UNDERPLATE AND SELECTIVE 1.27um MIN GOLD PLATING AT MATING INTERFACE
 SOLDER TAIL: PHOSPHOR BRONZE, WITH 1.27um MIN OVERALL NICKEL UNDERPLATE AND PLATED WITH 2.54um MIN TIN
 LED: DIFFUSED EPOXY LENS, 0.50mm SQUARE CARBON STEEL WIREFRAME LEADS PREPLATED WITH 2.03um MIN SILVER OVER 1.02um MIN NICKEL OVER 1.02um MIN COPPER UNDERPLATE POST PLATED WITH 2.54um MIN TIN

2. MAGNETICS

-APPLICATION: 10/100 BASE-T
 -IMPEDANCE: 100 OHMS
 -TURNS RATIO (CHIP:CABLE): TX = 1:1, RX = 1:1
 -OPEN CIRCUIT INDUCTANCE (OCL): 350uH MIN @100kHz, 0.1VRMS, 8mADC BIAS FROM 0°C TO 70°C, TX AND RX
 -PERFORMANCE @ 25°C:
 INSERTION LOSS (IL): 1.1dB MAX FROM 0.5MHz TO 100MHz
 RETURN LOSS (RL): 18dB MIN FROM 0.5MHz TO 30MHz
 18-20LOG(f/30)dB MIN FROM 30.1MHz TO 60MHz
 12dB MIN FROM 60.1MHz TO 80MHz
 CROSSTALK ATTENUATION: 35dB MIN FROM 0.5MHz TO 40MHz
 33-20LOG(f/50)dB MIN FROM 40.1MHz TO 100MHz
 COMMON MODE REJECTION RATIO (CMRR): 30dB MIN FROM 0.5MHz TO 100MHz
 -ISOLATION VOLTAGE: COMPLIES WITH IEEE802.3 2002, PARA 23.5.1.1, ITEM b.

3. THE MAGNETIC ARE SYMMETRICAL AND SUPPORT AUTO-MDIX OPERATION.

4. OPERATING TEMPERATURE: 0 ~ 70°C

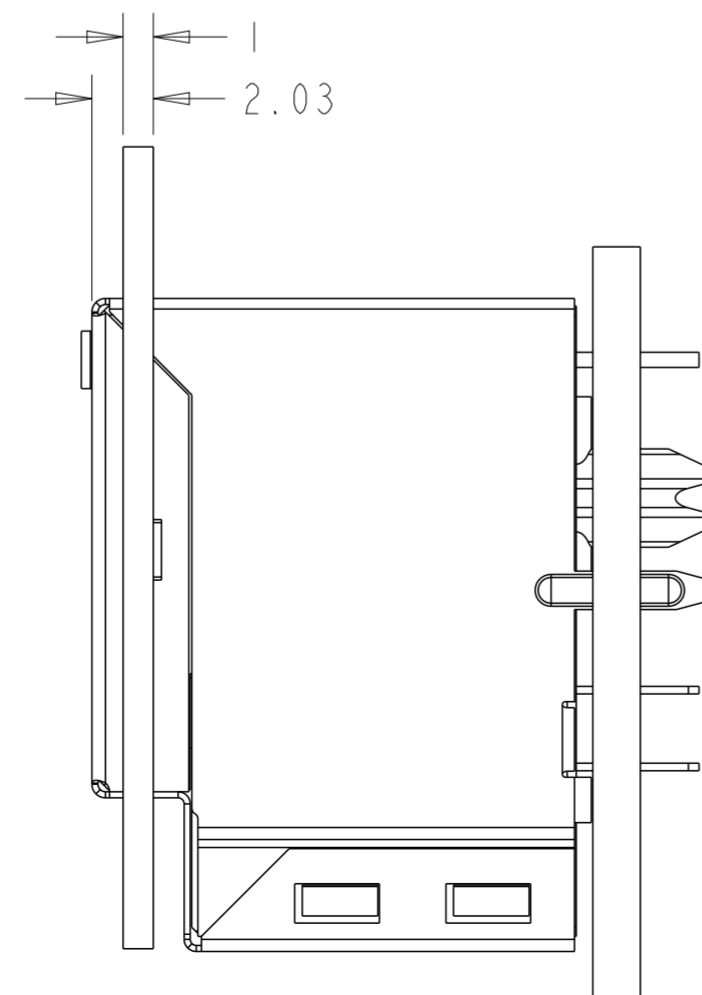
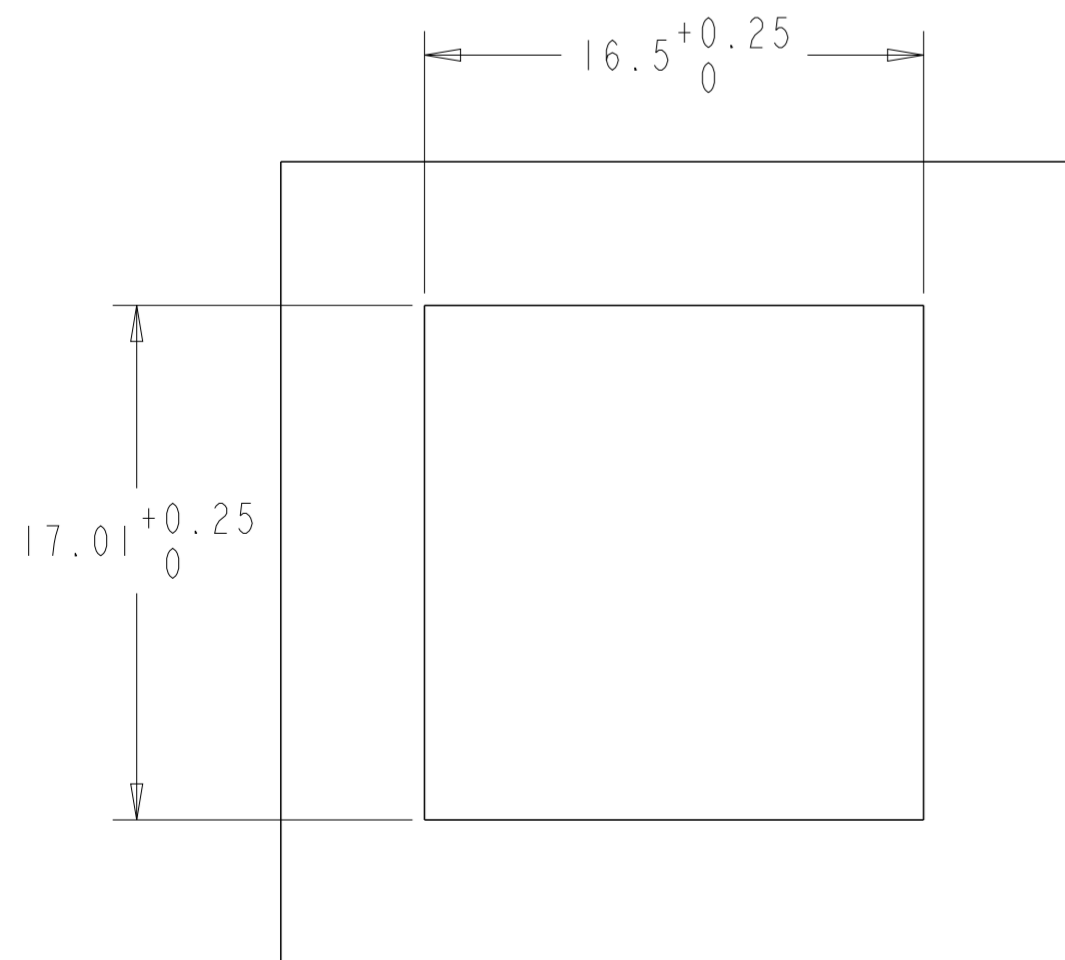
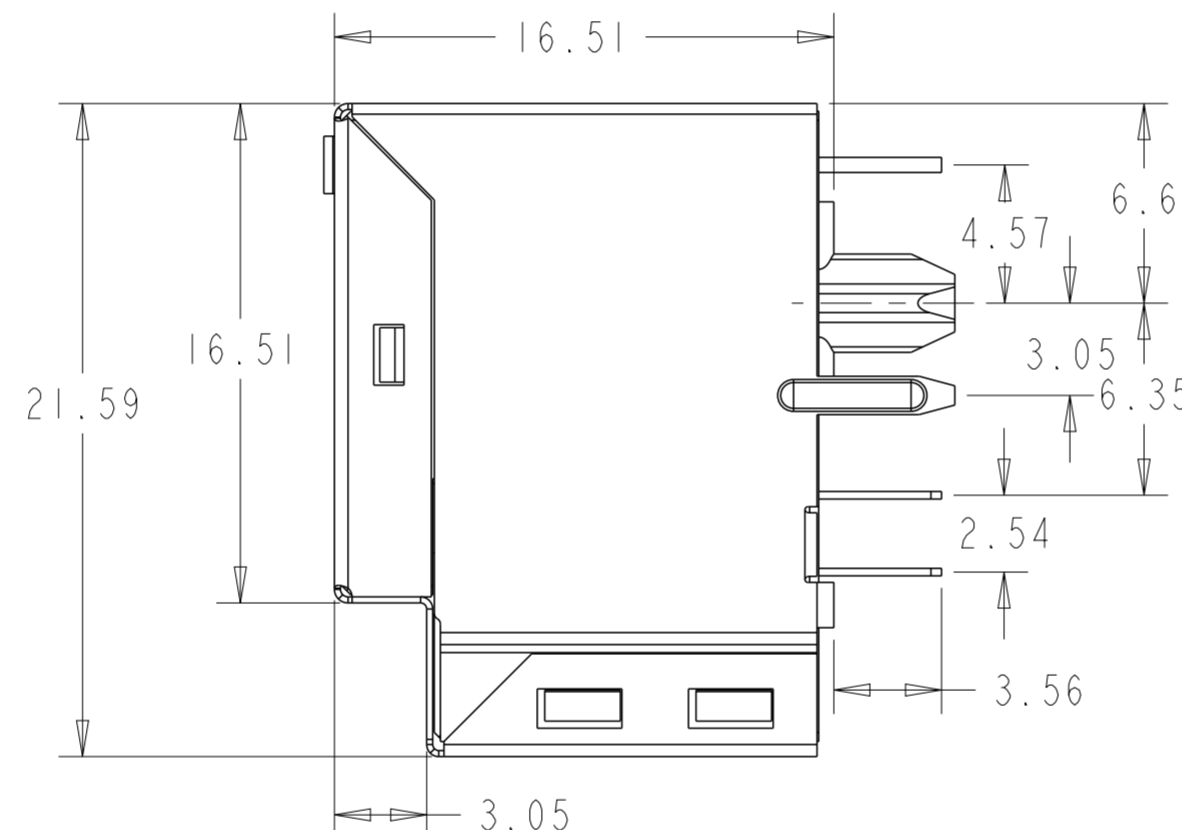
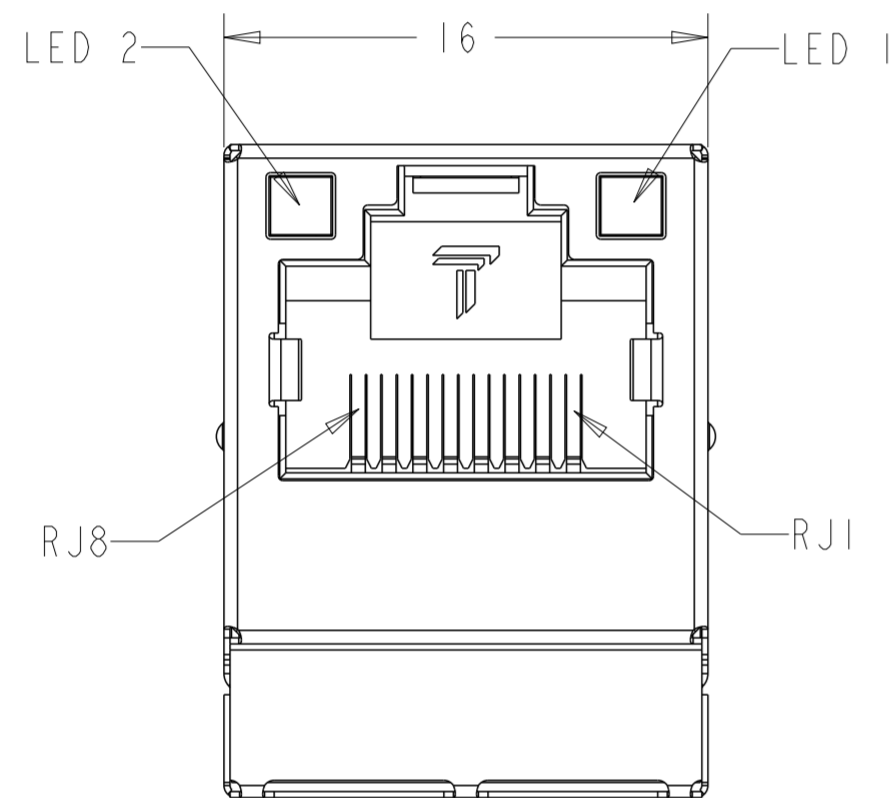
5. LED IS DRIVEN WITH CONSTANT CURRENT AT APPROX 20mA.

DOMINANT WAVELENGTH(λD)
 GREEN 568nm TYP.at IF=20mA
 YELLOW 588nm TYP.at IF=20mA

FORWARD VOLTAGE(VF):
 GREEN 2.2V TYP.at IF=20mA
 YELLOW 2.1V TYP.at IF=20mA

6. ALL DIMENSIONS TO BE NOMINAL UNLESS OTHERWISE NOTED

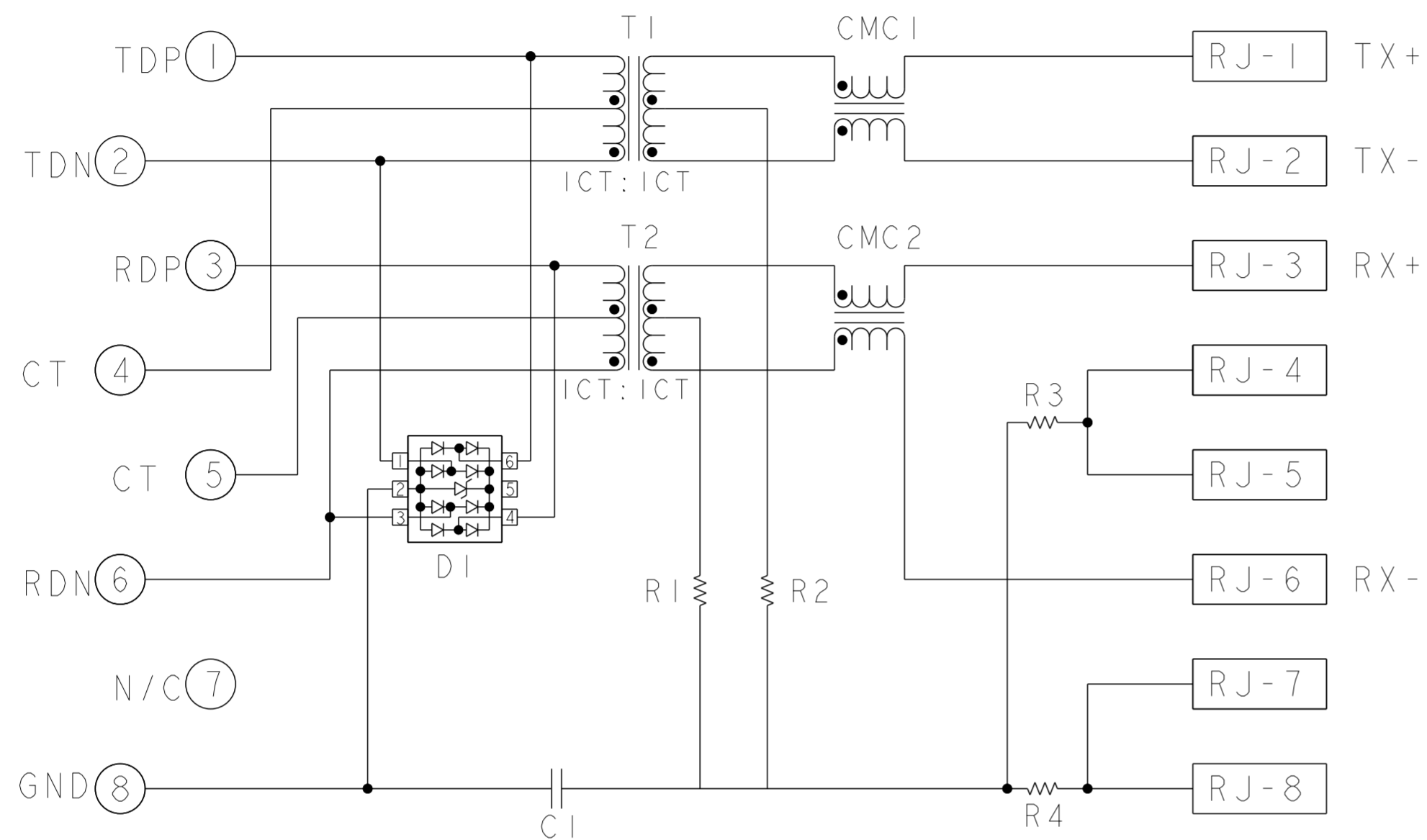
7. RJ45 CAVITY CONFORMS TO FCC RULES AND REGULATION PART 68 SUBPART F.



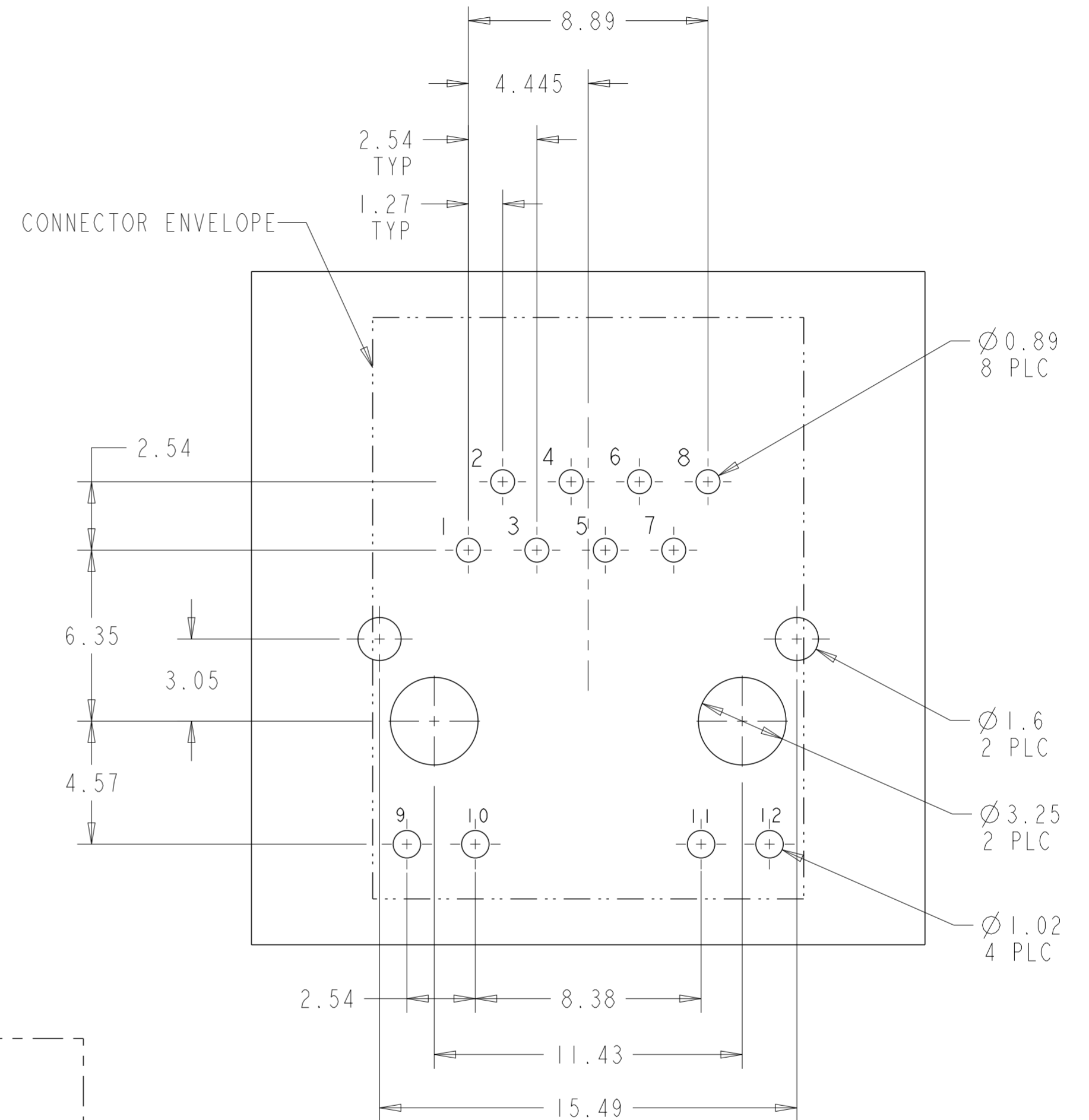
GRN/YEL	GRN/YEL	1840455-4
YELLOW	GREEN	1840455-3
GREEN	YELLOW	1840455-2
GREEN	GREEN	1840455-1
LED 1	LED 2	PART NUMBER

THIS DRAWING IS A CONTROLLED DOCUMENT.		DWN TOMMY REN 26FEB2008	 TRP connector Dongguan China	
DIMENSIONS: mm		CHK FRANK LIU 26FEB2008		
TOLERANCES UNLESS OTHERWISE SPECIFIED:		APVD TEDDY XIONG 26FEB2008	NAME IX1 MAG45(TM) MODULAR JACK, VERTICAL, 489 CIRCUIT, WITH LED	
0 PLC ±0.25 1 PLC ±0.25 2 PLC ±0.25 3 PLC ±0.25 4 PLC ± ANGLES ± FINISH		PRODUCT SPEC 108-2100	SIZE A2	CAGE CODE 00779
MATERIAL		APPLICATION SPEC	DRAWING NO C-1840455	RESTRICTED TO
		WEIGHT	SCALE 3:1	SHEET 1 OF 2
		CUSTOMER DRAWING	REV C	

489 10/100 BASE-T CIRCUIT $\Delta\Delta$

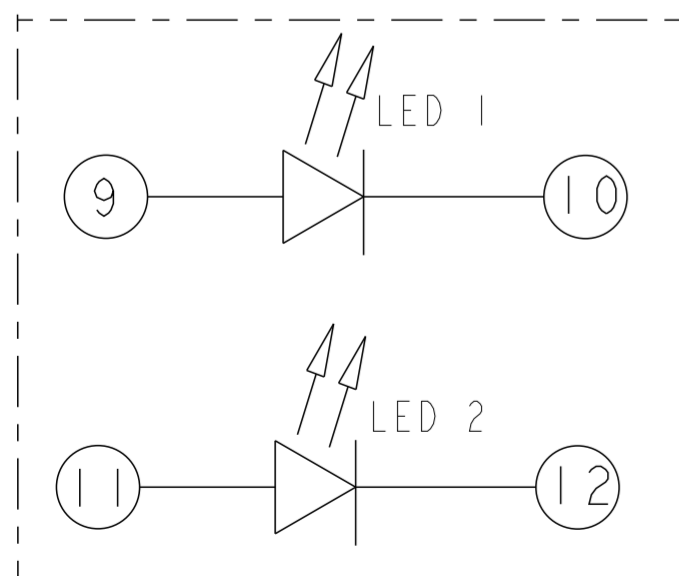


C1 = 1000pF, 2KV, CAPACITOR
 R1 - R4 = 75 ohms, RESISTORS
 DI = SRV05-4, TVS DIODE ARRAY

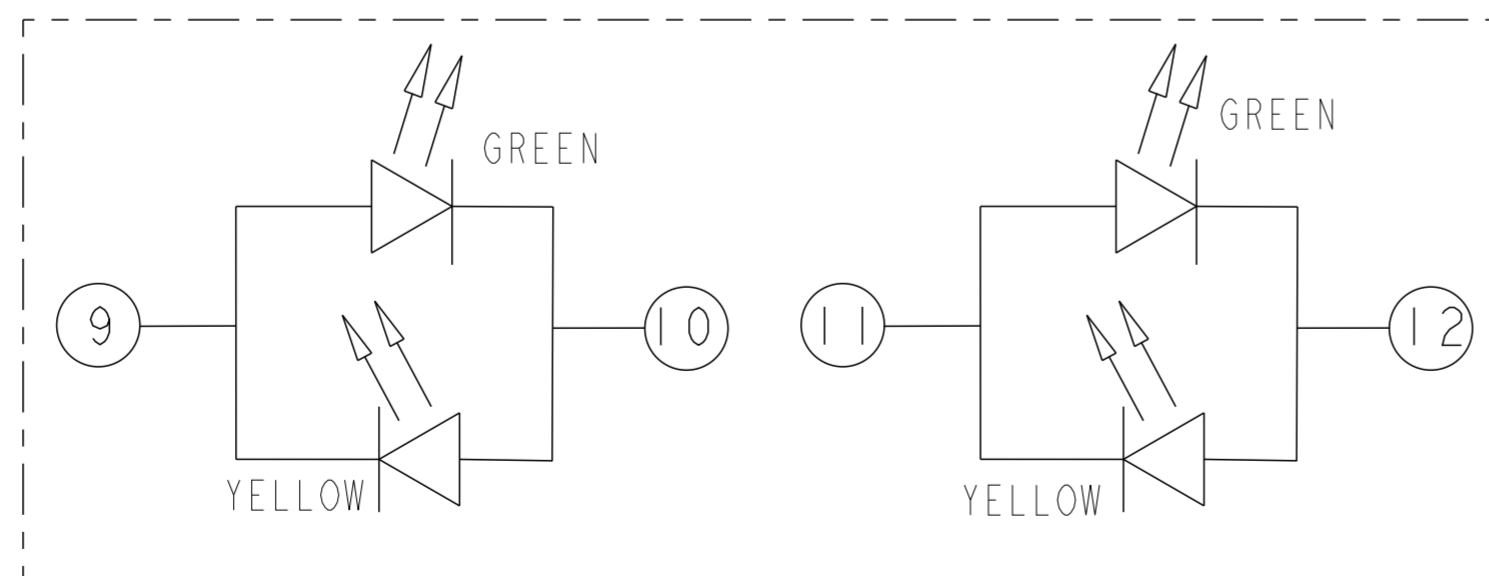



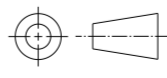
SUGGESTED PCB LAYOUT (TOL: ± 0.05)
 (COMPONENT SIDE VIEW)

SINGLE COLOR LED



BI-COLOR LED



THIS DRAWING IS A CONTROLLED DOCUMENT.		DWN TOMMY REN 26FEB2008	 TRP connector Dongguan China
DIMENSIONS: mm		CHK FRANK LIU 26FEB2008	
		APVD TEDDY XIONG 26FEB2008	
TOLERANCES UNLESS OTHERWISE SPECIFIED:		PRODUCT SPEC 108-2100	NAME 1X1 MAG45(TM) MODULAR JACK, VERTICAL, 489 CIRCUIT, WITH LED
0 PLC ± 0.25		APPLICATION SPEC	SIZE A2
1 PLC ± 0.25		WEIGHT	CAGE CODE 00779
2 PLC ± 0.25		CUSTOMER DRAWING	DRAWING NO C-1840455
3 PLC ± 0.25		SCALE 3:1	RESTRICTED TO
4 PLC \pm		SHEET 2 OF 2	REV C
ANGLES \pm			
FINISH			