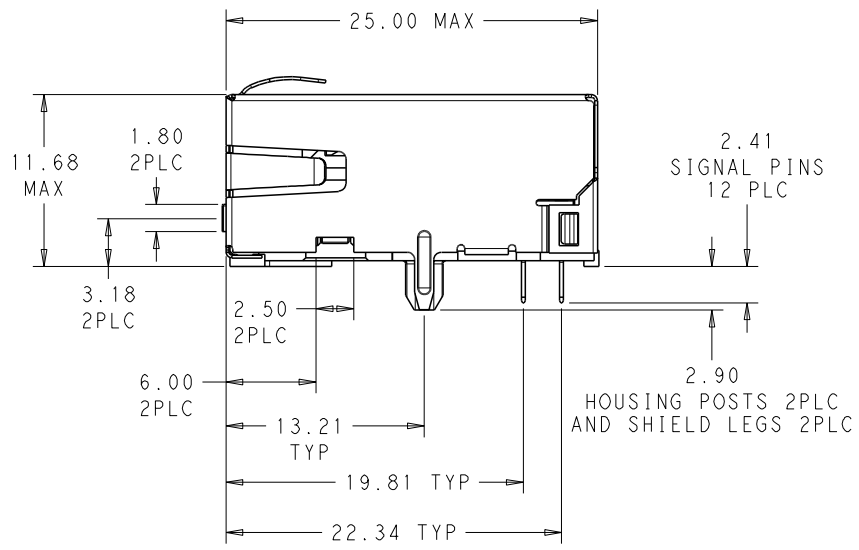
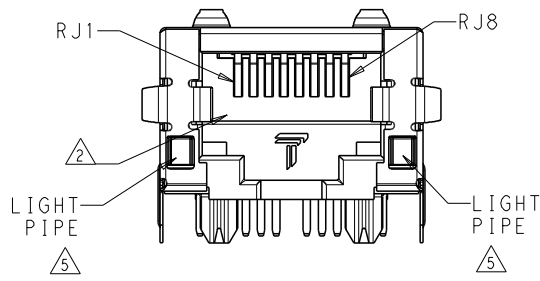
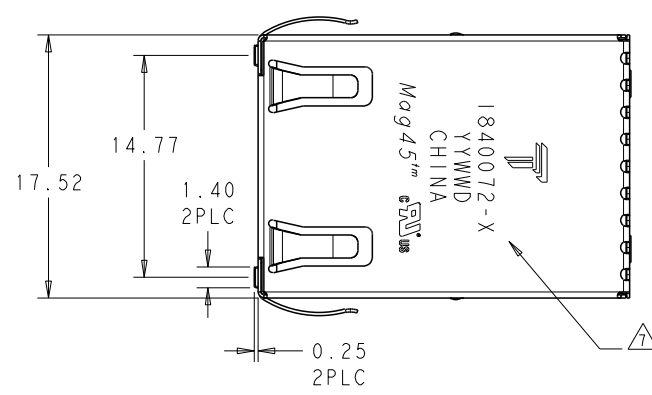
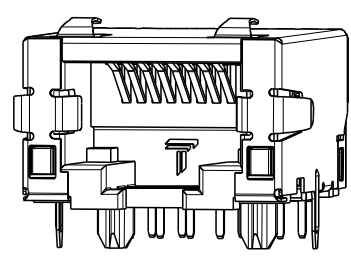


REVISIONS				
P	LYR	DESCRIPTION	DATE	APPD
3		LOGO CHANGE	03MAR2013	TY KZ



- △ MATERIALS:**
- HOUSING: HIGH TEMPERATURE NYLON, BLACK, UL 94V-0
 - SHIELD: 0.20mm THICK, BRASS PREPLATED WITH 0.76 μm MIN SEMI-BRIGHT NICKEL; POST-DIPPED WITH 2 μm MIN SAC 305 ALLOY LEAD FREE SOLDER (TIN PRIMARY, 3% SILVER, 0.5% COPPER)
 - CONTACT TAILS: 0.25mm THICK, PHOSPHOR BRONZE, 1.27 μm MIN OVERALL NICKEL UNDERPLATE, 3 μm MIN TIN PLATE
 - MOD JACK CONTACTS: 0.3mm THICK, PHOSPHOR BRONZE, 1.27 μm MIN OVERALL NICKEL UNDERPLATE, WITH 1.27 μm MIN LOCALIZED GOLD PLATE AT PLUG INTERFACE
 - LIGHT PIPE: POLYETHER SULFONE

△ RJ45 JACK CAVITY CONFORMS TO FCC RULES AND REGULATIONS PART 68, SUB-PART F.

- △ MAGNETICS**
- APPLICATION: 1G/10G BASE-T
 - IMPEDANCE: 100 OHMS
 - TURNS RATIO (CHIP:CABLE): 1:1 ALL FOUR PAIRS
 - OPEN CIRCUIT INDUCTANCE (OCL): 120 uH MIN @ 100kHz, 0.1VRMS, 8mA DC BIAS FROM 0°C TO 70°C, ALL FOUR PAIRS

- ALL FOUR PAIRS BI-DIRECTIONAL
- PERFORMANCE @ 25°C (WHERE f IS FREQUENCY IN MHz):
 - (a) RL (Max)
 - 22-1.33*lg(f) dB (1 to 2 MHz)
 - 26+1.7*lg(f/2) dB (2 to 100 MHz)
 - 23+10*lg(f/100) dB (100 to 200 MHz)
 - 20 dB (200 to 300 MHz)
 - 20+50*lg(f/300) dB (300 to 600 MHz)
 - (b) IL
 - 0.5-1.3*(f-1)/400 dB Min (1 to 400 MHz)
 - (c) CMA (Ref.)
 - 40 + 6.519*lg(f) dB Max (1 to 200 MHz)
 - 25 dB Max (200 to 600 MHz)
 - 0.025(f)-40 dB Max (600 to 1000 MHz)
 - (d) MODE CONVERSION (Ref.)
 - 50 dB Max (1 to 30 MHz)
 - 50+23.05*lg(f/30) dB Max (30 to 600 MHz)
- ISOLATION VOLTAGE: 2250VDC FOR 60 SECONDS WITH A RISE TIME OF 500V/SEC,

△ OPERATING TEMPERATURE: FROM 0°C TO 70°C

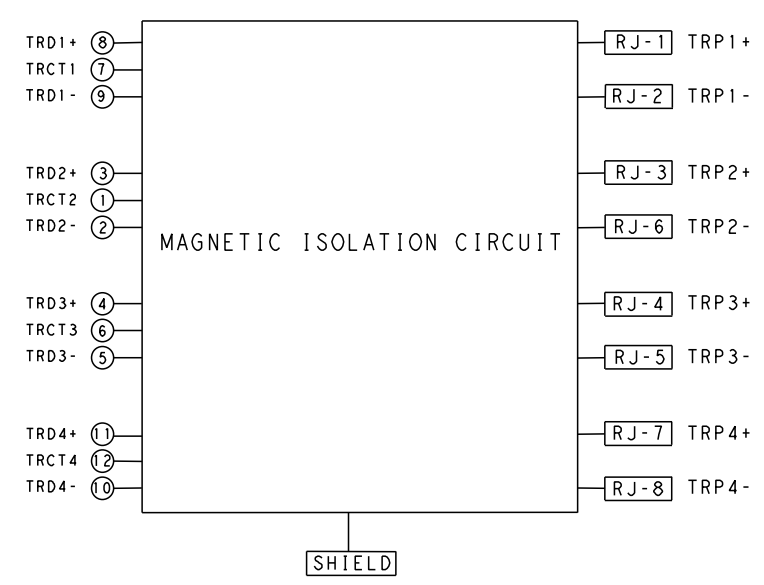
△ LIGHT PIPES ARE USED TO TRANSMIT LIGHT OF SMD LED'S MOUNTED ON CUSTOMER BOARD.

6. ALL DIMENSIONS ARE NOMINAL UNLESS OTHERWISE NOTED.

△ TRP CONNECTOR LOGO, PART NUMBER, DATE CODE, COUNTRY OF ORIGIN, AND AGENCY APPROVAL MARKING IN APPROXIMATE LOCATION SHOWN. DATE CODE: YYWWD WHERE YY IS YEAR, WW IS WORK WEEK, D IS DAY OF WEEK, WITH SUNDAY=1.

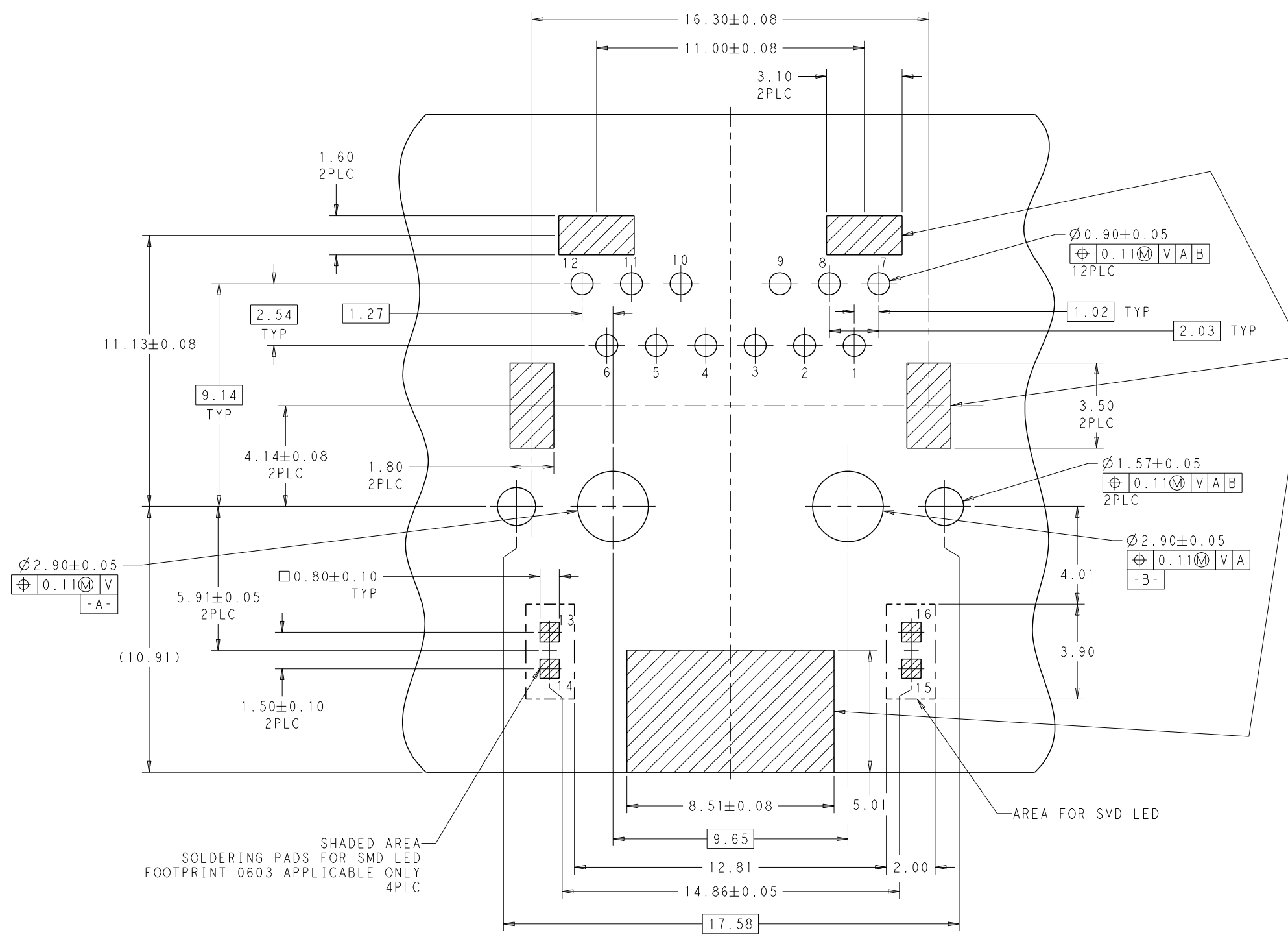
8. THIS PART IS RECOMMENDED FOR WAVE SOLDERING PROCESS, PEAK SOLDERING TEMPERATURE IS 260°C MAX, 10 SECONDS MAX.

1TG08C 10 GIGABIT CIRCUIT △△



1840072-1
 PART NO.

THIS DRAWING IS A CONTROLLED DOCUMENT.		DWN 03APR2012 TERRY TANG/XENIA		TRP connector Dongguan China	
DIMENSIONS: mm		CHK 03APR2012 TONY YUAN/BILL LIU		PRODUCT SPEC	
TOLERANCES UNLESS OTHERWISE SPECIFIED:		APFD 03APR2012 DENNIS CHEN		NAME 1X1 MAG45(TM), MODULAR JACK 1TG08C SERIES 10 GIGABIT CIRCUIT	
0 PLC ±0.25		1 PLC ±0.25		APPLICATION SPEC	
2 PLC ±0.25		3 PLC ±0.25		SIZE CAGE CODE DRAWING NO	
4 PLC ±0.25		ANGLES ±° #1		RESTRICTED TO	
MATERIAL		FINISH		WEIGHT	
RESTRICTED CUSTOMER		SCALE 4:1		SHEET 1 OF 3	
		C=1840072		TECM	
				REV 3	

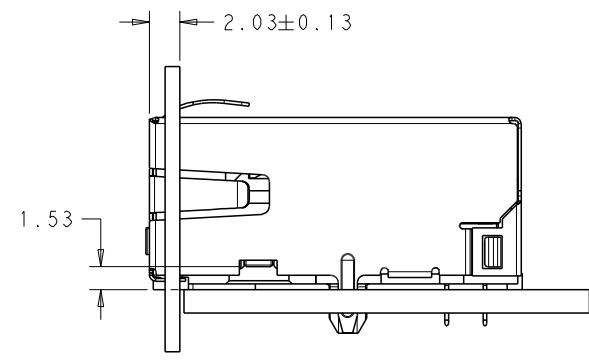
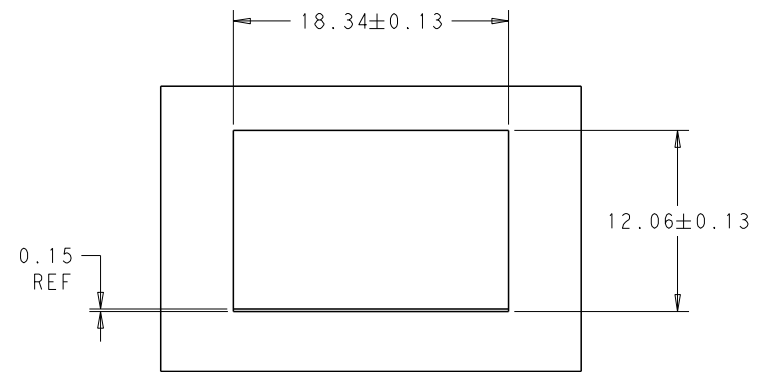


IT IS RECOMMENDED THAT SHADED AREA OF CUSTOMER PC BOARD BE CLEAR OF ANY VIA HOLE, COMPONENT AND CIRCUIT TRACE

SHADED AREA SOLDERING PADS FOR SMD LED FOOTPRINT 0603 APPLICABLE ONLY 4PLC

AREA FOR SMD LED

SUGGESTED PCB LAYOUT (COMPONENT SIDE)





SUGGESTED PANEL OPENING

THIS DRAWING IS A CONTROLLED DOCUMENT.		DWG: 03APR2012 CHK: TERRY TANG/XENIA 03APR2012 APPD: TONY YUAN/BILL LIU 03APR2012 DENNIS CHEN		TRP connector Dongguan China	
DIMENSIONS:	mm	TOOLERANCES UNLESS OTHERWISE SPECIFIED:	0 PLC ±.25 1 PLC ±0.25 2 PLC ±0.25 3 PLC ±0.25 4 PLC ±. ANGLES ±.1	PRODUCT SPEC	NAME: 1X1 MAG45(TM), MODULAR JACK 1TG08C SERIES 10 GIGABIT CIRCUIT
MATERIAL	FINISH	WEIGHT	RESTRICTED TO	SIZE: A1	CAGE CODE: C=1840072
RESTRICTED CUSTOMER			SCALE: 3:1	SHEET: 2	OF: 3
			REV: 3	TECM	

1840072						STOCK DISPOSITION			
						A: CONTINUE AS IS		D: USE OLD FIRST	
						B: REWORK		E: PARTS TO CONFORM	
						C: SCRAP		F: OTHER	
REVISION HISTORY									
DATE	REV	CHANGES	REASON	APPROVAL	INVENTORY (A,B,C,D,E,F)	WORK IN PROCESS (A,B,C,F)	SUPPLIER ORDERS (A,E,F)	OPEN CUST ORDERS (A,E,F)	
03APR2012	1	INITIAL RELEASE	-	DC	-	-	-	-	
21AUG2012	2	SHEET 1, D4, ADDED OCL REQUIREMENT	CUSTOMER REQUIREMENT	TY	-	-	-	-	
03MAR2013	3	LOGO CHANGE	MARKET REQUEST	KEITH ZHU	-	-	-	-	

THIS DRAWING IS A CONTROLLED DOCUMENT.

DIMENSIONS: mm 		TOLERANCES UNLESS OTHERWISE SPECIFIED: 0 PLC ±.25 1 PLC ±0.25 2 PLC ±0.25 3 PLC ±0.25 4 PLC ±. ANGLES ±° ±1		DWN 03APR2012 TERRY TANG/XENIA CMT 03APR2012 TONY YUAN/BILL LIU APFD 03APR2012 DENNIS CHEN		TRP connector Dongguan China 	
MATERIAL 		FINISH 		PRODUCT SPEC 		NAME 1X1 MAG45(TM), MODULAR JACK 1TG08C SERIES 10 GIGABIT CIRCUIT	
WEIGHT 		APPLICATION SPEC 		SIZE A1		CAGE CODE C=1840072	
RESTRICTED CUSTOMER		SCALE 3:1		SHEET 3 OF 3		RESTRICTED TO TECM REV 3	