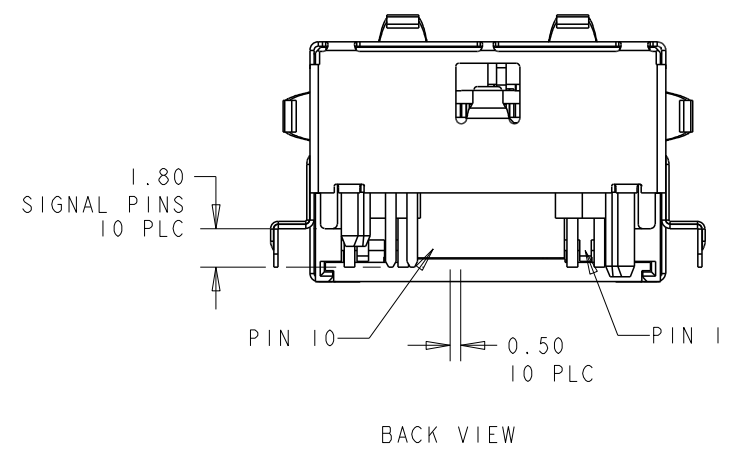
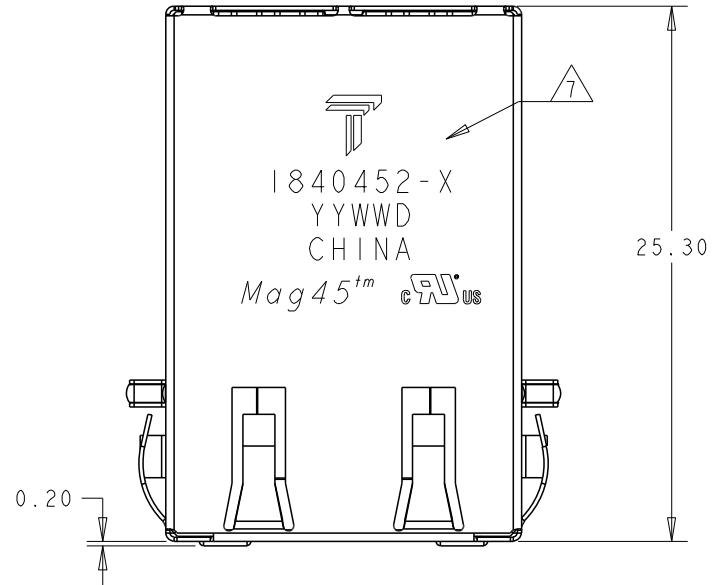


REVISIONS				
P	LTR	DESCRIPTION	DATE	OWN APVD
	D	LOGO CHANGE	28APR2013	TY KZ

D



1 MATERIALS
HOUSING: HIGH TEMPERATURE NYLON (FR52G30BL),BLACK,FLAMMABILITY RATING UL 94V-0.
SHIELD: BRASS, 0.20mm THICK,PREPLATED WITH MIN 0.76um SEMI-BRIGHT NICKEL;
POST DIPPED WITH 2.54um MIN SAC SOLDER AT GROUND PINS.
COVER: BRASS, 0.20mm THICK,PREPLATED WITH MIN 0.76um SEMI-BRIGHT NICKEL;
BLACK COATING OVERALL.
CONTACT: PHOSPHOR BRONZE, 0.25mm THICK
WITH 1.27um MIN OVERALL NICKEL UNDERPLATE AND
SELECTIVE 1.27um MIN GOLD PLATING AT MATING INTERFACE
SOLDER TAIL:0.25mm THICK,PHOSPHOR BRONZE,1.27um MIN OVERALL NICKEL UNDERPLATE,
3 um MIN MATTE TIN PLATE.
LED: DIFFUSED EPOXY LENS, 0.50mm SQUARE CARBON STEEL WIREFRAME LEADS
PREPLATED WITH 2.03um MIN SILVER OVER 1.02um MIN NICKEL UNDERPLATE
OVER 1.02um MIN COPPER UNDERPLATE;POST PLATED WITH 2.54um MIN MATTE TIN.

2 RJ45 CAVITY CONFORMS TO FCC RULES AND REGULATION PART 68 SUBPART F.

3 MAGNETICS
-APPLICATION: 10/100/1000 BASE-T
-IMPEDANCE: 100 OHMS
-TURNS RATIO (CHIP:CABLE): 1:1 ALL FOUR PAIRS
-OPEN CIRCUIT INDUCTANCE (OCL): 350uH MIN @100kHz, 0.1VRMS,
8mADC BIAS FROM 0°C TO 70°C, ALL FOUR PAIRS
-ALL FOUR PAIRS BI-DIRECTIONAL
-PERFORMANCE @ 25°C:
INSERTION LOSS (IL): 1.1dB MAX FROM 0.5MHz TO 100MHz
RETURN LOSS (RL): 18dB MIN FROM 0.5MHz TO 40MHz
12-20LOG(f/80)dB MIN FROM 40.1MHz TO 100MHz
CROSSTALK ATTENUATION: 35dB MIN FROM 0.5MHz TO 40MHz
33-20LOG(f/50)dB MIN FROM 40.1MHz TO 100MHz
COMMON MODE REJECTION RATIO (CMRR): 30dB MIN FROM 0.5MHz TO 100MHz
-ISOLATION VOLTAGE:COMPLY WITH IEEE802.3 2002, PARA 40.6.1.1, ITEM b.

4. OPERATING TEMPERATURE: 0°C ~ 70°C.

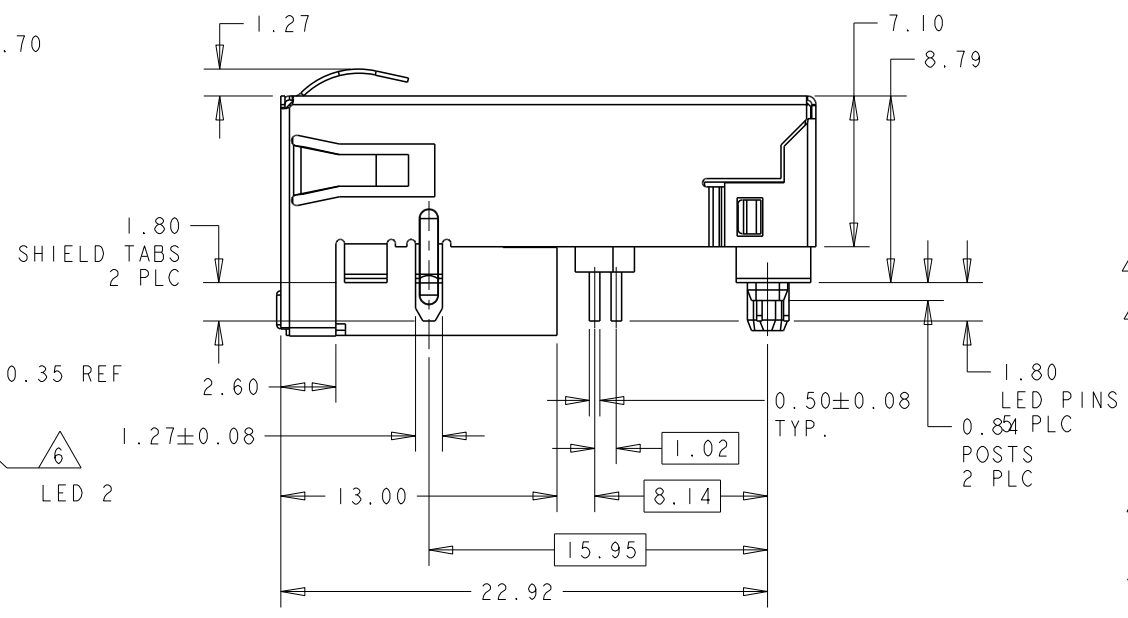
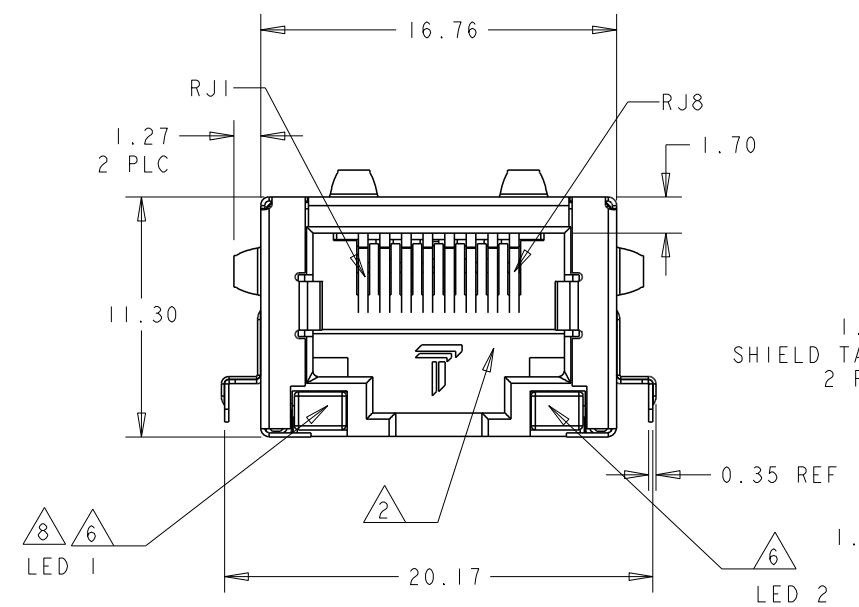
5 THE MAGNETIC CIRCUIT ARE SYMMETRICAL AND SUPPORT AUTO-MDIX OPERATION.

6 LEDS ARE DRIVEN WITH CONSTANT CURRENT AT APPROX 20mA.
LED COLOR: DOMINANT WAVELENGTH (λD): GREEN 568 nm TYP. at IF=20mA
FORWARD VOLTAGE (VF): GREEN 2.2V TYP. at IF=20mA
DOMINANT WAVELENGTH (λD): YELLOW 588 nm TYP. at IF=20mA
FORWARD VOLTAGE (VF): YELLOW 2.1V TYP. at IF=20mA
DOMINANT WAVELENGTH (λD): ORANGE 610 nm TYP. at IF=20mA
FORWARD VOLTAGE (VF): ORANGE 2.1V TYP. at IF=20mA

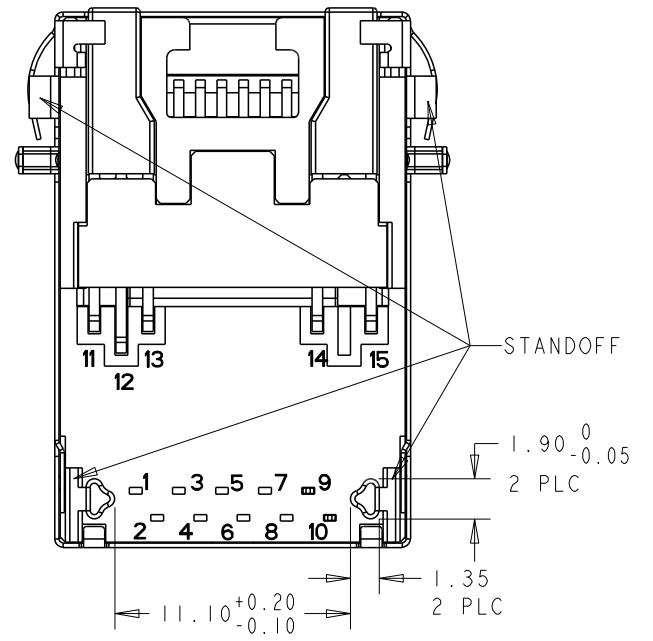
7 TRP CONNECTOR LOGO, PART NUMBER, DATE CODE, COUNTRY OF ORIGIN, AGENCY LOGO TO BE MARKED IN APPROXIMATE LOCATION SHOWN.

8 LED 1 WILL EMULATE "YELLOW" LIGHT WHEN BOTH GREEN AND ORANGE DIODES ARE DRIVEN WITH CONSTANT CURRENT 20mA TO INDICATE THE THIRD COLOR STATE.

C



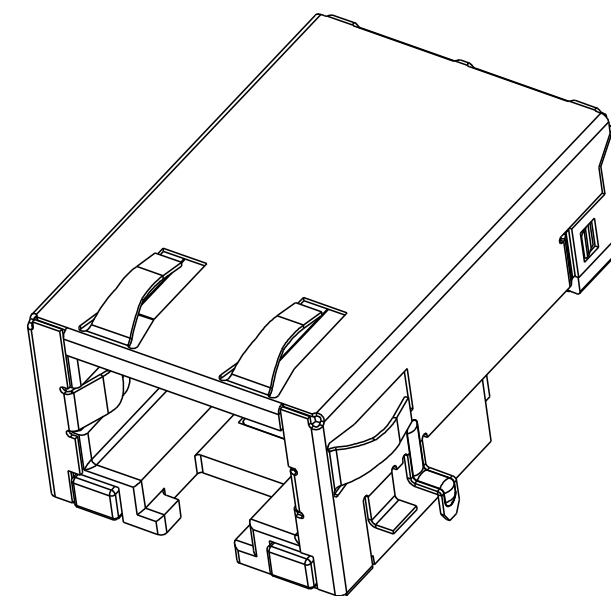
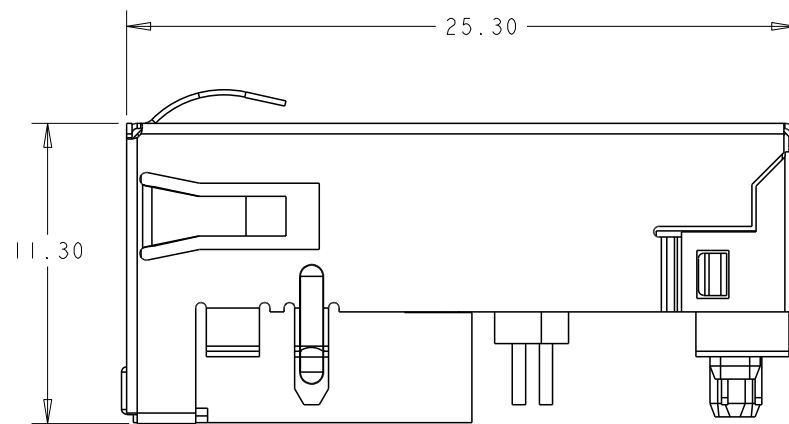
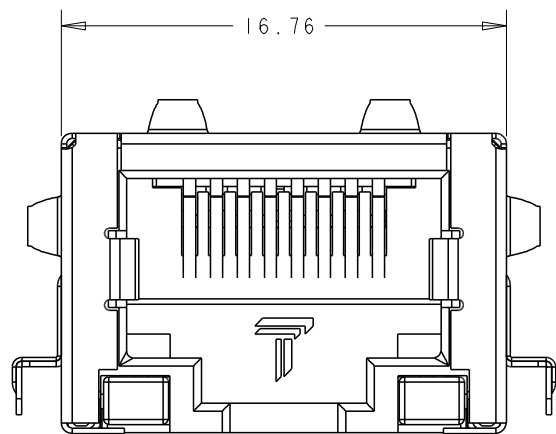
B



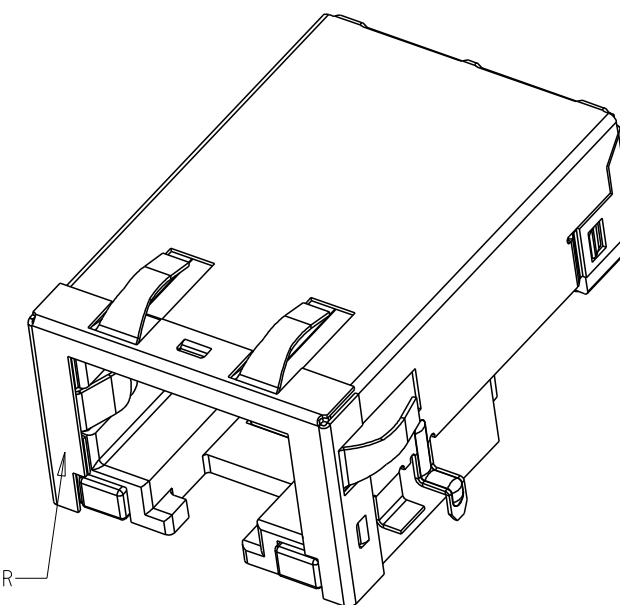
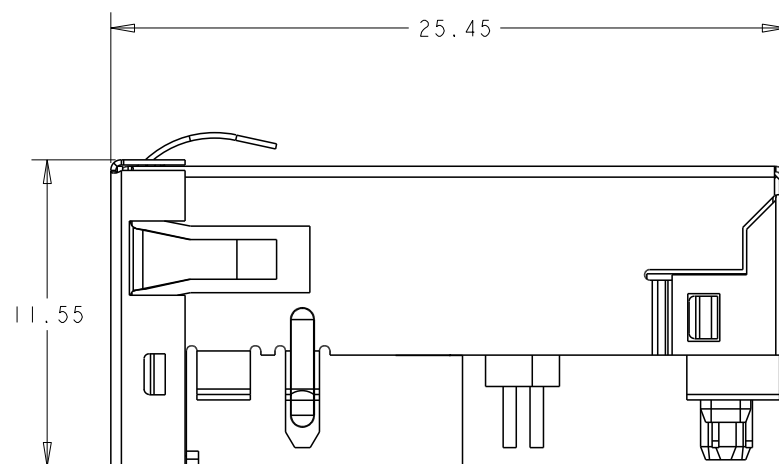
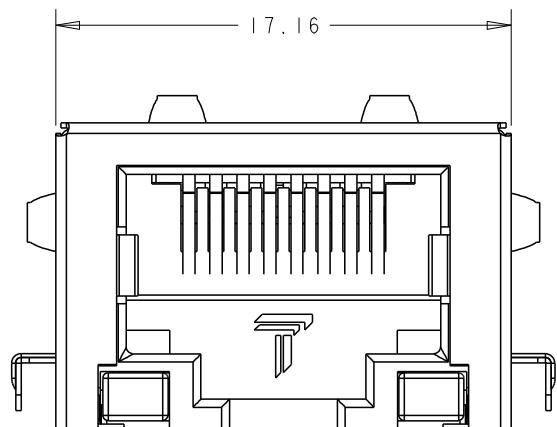
W/O	GREEN/ORANGE	YELLOW	1-1840452-1
W/	GREEN/ORANGE	YELLOW	1840452-1
BLACK COATING COVER	LED1	LED2	PART NUMBER

THIS DRAWING IS A CONTROLLED DOCUMENT.		DWN TOMMY REN 240CT2007	<p>TRP connector Dongguan China</p>													
DIMENSIONS: mm		CHK KEITH ZHU 240CT2007														
TOLERANCES UNLESS OTHERWISE SPECIFIED:		APVD TEDDY XIONG 240CT2007														
<table border="1"> <tr><td>0 PLC</td><td>±0.25</td></tr> <tr><td>1 PLC</td><td>±0.25</td></tr> <tr><td>2 PLC</td><td>±0.25</td></tr> <tr><td>3 PLC</td><td>±0.25</td></tr> <tr><td>4 PLC</td><td>±</td></tr> <tr><td>ANGLES</td><td>±</td></tr> <tr><td>FINISH</td><td>±</td></tr> </table>		0 PLC		±0.25	1 PLC	±0.25	2 PLC	±0.25	3 PLC	±0.25	4 PLC	±	ANGLES	±	FINISH	±
0 PLC	±0.25															
1 PLC	±0.25															
2 PLC	±0.25															
3 PLC	±0.25															
4 PLC	±															
ANGLES	±															
FINISH	±															
MATERIAL		APPLICATION SPEC	NAME 1X1 MAG45(TM), JACK, 4G55 GIGABIT SHIELDED, WITH LEDS													
		SIZE	CAGE CODE													
		WEIGHT	DRAWING NO													
		A2	©=1840452													
CUSTOMER DRAWING		SCALE	RESTRICTED TO													
		3:1														
		SHEET	REV													
		1	D													
		OF														
		3														


A

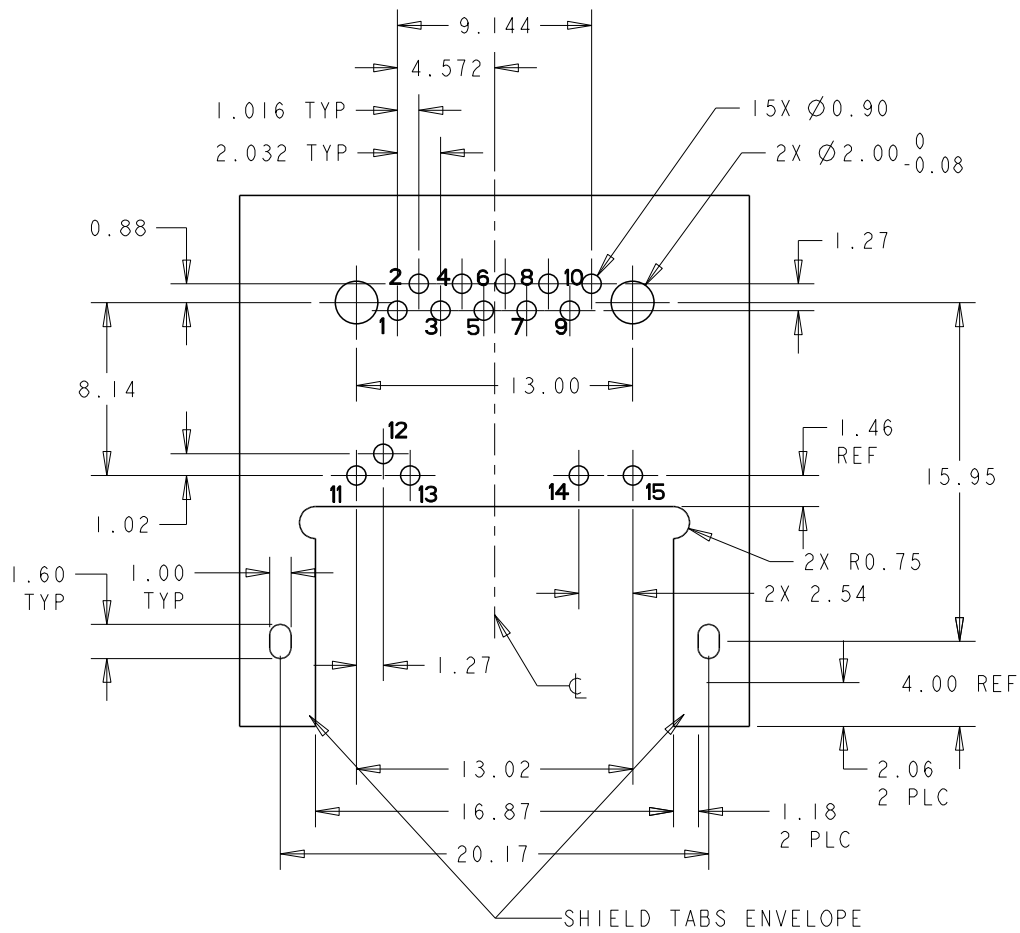


1-1840452-1 SHOWN

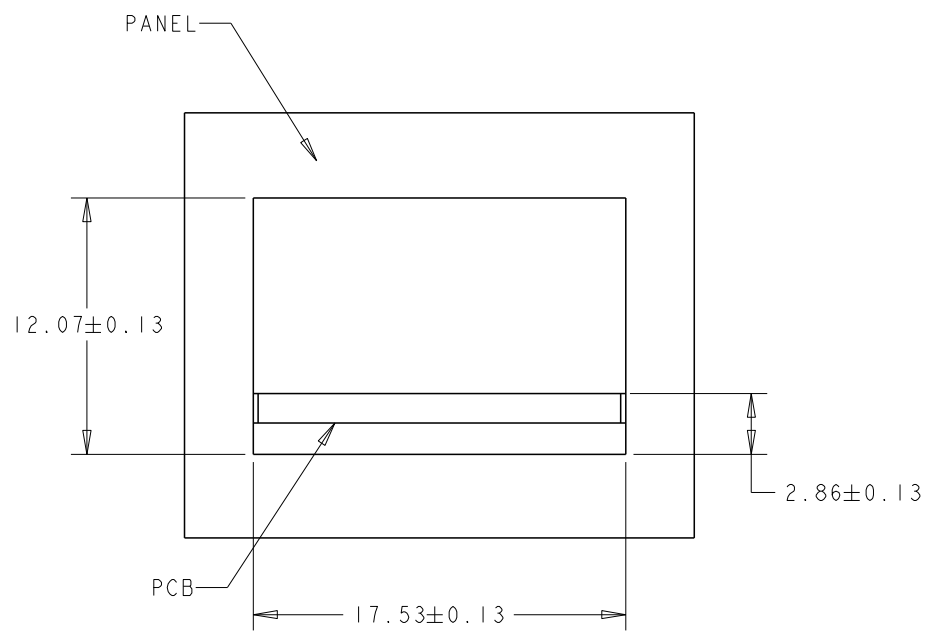


1840452-1 SHOWN

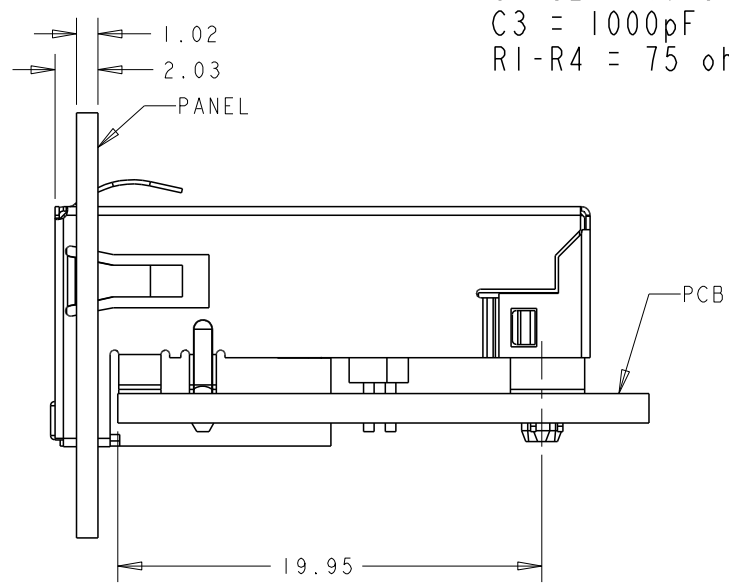
THIS DRAWING IS A CONTROLLED DOCUMENT.		DWN TOMMY REN 24OCT2007	 TRP connector Dongguan China
DIMENSIONS: mm		CHK KEITH ZHU 24OCT2007	
TOLERANCES UNLESS OTHERWISE SPECIFIED:		APVD TEDDY XIANG 24OCT2007	PRODUCT SPEC
0 PLC ±0.25		108-2207	NAME 1X1 MAG45(TM), JACK, 4G55 GIGABIT SHIELDED, WITH LEDS
1 PLC ±0.25		APPLICATION SPEC	SIZE A2
2 PLC ±0.25		WEIGHT	CAGE CODE C-1840452
3 PLC ±0.25		CUSTOMER DRAWING	DRAWING NO -
4 PLC ±-		SCALE 3:1	RESTRICTED TO -
ANGLES ±-		SHEET 2 OF 3	REV D
FINISH			



SUGGESTED PCB LAYOUT (TOL:±0.05)
COMPONENT SIDE VIEW

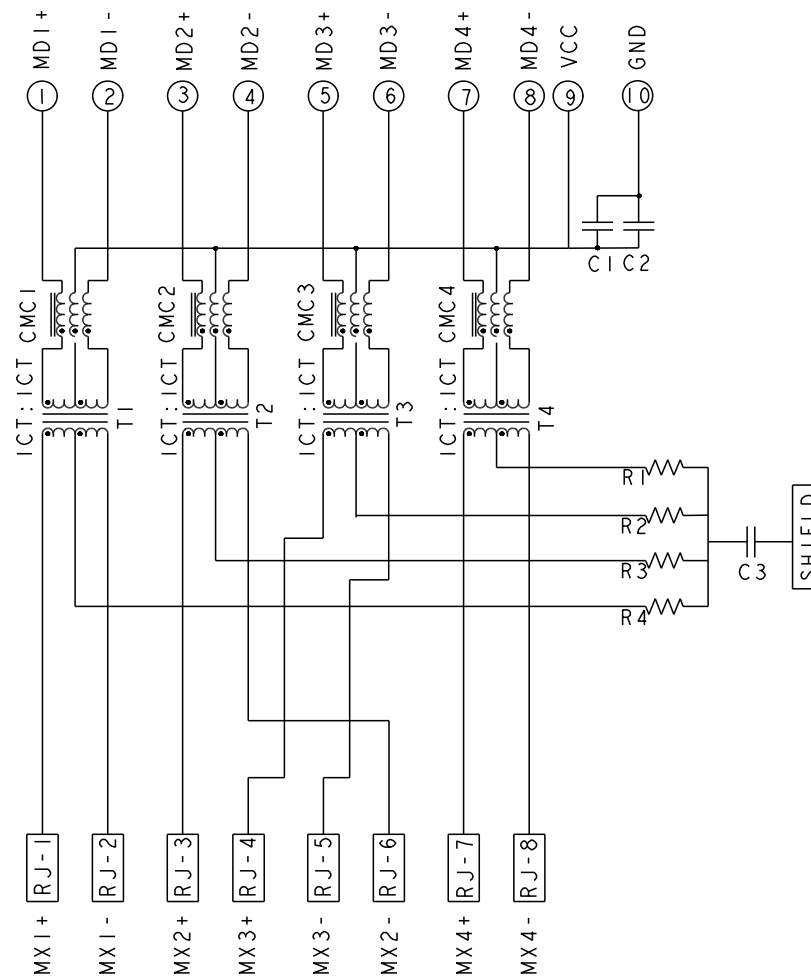


SUGGESTED PANEL CUTOUT

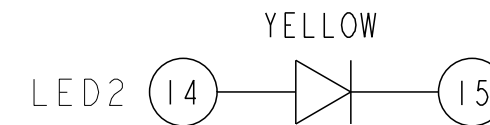
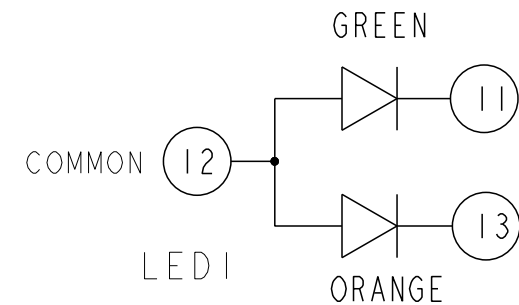


CONNECTOR ASSEMBLED
TO PANEL AND PCB

4G55 GIGABIT CIRCUIT $\triangle 3 \triangle 5$



C1-C2 = 0.1uF 50V, CAPACITOR
C3 = 1000pF 2KV, CAPACITOR
R1-R4 = 75 ohms, 1/16W, RESISTOR



THIS DRAWING IS A CONTROLLED DOCUMENT.		DWN TOMMY REN 240CT2007	<p>TRP connector Dongguan China</p>	NAME 1X1 MAG45(TM), JACK, 4G55 GIGABIT SHIELDED, WITH LEDS		
DIMENSIONS: mm		CHK KEITH ZHU 240CT2007		PRODUCT SPEC 108-2207	SIZE A2	CAGE CODE
TOLERANCES UNLESS OTHERWISE SPECIFIED:		APVD TEDDY XIANG 240CT2007		APPLICATION SPEC	DRAWING NO C=1840452	RESTRICTED TO
0 PLC ±0.25 1 PLC ±0.25 2 PLC ±0.25 3 PLC ±0.25 4 PLC ± ANGLES ± FINISH ±		WEIGHT		SCALE 4:1	SHEET 3 OF 3	REV D
MATERIAL		CUSTOMER DRAWING				