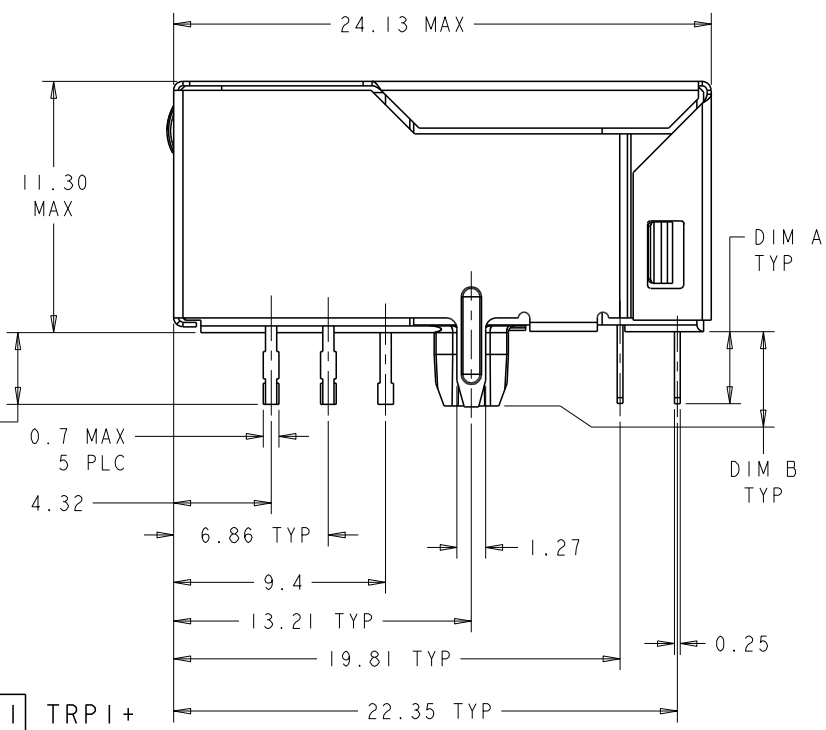
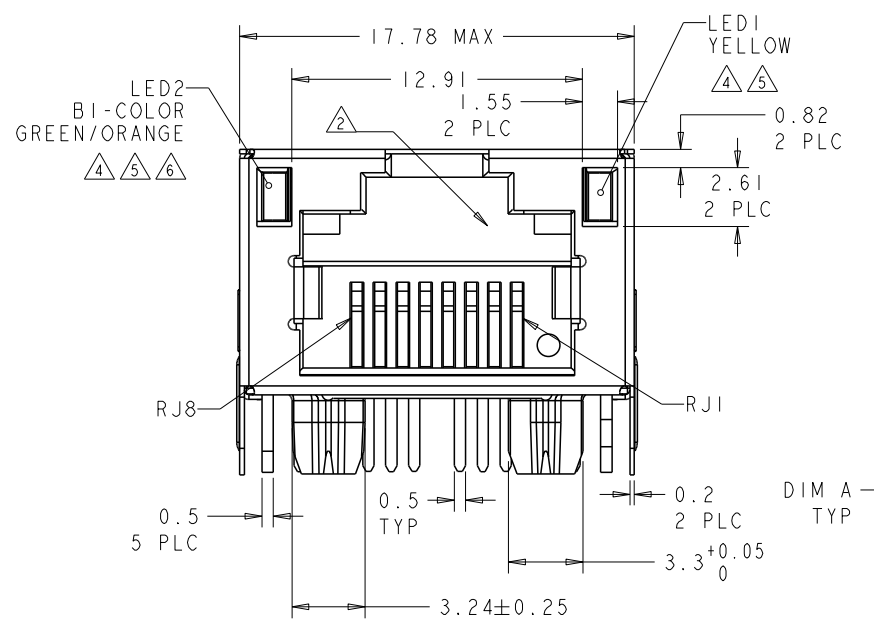
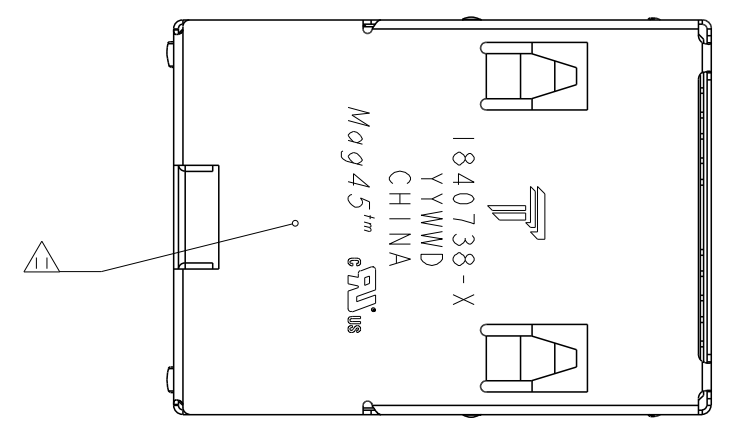
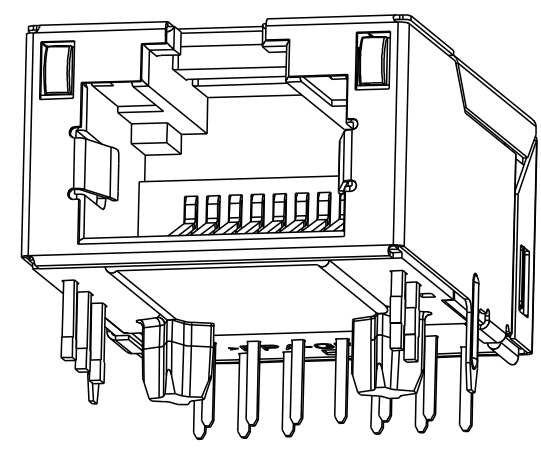
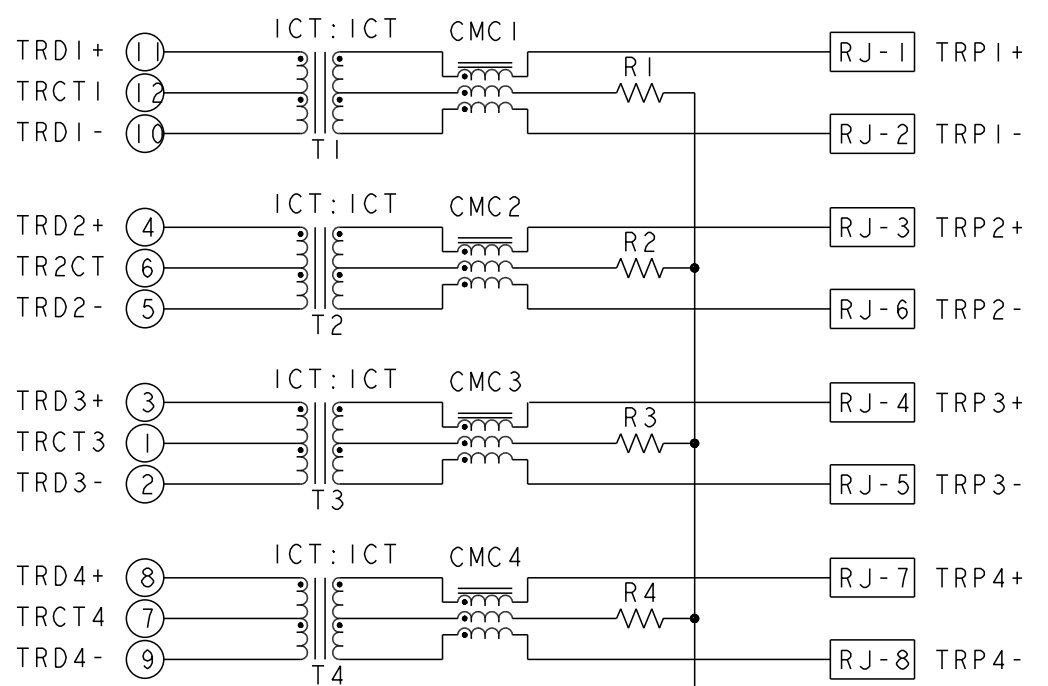


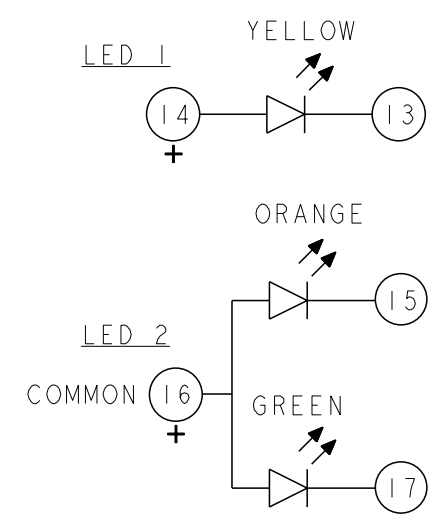
REVISIONS				
P	LYR	DESCRIPTION	DATE	APPD
D		LOGO CHANGE	08MAY2013	TY KZ



IG18 GIGABIT CIRCUIT



C1 : 1000pF, 3KV DECOUPLING CAPACITOR.
 R1-R4: 75 OHMS, 1/16 W, 5% RESISTORS.



- △ MATERIALS:
 - HOUSING: HIGH TEMPERATURE NYLON, BLACK, UL 94V-0
 - SHIELD: 0.20mm THICK, BRASS PREPLATED WITH 1.27μm MIN SEMI-BRIGHT NICKEL; POST-DIPPED WITH 2μm MIN SAC 305 ALLOY LEAD FREE SOLDER (TIN PRIMARY, 3% SILVER, 0.5% COPPER)
 - CONTACT TAILS: 0.25mm THICK, PHOSPHOR BRONZE, 1.27 μm MIN OVERALL NICKEL UNDERPLATE, 3μm MIN TIN PLATE
 - MOD JACK CONTACTS: 0.25mm THICK, PHOSPHOR BRONZE, 1.27 μm MIN OVERALL NICKEL UNDERPLATE, WITH 0.76μm MIN LOCALIZED GOLD PLATE AT PLUG INTERFACE
 - LIGHT EMITTING DIODE (LED): DIFFUSED EPOXY LENS, 0.5mm X 0.5mm CARBON STEEL WIREFRAME LEADS PREPLATED WITH 2.03μm MIN. SILVER PLATE OVER 1.02μm MIN. NICKEL OVER 1.02μm MIN. COPPER UNDERPLATE; LEADS POST-PLATED WITH 3.05μm MIN. MATTE TIN.
 - LIGHT PIPE: POLYCARBONATE

△ RJ45 JACK CAVITY CONFORMS TO FCC RULES AND REGULATIONS PART 68, SUB-PART F.

- △ MAGNETICS:
 - IMPEDANCE: 100 OHMS
 - TRANSMIT OPEN CIRCUIT INDUCTANCE (OCL): 350μH (MIN) @100KHZ, 0.1 VRMS WITH 8 mA DC BIAS.
 - TURNS RATIO (CHIP:CABLE): TX 1:1, RX: 1:1
- PERFORMANCE:
 - TRANSMIT BIDIRECTIONAL ALL 4 PAIRS
 - RECEIVE BIDIRECTIONAL ALL 4 PAIRS

FREQUENCY	INSERTION LOSS (dB MAX)	RETURN LOSS (dB MIN) CIRCUIT IMPEDANCE = 100 OHMS ±15%	COMMON MODE REJECTION RATIO (dB MIN)	CROSSTALK ATTENUATION (dB MIN)
0.5 MHz-40.0 MHz	1.2	18.0	30	35
40.0 MHz-100.0 MHz	12-20 log(f/80) f IS FREQUENCY IN MHZ		33-20 log(f/50) f IS FREQUENCY IN MHZ	

ALL MAGNETIC ELECTRICAL CHARACTERISTICS RATED @ 25°C

DIELECTRIC (ISOLATION VOLTAGE):
 -2250 VDC (1 mA CUTOFF CURRENT) FOR 60 SECONDS DURATION BETWEEN CABLE CONTACTS AND PCB CONTACTS (INCLUDING SHIELD).
 -1500 VRMS (10 mA CUTOFF CURRENT) FOR 60 SECONDS DURATION BETWEEN CABLE CONTACTS AND PCB CONTACTS (INCLUDING SHIELD).
 -ALL BRIDGED ON EITHER SIDE OF MAGNETICS PACKAGE FOR RJ-45 CONTACTS.
 OPERATING TEMPERATURE: FROM 0° TO +70°C.

△ LED COMPLIANT WITH IEC60825-1 SAFETY OF LASER PRODUCTS. WHEN OPERATED UP TO 20mA.

△ LED PEAK WAVELENGTH: GREEN = 565±5nm
 YELLOW = 591±5nm
 ORANGE = 607±5nm

△ LED 2 WILL EMULATE "YELLOW" LIGHT WHEN BOTH GREEN AND ORANGE DIODES ARE DRIVEN AT CONSTANT CURRENT (20 mA RECOMMENDED) TO INDICATE THE THIRD COLOR STATES.

△ ALL DIMENSIONS NOMINAL UNLESS OTHERWISE NOTED.

8. 1840738-1 SHOWN UNLESS OTHERWISE NOTED.

△ RJ45 MOD PLUG SELECTIVE - THIS CONNECTOR UTILIZES STAINLESS STEEL SPRING MEMBER WHICH PREVENTS THE INSERTION OF A RJ11 (6 POSITION) PLUG INTO THE JACK PORT, WHILE ALLOWING A RJ45 (8 POSITION) PLUG TO MATE FREELY.

WARNING: THIS FEATURE WAS DEVELOPED FOR TYPICAL PLUG INSERTION FORCES. EXCESSIVE INSERTION FORCE MAY OVERCOME THE SELECTIVE FEATURES AND DAMAGE THE CONNECTOR.

△ APPLIES ONLY TO 1840738-3 AND 1840738-4.

△ TRP CONNECTOR LOGO, PART NUMBER, DATE CODE, PLACE OF ORIGIN, AGENCY LOGO TO BE MARKED IN APPROXIMATE LOCATION AS SHOWN.

NO	TOP ONLY	3.30	3.18	1840738-6
YES	NO	1.8	1.8	1840738-5
YES	TOP AND SIDES	3.3	3.18	1840738-4
YES	TOP AND SIDES	1.8	1.8	1840738-3
YES	TOP ONLY	1.8	1.8	1840738-2
NO	NO	3.3	3.18	1840738-1
RJ11 SELECTIVE CAPABILITY	GROUND TABS	DIM B	DIM A	PART NO.

THIS DRAWING IS A CONTROLLED DOCUMENT.

DIMENSIONS: mm	TOLERANCES UNLESS OTHERWISE SPECIFIED:	0 PLC ±0.25	1 PLC ±0.25	2 PLC ±0.25	3 PLC ±0.25	4 PLC ±0.25	ANGLES ±	FINISH
----------------	--	-------------	-------------	-------------	-------------	-------------	----------	--------

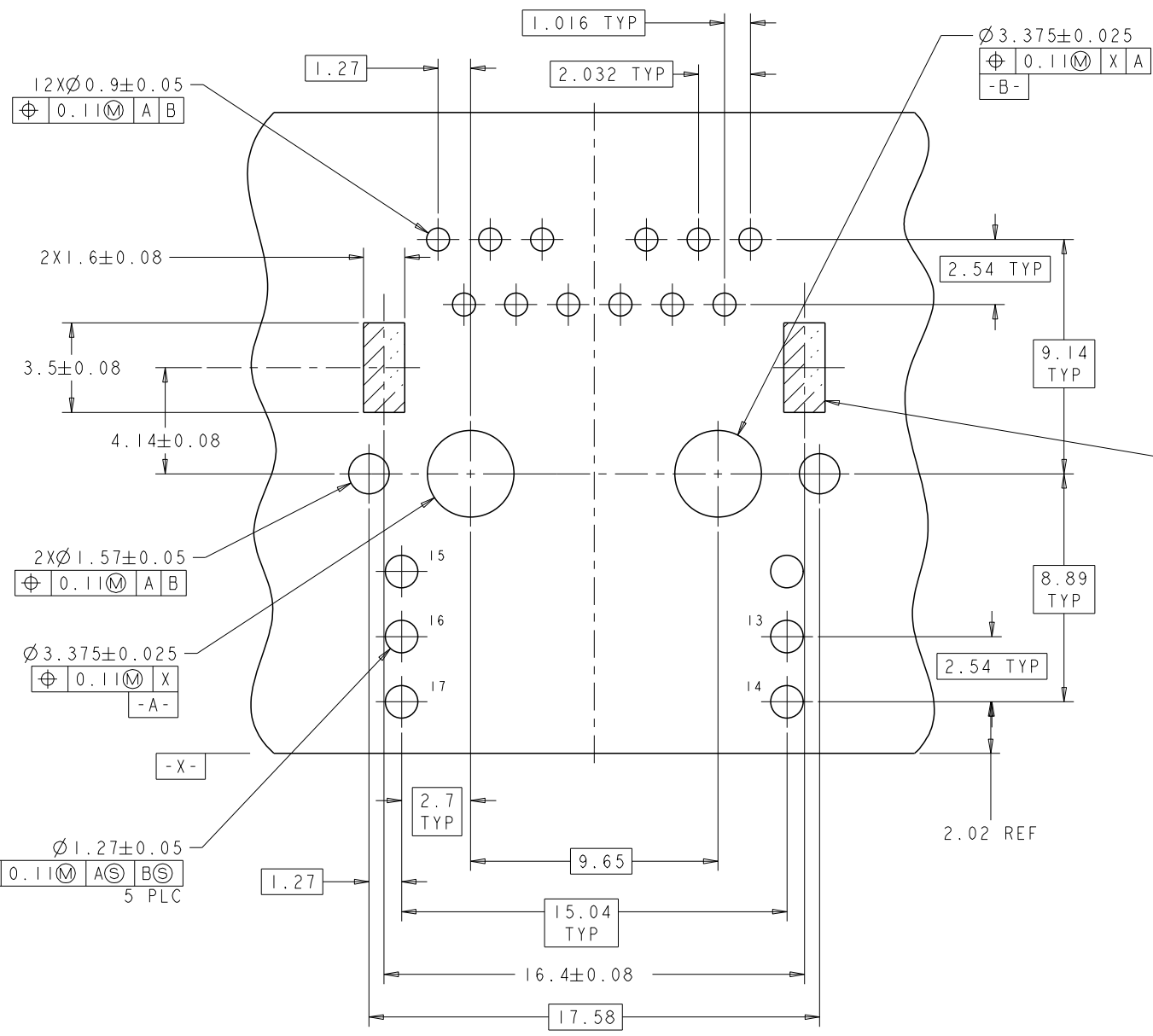
APPROVED: TOWER YU	18OCT2007	CHK: HELI ZHU	18OCT2007	APPD: TEDDY XILONG	18OCT2007
--------------------	-----------	---------------	-----------	--------------------	-----------

PRODUCT SPEC: 108-2207
 APPLICATION SPEC: 114-
 WEIGHT: -
 SCALE: NTS
 SHEET 1 OF 2
 REV D

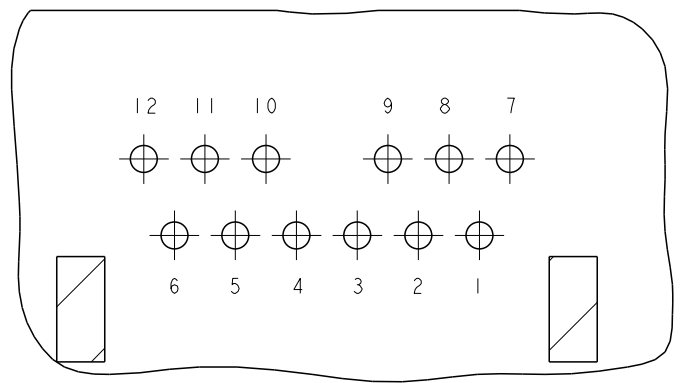
TRP connector Dongguan China

NAME: IXI MAG45(TM), JACK, IG18 GIGABIT SHIELDED, LEDS, SELECTIVE CAPABILITY

SIZE: A1
 CAGE CODE: 1840738
 CUSTOMER DRAWING

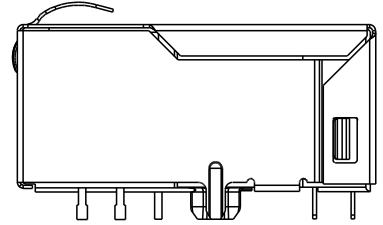


SUGGESTED PCB LAYOUT
(COMPONENT SIDE)

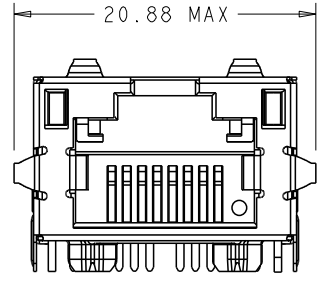


PIN DESIGNATIONS

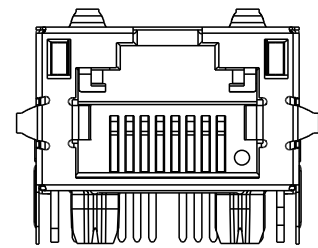
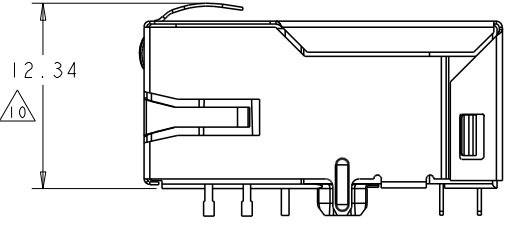
IT IS RECOMMENDED THAT SHADED AREA OF CUSTOMER PC BOARD BE CLEAR OF ANY VIA HOLE, COMPONENT AND CIRCUIT TRACE



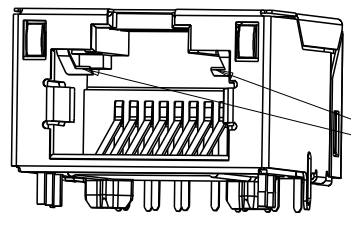
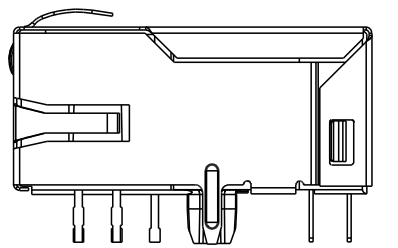
1840738-2



1840738-3

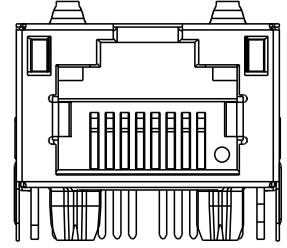


1840738-4

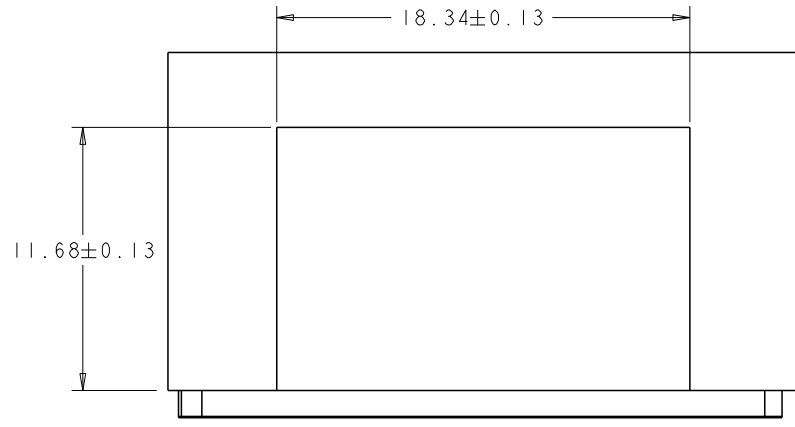
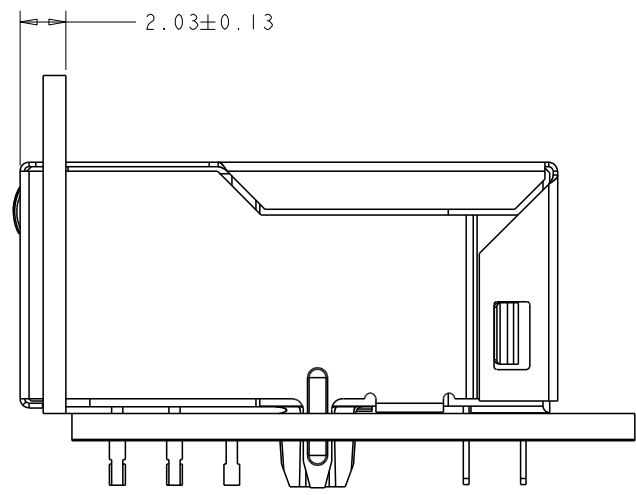


1840738-5

△ RJ45 MOD PLUG SELECTIVE SS SPRING MEMBER



1840738-6



THIS DRAWING IS A CONTROLLED DOCUMENT.		DRW: TOWER YU 180CT2007		TRP connector
DIMENSIONS: mm		CHK: WELTH ZHU 180CT2007		Dongguan China
TOLERANCES UNLESS OTHERWISE SPECIFIED:		APPD: TEDDY XILONG 180CT2007		
0 PLC ±0.25 1 PLC ±0.25 2 PLC ±0.25 3 PLC ±0.25 4 PLC ±0.25 ANGLES ±0.5	PRODUCT SPEC 108-2207 APPLICATION SPEC 114-	MATERIAL: FINISH:	NAME: IXI MAG45(TM), JACK, 1G18 GIGABIT SHIELDED, LEDS, SELECTIVE CAPABILITY SIZE: A1 CAGE CODE: C=1840738 DRAWING NO:	RESTRICTED TO:
CUSTOMER DRAWING		SCALE: NTS	SHEET: 2 OF 2	REV: D