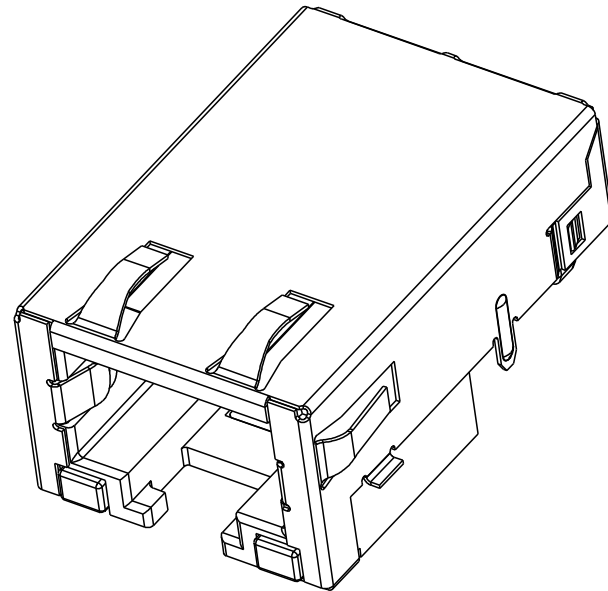
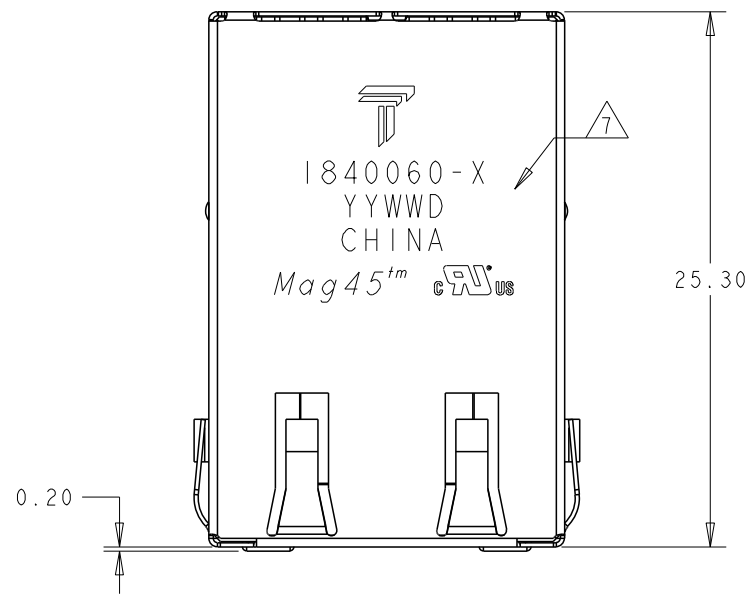


REVISIONS					
P	LTR	DESCRIPTION	DATE	DWN	APVD
4		LOGO CHANGE	27APR2013	TY	KZ



- 1 MATERIALS
 HOUSING: HIGH TEMPERATURE NYLON (FR52G30BL), BLACK, FLAMMABILITY RATING UL 94V-0.
 SHIELD: BRASS, 0.20mm THICK, PREPLATED WITH MIN 0.76um SEMI-BRIGHT NICKEL;
 POST DIPPED WITH 2.54um MIN SAC SOLDER AT GROUND PINS.
 CONTACT: PHOSPHOR BRONZE, 0.25mm THICK
 WITH 1.27um MIN OVERALL NICKEL UNDERPLATE AND
 SELECTIVE 1.27um MIN GOLD PLATING AT MATING INTERFACE
 SOLDER TAIL: 0.25mm THICK, PHOSPHOR BRONZE, 1.27um MIN OVERALL NICKEL UNDERPLATE,
 3 um MIN MATTE TIN PLATE.
 LED: DIFFUSED EPOXY LENS, 0.50mm SQUARE CARBON STEEL WIREFRAME LEADS
 PREPLATED WITH 2.03um MIN SILVER OVER 1.02um MIN NICKEL UNDERPLATE
 OVER 1.02um MIN COPPER UNDERPLATE; POST PLATED WITH 2.54um MIN MATTE TIN.

- 2 RJ45 CAVITY CONFORMS TO FCC RULES AND REGULATION PART 68 SUBPART F.

- 3 MAGNETICS
 -APPLICATION: 10/100/1000 BASE-T
 -IMPEDANCE: 100 OHMS
 -TURNS RATIO (CHIP:CABLE): 1:1 ALL FOUR PAIRS
 -OPEN CIRCUIT INDUCTANCE (OCL): 350uH MIN @100kHz, 0.1VRMS,
 8mADC BIAS FROM 0°C TO 70°C, ALL FOUR PAIRS
 -ALL FOUR PAIRS BI-DIRECTIONAL
 -PERFORMANCE @ 25°C:
 INSERTION LOSS (IL): 1.1dB MAX FROM 0.5MHz TO 100MHz
 RETURN LOSS (RL): 18dB MIN FROM 0.5MHz TO 40MHz
 12-20LOG(f/80)dB MIN FROM 40.1MHz TO 100MHz
 CROSSTALK ATTENUATION: 35dB MIN FROM 0.5MHz TO 40MHz
 33-20LOG(f/50)dB MIN FROM 40.1MHz TO 100MHz
 COMMON MODE REJECTION RATIO (CMRR): 30dB MIN FROM 0.5MHz TO 100MHz

4. OPERATING TEMPERATURE: 0°C - 70°C.

- 5 THE MAGNETIC CIRCUIT ARE SYMMETRICAL AND SUPPORT AUTO-MDIX OPERATION.

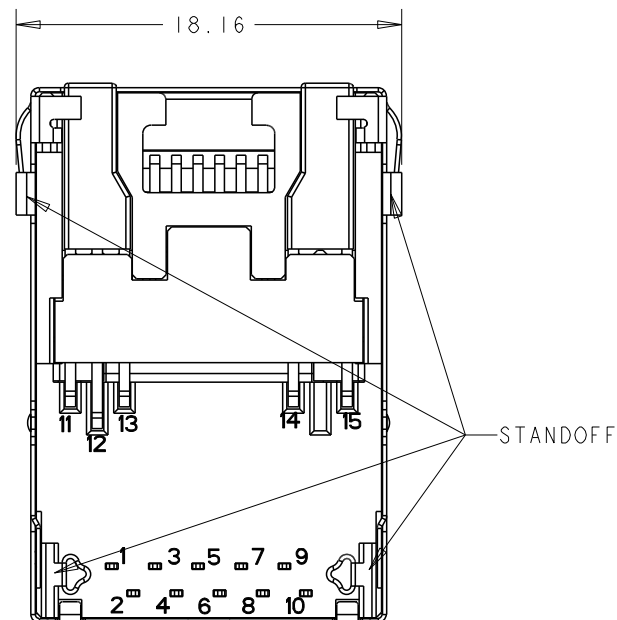
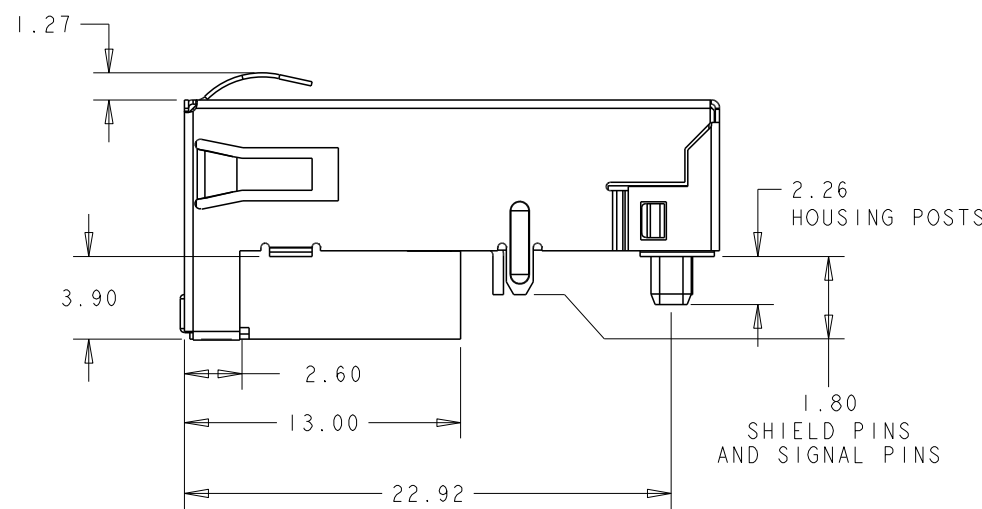
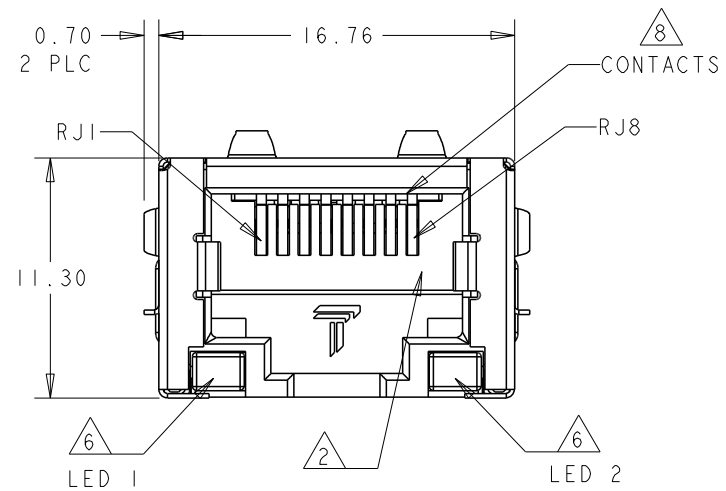
- 6 LEDS ARE DRIVEN WITH CONSTANT CURRENT AT APPROX 20mA.
 LED COLOR: DOMINANT WAVELENGTH (λD): GREEN 568 nm TYP. at IF=20mA
 FORWARD VOLTAGE (VF): GREEN 2.2V TYP. at IF=20mA
 DOMINANT WAVELENGTH (λD): YELLOW 588 nm TYP. at IF=20mA
 FORWARD VOLTAGE (VF): YELLOW 2.1V TYP. at IF=20mA
 DOMINANT WAVELENGTH (λD): ORANGE 610 nm TYP. at IF=20mA
 FORWARD VOLTAGE (VF): ORANGE 2.1V TYP. at IF=20mA

- 7 TRP CONNECTOR LOGO, PART NUMBER, DATE CODE, COUNTRY OF ORIGIN, AGENCY LOGO TO BE MARKED IN APPROXIMATE LOCATION SHOWN. THIS PRINT PART NUMBER IS ONLY FOR REFERENCE, PLEASE REFER TO BELOW TABLE FOR ACTUAL ONE.

- 8 THIS CONNECTOR CAN PREVENTS THE INSERTION OF RJ11 (6 POSITION) PLUG INTO THE JACK, IF THE INSERTION FORCE MORE THAN 3.2kgf THAT MAY OVERCOME THE SELECTIVE FEATURES AND DAMAGE THE CONNECTOR.

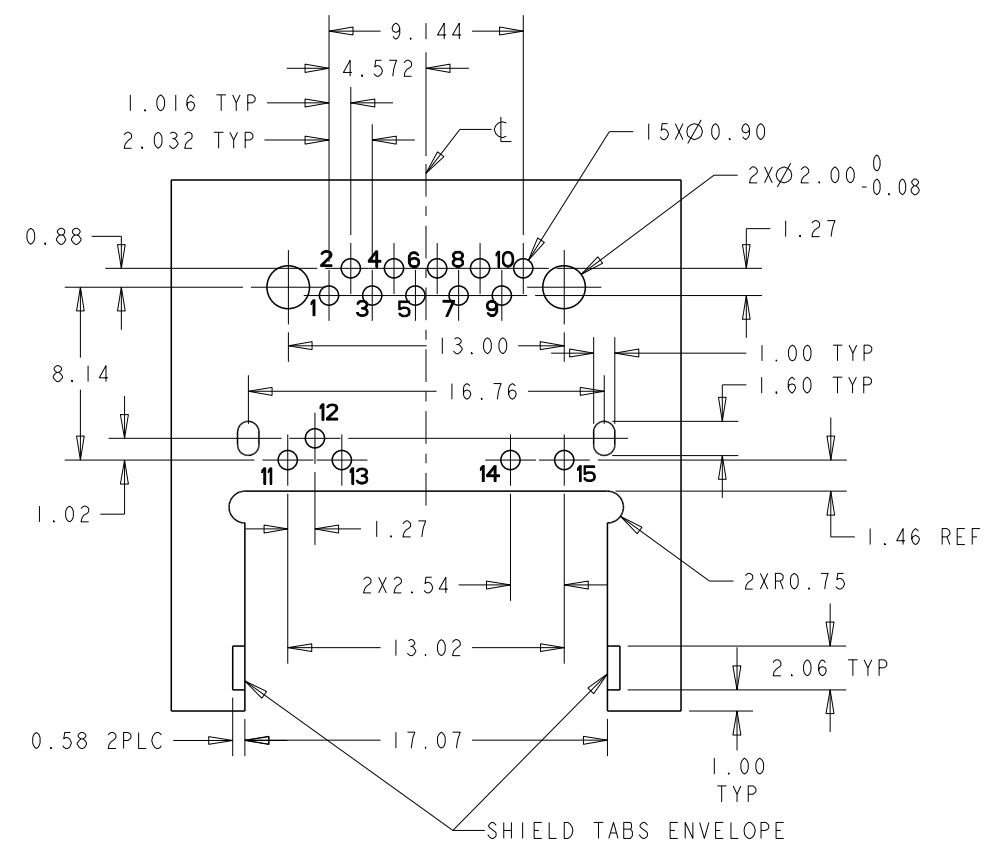
- 9 ESD (4 PLC) & R5 ARE OPTIONAL, PLEASE SEE TABLE FOR PRESENCE OR ABSENCE IN EACH PART NUMBER.

10. THE PART IS COMPLIANT TO BOTH WAVE SOLDERING PROCESS, PREHEAT TEMPERATURE IS ABOVE 150°C, 120 SECONDS TO 180 SECONDS, PEAK SOLDERING TEMPERATURE IS 260°C MAX, 10 SECONDS MAX; AND IR REFLOW SOLDERING PROCESS, PEAK SOLDERING TEMPERATURE 260°C MAX DURATION TIME 10 SECONDS MAX, OVER 230°C WITHIN 40-60 SECONDS.

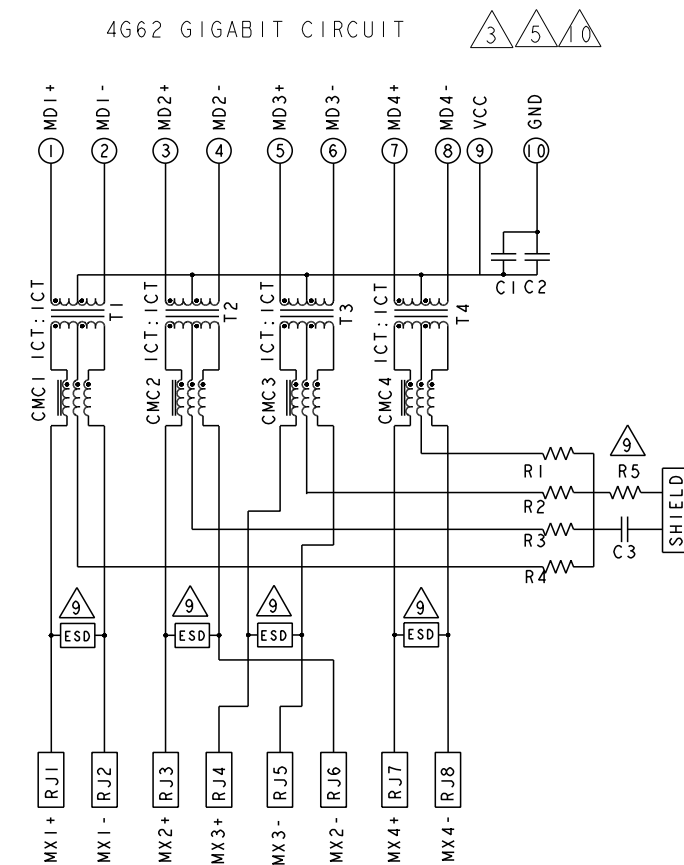


WITH ESD & R5	GREEN/ORANGE	YELLOW	1840060-1
ESD (4 PLC) & R5 OPTION	LED1	LED2	PART NUMBER

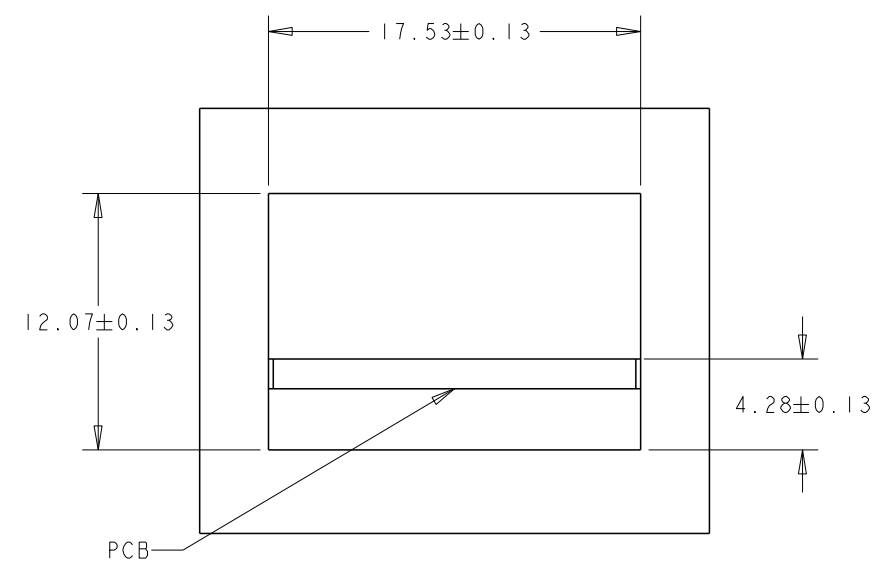
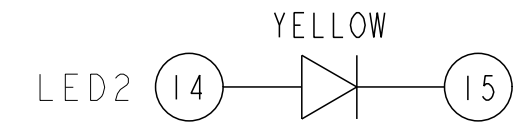
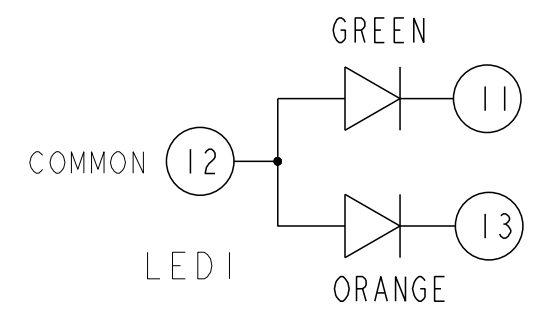
THIS DRAWING IS A CONTROLLED DOCUMENT.		DWN ROY LIU/FRANK LIU 30MAR2011	TRP connector Dongguan China	
DIMENSIONS: mm		CHK TOWER YU 30MAR2011	NAME 1X1 MAG45(TM), JACK, 4G62 GIGABIT ESD PROTECTION, SHIELDED, LEDS	
TOLERANCES UNLESS OTHERWISE SPECIFIED: 0 PLC ±0.25 1 PLC ±0.25 2 PLC ±0.25 3 PLC ±0.25 4 PLC ± ANGLES ± FINISH		APVD KEITH ZHU 30MAR2011	PRODUCT SPEC -	RESTRICTED TO
MATERIAL		APPL. SPEC -	SIZE A2	CAGE CODE -
DRAWING NO. C=1840060		WEIGHT -	DRAWING NO. -	SCALE 2:1
CUSTOMER DRAWING		SHEET 1 OF 3		REV 4



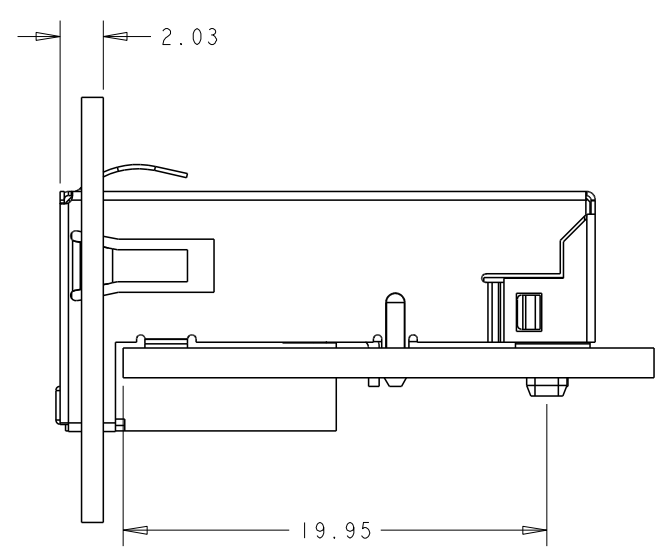
SUGGESTED PCB LAYOUT (TOL:±0.05)
COMPONENT SIDE VIEW



C1-C2 = 0.1uF CAPACITOR
C3 = 1000pF 2KV, CAPACITOR
R1-R4 = 75 Ohms, RESISTOR
R5 = 1M Ohms, RESISTOR




SUGGESTED PANEL CUTOUT



CONNECTOR ASSEMBLED TO PANEL AND PCB

THIS DRAWING IS A CONTROLLED DOCUMENT.		DWN ROY LIU/FRANK LIU 30MAR2011	TRP connector Dongguan China	
DIMENSIONS: mm		CHK TOWER YU 30MAR2011		
TOLERANCES UNLESS OTHERWISE SPECIFIED:		APVD KEITH ZHU 30MAR2011	NAME 1X1 MAG45(TM), JACK, 4G62 GIGABIT ESD PROTECTION, SHIELDED, LEDS	
0 PLC ±0.25 1 PLC ±0.25 2 PLC ±0.25 3 PLC ±0.25 4 PLC ±0.25 ANGLES ± FINISH ±		PRODUCT SPEC -	SIZE A2	CAGE CODE C=1840060
MATERIAL 1		APPLICATION SPEC -	RESTRICTED TO -	SCALE 2:1
		WEIGHT -	SHEET 2 OF 3	
		CUSTOMER DRAWING		REV 4

1840060					STOCK DISPOSTION			
REVISION HISTORY					A:CONTINUE AS IS B:REWORK C:SCRAP		D:USE OLD FIRST E:PART TO CONFORM F:OTHER	
DATE	REV	CHANGE	REASON	APPROVAL	INVENTORY (A,B,C,D,E,G)	INVENTORY (A,B,C,D,E,G)	INVENTORY (A,B,C,D,E,G)	INVENTORY (A,B,C,D,E,G)
30MAR2011	1		INITIAL RELEASE	KEITH ZHU	-	-	-	-
31MAR2011	2	SHEET 1, D3: CHANGE 25.20 TO 25.30	PRODUCT IMPROVEMENT	KEITH ZHU	-	-	-	-
06OCT2011	3	TITLE BLOCK, CHANGE "WITH ESD ONLY" TO "WITH ESD & R5" SHEET 1, C4: CHANGE 1.27 TO 0.7 NOTE 10: CORRECT WAVE SOLDERING TEMPERATURE FROM 265C TO 260C REMOVE NOTE OF ISOLATION VOLTAGE TEST	CUSTOMER REQUEST	KEITH ZHU	-	-	-	-
28APR2013	4	COMPANY LOGO CHANGE	MARKET REQUEST	KEITH ZHU	-	-	-	-

THIS DRAWING IS A CONTROLLED DOCUMENT.		DWN ROY LIU/FRANK LIU 30MAR2011	 TRP connector Dongguan China	
DIMENSIONS: mm		CHK TOWER YU 30MAR2011		
TOLERANCES UNLESS OTHERWISE SPECIFIED: 0 PLC ±0.25 1 PLC ±0.25 2 PLC ±0.25 3 PLC ±0.25 4 PLC ± ANGLES ± FINISH		APVD KEITH ZHU 30MAR2011	NAME 1X1 MAG45(TM), JACK, 4G62 GIGABIT ESD PROTECTION, SHIELDED, LEDS	
MATERIAL 1		PRODUCT SPEC -	APPLICATION SPEC -	RESTRICTED TO -
		WEIGHT -	SIZE A2	DRAWING NO C=1840060
		CUSTOMER DRAWING	SCALE 2:1	SHEET 3 OF 3 REV 4