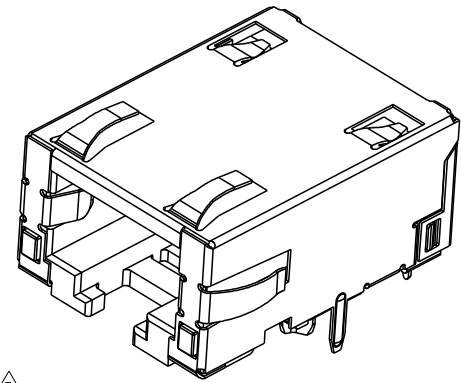
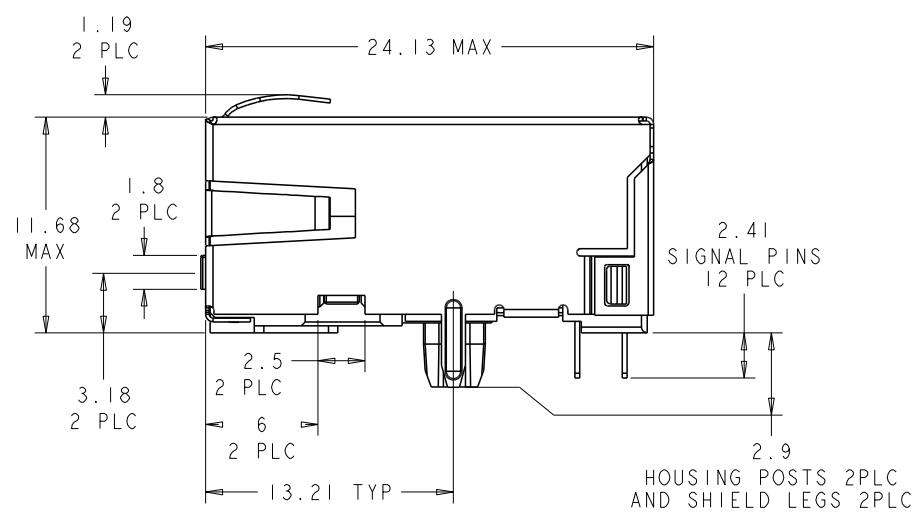
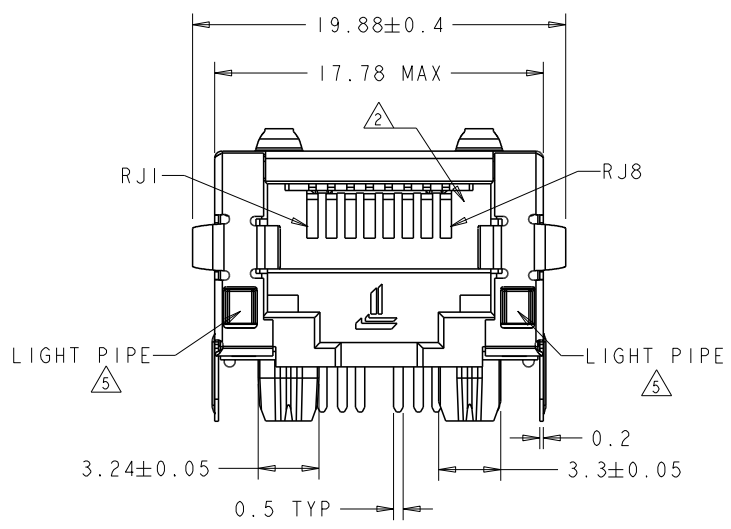
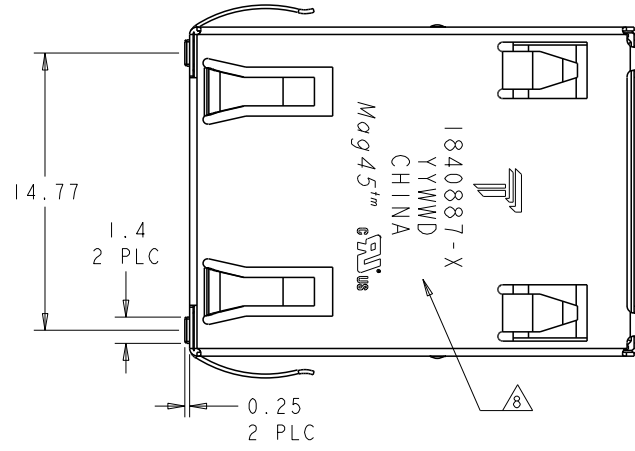


REVISIONS				
P	LYR	DESCRIPTION	DATE	APPD
3		LOGO CHANGE	27APR2013	TY KZ



⑦ RJ45 MOD PLUG SELECTIVE SS SPRING MEMBER



- ① MATERIALS:  
 -HOUSING: HIGH TEMPERATURE NYLON, BLACK, UL 94V-0  
 -SHIELD: 0.20mm THICK, BRASS PREPLATED WITH 0.76 um MIN SEMI-BRIGHT NICKEL; POST-DIPPED WITH 2 um MIN SAC 305 ALLOY LEAD FREE SOLDER (TIN PRIMARY, 3% SILVER, 0.5% COPPER)  
 -CONTACT TAILS: 0.25mm THICK, PHOSPHOR BRONZE, 1.27 um MIN OVERALL NICKEL UNDERPLATE, 3 um MIN TIN PLATE  
 -MOD JACK CONTACTS: 0.25mm THICK, PHOSPHOR BRONZE, 1.27 um MIN OVERALL NICKEL UNDERPLATE, WITH 0.76um MIN LOCALIZED GOLD PLATE AT PLUG INTERFACE  
 -LIGHT PIPE: POLYETHER SULFONE

② RJ45 JACK CAVITY CONFORMS TO FCC RULES AND REGULATIONS PART 68, SUB-PART F.

- ③ MAGNETICS:  
 -APPLICATION: 10/100/1000 BASE-T  
 -IMPEDANCE: 100 OHMS  
 -TURNS RATIO (CHIP:CABLE): 1:1 ALL FOUR PAIRS  
 -OPEN CIRCUIT INDUCTANCE (OCL): 350uH MIN @100kHz, 0.1VRMS, 8mADC BIAS FROM 0°C TO 70°C, ALL FOUR PAIRS  
 -ALL FOUR PAIRS BI-DIRECTIONAL  
 -PERFORMANCE @ 25°C:  
 INSERTION LOSS (IL): 1.1dB MAX FROM 0.5MHz TO 100MHz  
 RETURN LOSS (RL): 18dB MIN FROM 0.5MHz TO 40MHz  
 12-20LOG(f/80)dB MIN FROM 40.1MHz TO 100MHz  
 CROSSTALK ATTENUATION: 35dB MIN FROM 0.5MHz TO 40MHz  
 33-20LOG(f/50)dB MIN FROM 40.1MHz TO 100MHz  
 COMMON MODE REJECTION RATIO (CMRR): 30dB MIN FROM 0.5MHz TO 100MHz  
 -ISOLATION VOLTAGE: 2250VDC (MAX) FOR 60 SECONDS WITH A RISE TIME OF 500V/SEC

④ OPERATING TEMPERATURE: FROM 0°C TO 70°C

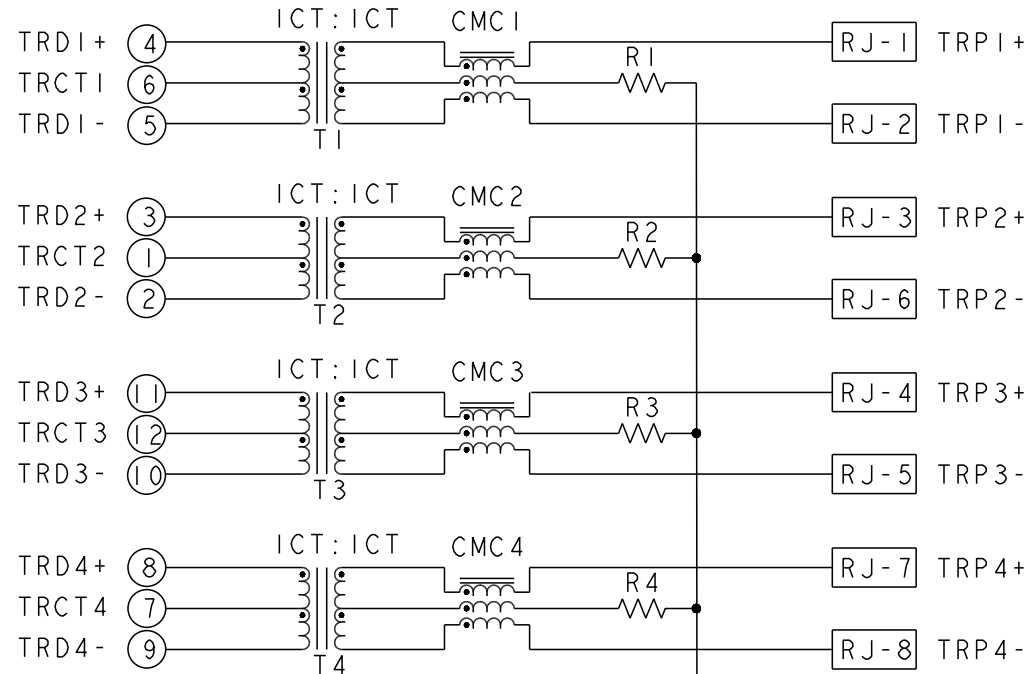
⑤ LIGHT PIPES ARE USED TO TRANSMIT LIGHT OF SMD LED'S MOUNTED ON CUSTOMER BOARD.

⑥ ALL DIMENSIONS ARE NOMINAL UNLESS OTHERWISE NOTED.

⑦ RJ45 MOD PLUG SELECTIVE - THIS CONNECTOR UTILIZES STEEL SPRING MEMBER WHICH PREVENTS THE INSERTION OF A RJ11 (6 POSITION) PLUG INTO THE JACK PORT, WHILE ALLOWING A RJ45 ( 8 POSITION) PLUG TO MATE FREELY.  
 WARNING: THIS FEATURE WAS DEVELOPED FOR TYPICAL PLUG INSERTION FORCES. EXCESSIVE INSERTION FORCE MAY OVERCOME THE SELECTIVE FEATURES AND DAMAGE THE CONNECTOR.

⑧ TRP CONNECTOR LOGO, PART NUMBER, DATE CODE, COUNTRY OF ORIGIN, AND AGENCY APPROVAL MARKING IN APPROXIMATE LOCATION SHOWN

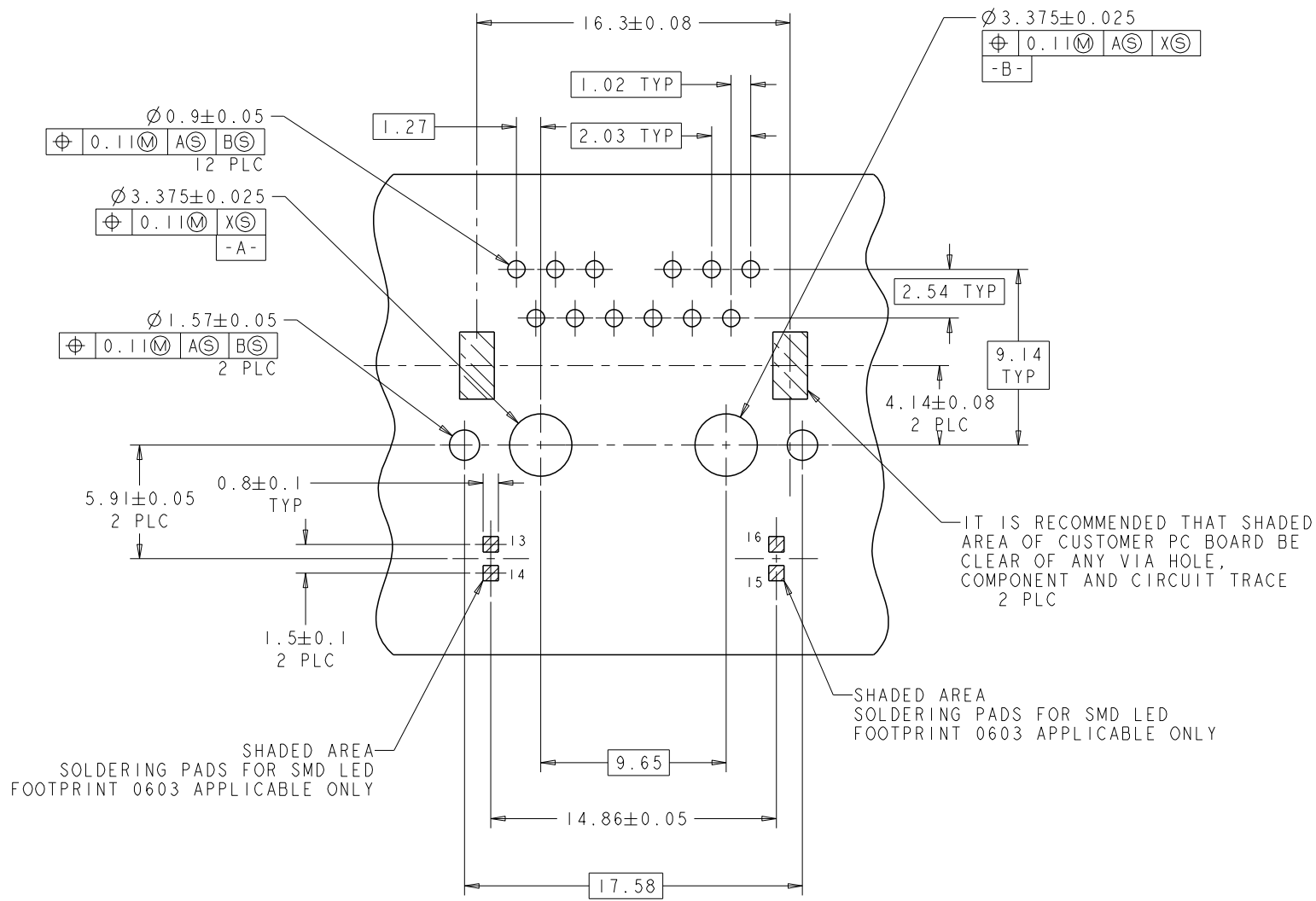
8G92 GIGABIT CIRCUIT ③④



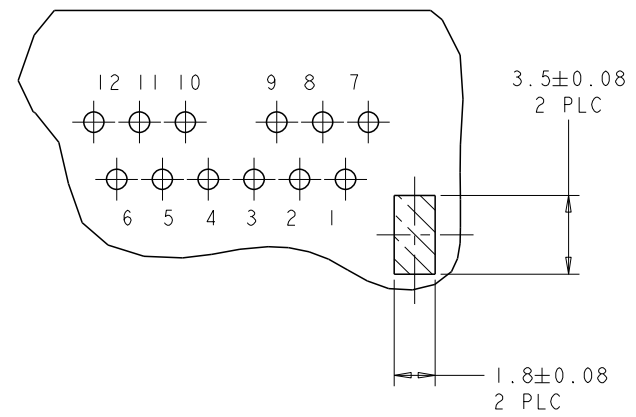
C1=1000pF, 2kV,CAPACITOR  
 R1-R4 = 75 Ohms,RESISTORS

1840887-1  
 PART NO.

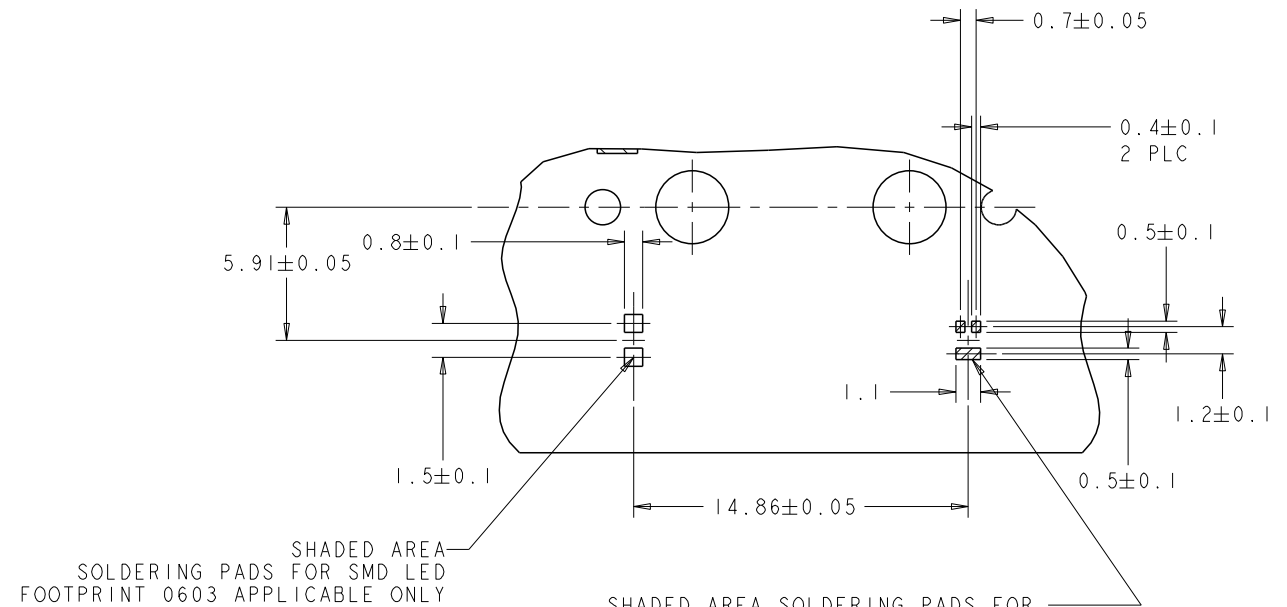
THIS DRAWING IS A CONTROLLED DOCUMENT.		DWN 03MAR2011 ROY LIU/COLIN ZHOU		TRP connector Dongguan China	
DIMENSIONS: mm		TOLERANCES UNLESS OTHERWISE SPECIFIED:		PRODUCT SPEC	
0 PLC	±	1 PLC	±0.25	NAME	1X1 MAG45(TM),8G92 GIGABIT
2 PLC	±	3 PLC	±0.25	APPLICATION SPEC	SHIELDED,LIGHT PIPE,W/O LED,TAB DOWN
4 PLC	±	ANGLES	±	SIZE	A1
MATERIAL	①	FINISH	①	WEIGHT	-
CUSTOMER DRAWING				SCALE	NTS
				SHEET	1 OF 3
				REV	3



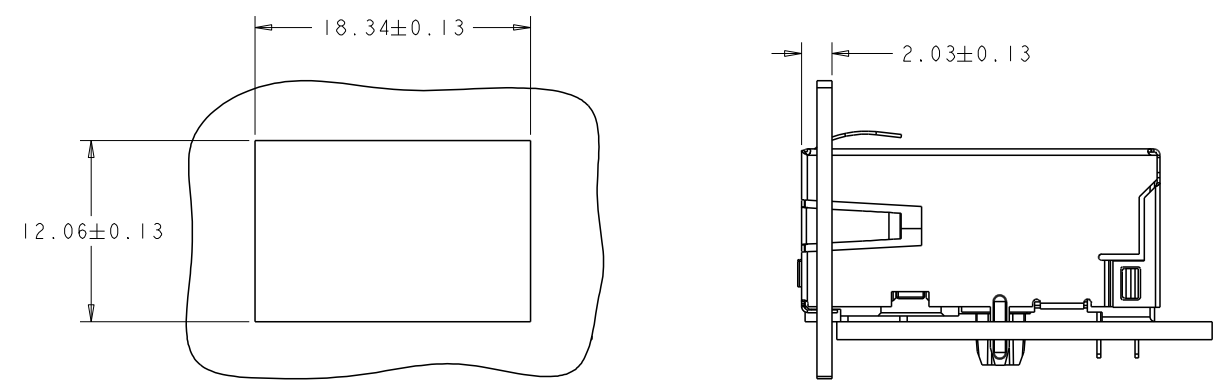
SUGGESTED PCB LAYOUT FOR SINGLE COLOR LED (COMPONENT SIDE)



PIN DESIGNATIONS



SUGGESTED PCB LAYOUT FOR BI-COLOR LED (COMPONENT SIDE)



SUGGESTED PANEL OPENING

THIS DRAWING IS A CONTROLLED DOCUMENT.		DRW: 03MAR2011 ROY LIU/COLIN ZHOU		TRP connector Dongguan China
DIMENSIONS: mm		CHK: 03MAR2011 TOWER YU		NAME: 1X1 MAG45(TM), 8G92 GIGABIT SHIELDED, LIGHT PIPE, W/O LED, TAB DOWN
TOLERANCES UNLESS OTHERWISE SPECIFIED:		APPD: 03MAR2011 KEITH ZHU	PRODUCT SPEC	SIZE: A1
0 PLC ±0.25			APPLICATION SPEC	DRAWING NO: C=1840887
1 PLC ±0.25			APPLICABLE SPEC	RESTRICTED TO: -
2 PLC ±0.25			WEIGHT	SCALE: NTS
3 PLC ±0.25			FINISH	SHEET 2 OF 3
4 PLC ±0.25			MATERIAL	REV 3
ANGLES ±0.25			CUSTOMER DRAWING	

1840887_C					STOCK DISPOSITION			
REVISION HISTORY					A: CONTINUE AS IS	D: USE OLD FIRST		
					B: REWORK	E: PARTS TO CONFORM		
					C: SCRAP	F: OTHER		
DATE	REV	CHANGES	REASON	APPROVAL	INVENTORY (A,B,C,D,E,F)	WORK IN PROCESS (A,B,C,F)	SUPPLIER ORDERS (A,E,F)	OPEN CUST ORDERS (A,E,F)
03MAR2011	1	INITIAL RELEASE	-	KEITH ZHU	-	-	-	-
15MAR2011	2	SHEET1,B5:CHANGE DIMENSION 1.8mm TO 2.9mm, C5:CHANGE DIMENSION 1.8mm TO 2.41mm, C6:CHANGE DIMENSION 2.8mm TO 3.18mm,D5:CHANGE LOGO FROM TE ELECTRONICS TO TE CONNECTIVITY.	REDESIGN	KEITH ZHU	-	-	-	-
27APR2013	3	COMPANY LOGO CHANGE	MARKET REQUEST	KEITH ZHU	-	-	-	-

THIS DRAWING IS A CONTROLLED DOCUMENT.

DIMENSIONS: mm		TOLERANCES UNLESS OTHERWISE SPECIFIED:		DWN 03MAR2011 ROY LIU/COLIN ZHOU		TRP connector Dongguan China	
0 PLC ±		1 PLC ±0.25		CHK 03MAR2011 TOWER YU		NAME IXI MAG45(TM), 8G92 GIGABIT SHIELDED, LIGHT PIPE, W/O LED, TAB DOWN	
2 PLC ±		3 PLC ±		APPD 03MAR2011 KEITH ZHU		APPLICATION SPEC	
4 PLC ±		ANGLES ±		PRODUCT SPEC		SIZE CAGE CODE DRAWING NO	
MATERIAL		FINISH		WEIGHT		RESTRICTED TO	
:		:		:		A1 C=1840887	
CUSTOMER DRAWING				SCALE NTS		SHEET 3 OF 3 REV 3	