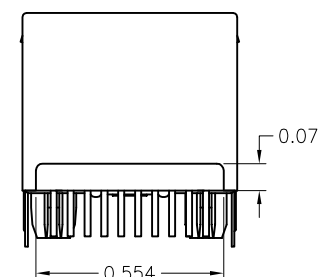
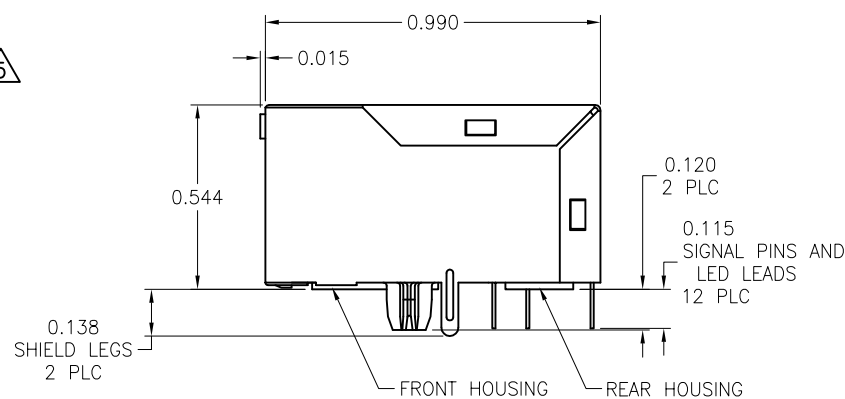
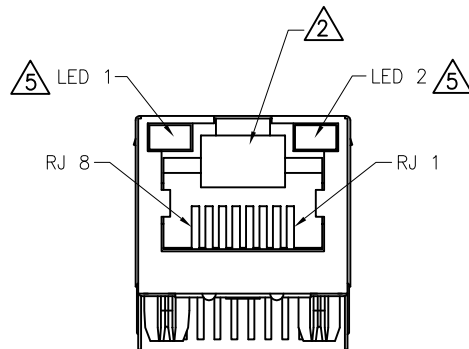
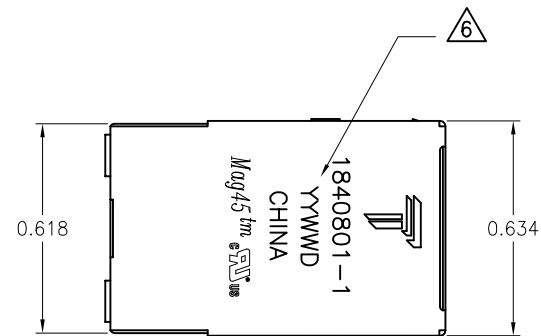
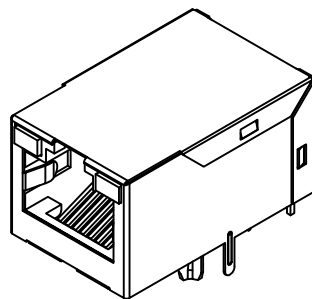


REVISIONS					
#	DATE	DESCRIPTION	BY	CHK	APP'D
B	23APR2013	LOGO CHANGE	JC	KZ	

MECHANICAL:



- △ MATERIALS:
 -HOUSING- THERMOPLASTIC, FLAMMABILITY RATING UL 94V-0
 -SHIELD- 0.008 INCH THICK, C26800 BRASS PREPLATED WITH 30μINCH MIN SEMI-BRIGHT NICKEL; SOLDER TABS POST-DIPPED WITH 100 μINCH MIN SAC SOLDER.
 -CONTACTS- .0157 INCH x .018 INCH THICK, PHOSPHOR BRONZE, 50μINCH MIN OVERALL NICKEL UNDERPLATE, WITH SELECT 50μINCH MIN HARD GOLD FINISH PLATE.
 -SOLDERTAILS- PLATED WITH 100 μINCH MIN MATTE TIN AND/OR SAC SOLDER DIP.
 -LIGHT EMITTING DIODE(LED)- DIFFUSED EXPOXY LENS, .020" x .020" CARBON STEEL WIREFRAME LEADS PREPLATED WITH 80 μINCH SILVER OVER 40 μINCH NICKEL UNDERPLATER 40μINCH COPPER UNDERPLATE; POST-PLATED WITH 100 μINCH MIN MATTE TIN AND/OR SAC SOLDER DIP OR PURE TIN SOLDER DIP.

△ RJ45 JACK CAVITY CONFORMS TO FCC RULES AND REGULATIONS PART 68, SUBPART F.

- △ MAGNETICS
 -APPLICATION: 10/100 BASE-T
 -IMPEDANCE: 100 OHMS
 -TURNS RATIO (CHIP:CABLE): TX = 1:1, RX = 1:1
 -OPEN CIRCUIT INDUCTANCE (OCL): 350uH MIN @100kHz, 0.1VRMS, 8mADC BIAS FROM -40°C TO 85°C, TX AND RX
 -PERFORMANCE @ 25°C:
 INSERTION LOSS (IL):1.1dB MAX FROM 0.5MHz TO 100MHz
 RETURN LOSS (RL): 18dB MIN FROM 0.5MHz TO 30MHz
 18-20LOG(f/30)dB MIN FROM 30.1MHz TO 60MHz
 12dB MIN FROM 60.1MHz TO 80MHz
 CROSSTALK ATTENUATION: 35dB MIN FROM 0.5MHz TO 40MHz;
 33-20LOG(f/50)dB MIN FROM 40.1MHz TO 100MHz
 COMMON MODE REJECTION RATIO (CMRR): 30dB MIN FROM 0.5MHz TO 100MHz
 -ISOLATION VOLTAGE:2250VDC (MAX) FOR 60 SECONDS WITH A RISE TIME OF 500V/SEC.

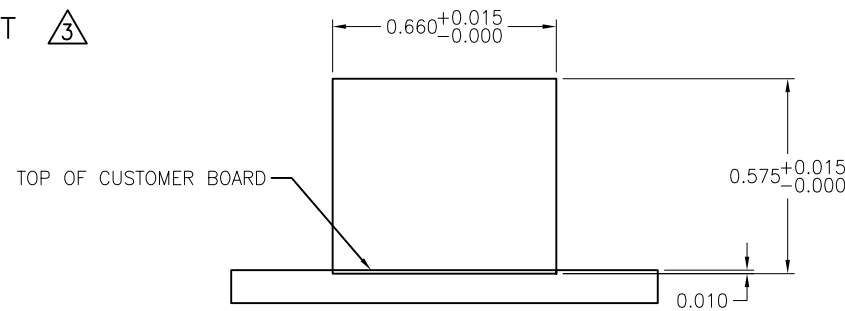
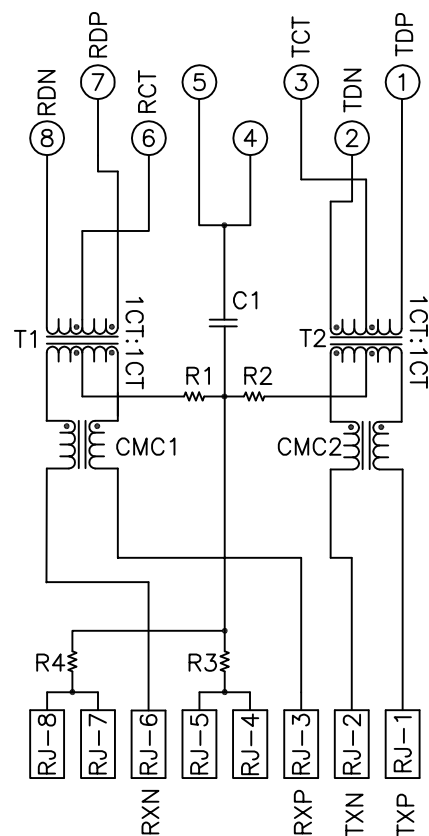
4. OPERATING TEMPERATURE: FROM -40°C TO 85 °C.

- △ THE 250 OHM RESISTOR IS OPTIONAL, PLEASE SEE CHART FOR PRESENCE OR ABSENCE OF LED RESISTORS.
 IF LEDS WITHOUT 250 OHM RESISTOR, LEDES ARE DRIVEN WITH CONSTANT CURRENT AT APPROX 20 mA
 LED COLOR: DOMINANT WAVELENGTH (λD): GREEN 568 nm TYP @ IF=20 mA
 FORWARD VOLTAGE (VF): GREEN 2.2V TYP @ IF=20 mA
 DOMINANT WAVELENGTH (λD): YELLOW 588 nm TYP @ IF=20 mA
 FORWARD VOLTAGE (VF): YELLOW 2.1V TYP @ IF=20 mA
 IF LEDS WITH BUILT-IN RESISTOR, LEDES ARE DRIVEN WITH 5V VOLTAGE AND THE MAX OPERATING CURRENT IS 20mA.
 LED COLOR: DOMINANT WAVELENGTH (λD): GREEN 568 nm TYP @ VF=5V
 FORWARD CURRENT (IF): GREEN 12mA TYP @ VF=5V
 DOMINANT WAVELENGTH (λD): YELLOW 588 nm TYP @ VF=5V
 FORWARD CURRENT (IF): YELLOW 13mA TYP @ VF=5V

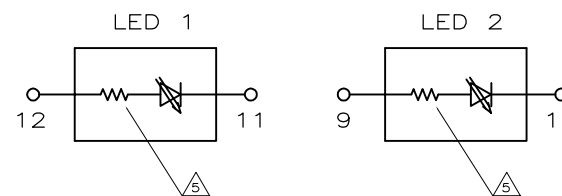
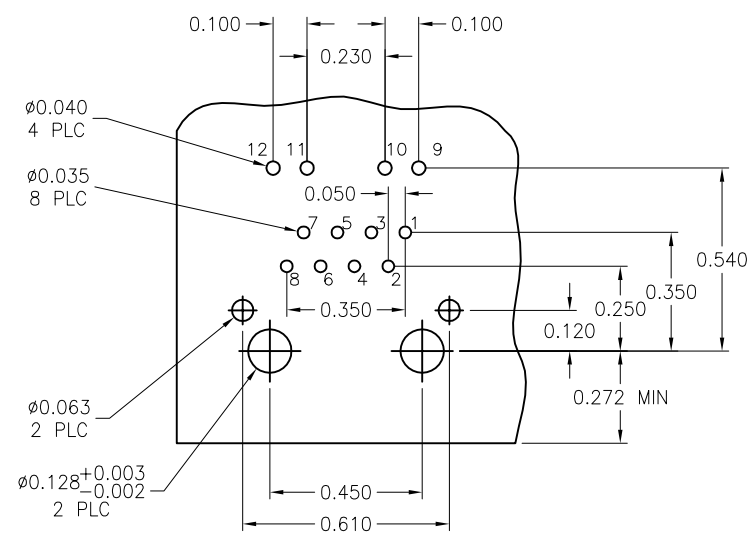
- △ TRP CONNECTOR LOGO, PART NUMBER, DATE CODE, COUNTRY OF ORIGIN AND AGENCY APPROVAL MARKING IN APPROXIMATE LOCATION SHOWN.
 DATE CODE: YYWW "YY" IS YEAR, "WW" IS WEEK, "D" IS DAY OF WEEK, WITH SUNDAY=1
 7. THESE PARTS ARE RECOMMENDED FOR WAVE SOLDERING PROCESS, PEAK WAVE SOLDERING TEMPERATURE IS 260°C MAX, 10 SECONDS MAX.

ELECTRICAL:

726P11ET 10/100 BASE-T CIRCUIT △



SUGGESTED PANEL CUTOUT



LED CONFIGURATION

R1-R4=75 Ohms, 1/16W RESISTORS
 C1=1000pF, 2kV DECOUPLING CAPACITOR

BLACK	RED	GREEN	NO	YELLOW	NO	2-1840801-1
BLACK	BLUE	GREEN	NO	YELLOW	NO	1840801-2
BLACK	BLACK	GREEN	YES	YELLOW	YES	1-1840801-1
BLACK	BLACK	GREEN	NO	YELLOW	NO	1840801-1
REAR HOUSING	FRONT HOUSING	LED 1	250 OHMS RESISTOR △	LED 2	250 OHMS RESISTOR △	PART NUMBER

THIS DRAWING IS A CONTROLLED DOCUMENT.		DRN: ROY LIU/RYAN YIN 27AAL2010	TRP connector Dongguan China	
DIMENSIONS: INCHES		CHK: TOWER YU 27AAL2010	APPROVAL MARKING	
TOLERANCES UNLESS OTHERWISE SPECIFIED:		APP'D: KEITH ZHU 27AAL2010	NAME: 1X1 MAG45(TM) MODULAR JACK 726P11ET 10/100BASE-T CIRCUIT SHIELDED, W/ LEDES	
0 PLC ± 0.010 1 PLC ± 0.010 2 PLC ± 0.010 3 PLC ± 0.010 4 PLC ± 0.010 ANGLES ± -		PRODUCT SPEC: 108-2100	SIZE: A1	RESTRICTED TO: -
MATERIAL: △		FINISH: △	WEIGHT: -	SCALE: 1:1
CUSTOMER DRAWING		DRAWING NO: C=1840801		SHEET 1 OF 1 REV B