



Solid State Devices, Inc.

14830 Valley View Blvd * La Mirada, Ca 90638

Phone: (562) 404-7855 * Fax: (562) 404-1773

ssdi@ssdi-power.com * www.ssdi-power.com

SDR4006HF Series

Electrical Characteristic		Symbol	Min	Max	Units
Instantaneous Forward Voltage Drop ($T_A = 25^\circ\text{C}$, 300 – 500 μsec Pulse)	$I_F = 10\text{ A}$	V_{F1}		1.35	V_{DC}
	$I_F = 20\text{ A}$	V_{F2}	—	1.50	
	$I_F = 40\text{ A}$	V_{F3}		1.75	
Instantaneous Forward Voltage Drop ($I_F = 20\text{ A}$, 300 – 500 μsec Pulse)	$T_A = -55^\circ\text{C}$	V_{F3}	—	1.65	V_{DC}
	$T_A = 100^\circ\text{C}$	V_{F4}		1.32	
Reverse Leakage Current (100% of Rated V_R , 300 μs pulse min.)	$T_A = 25^\circ\text{C}$	I_{R1}	—	50	μA
	$T_A = 100^\circ\text{C}$	I_{R2}	—	5,000	μA
Reverse Recovery Time ($I_F = 0.5\text{ A}$, $I_R = 1\text{ A}$, $I_{RR} = 0.25\text{ A}$, $T_A = 25^\circ\text{C}$)		t_{RR}	—	35	nsec
Junction Capacitance ($V_R = 10V_{DC}$, $T_A = 25^\circ\text{C}$, $f = 1\text{ MHz}$)		C_J	—	80	pF

NOTES:

1/ For Ordering Information, Price, and Availability Contact Factory.

Available Part Numbers:

SDR4004HFN, SDR4004HFP

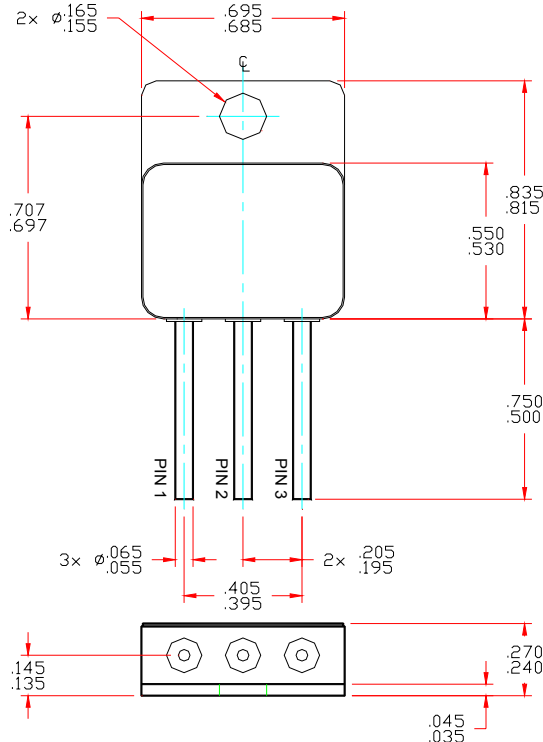
SDR4005HFN, SDR4005HFP

SDR4006HFN, SDR4006HFP

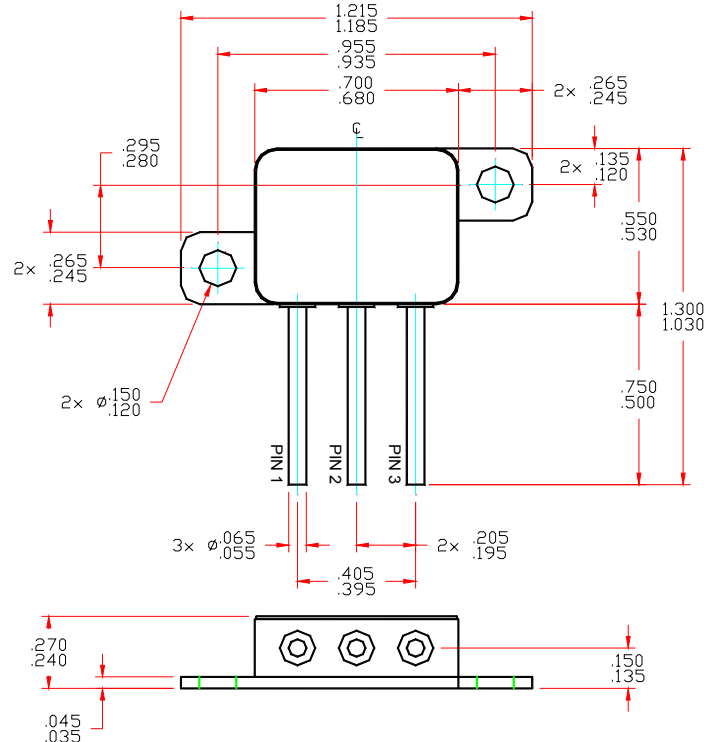
PIN ASSIGNMENT

PACKAGE	Pin 1	Pin 2	Pin 3
TO-258 (N)	Cathode	Anode	Anode
TO-259 (P)	Cathode	Anode	Anode

TO-258:



TO-259:



NOTE: All specifications are subject to change without notification. SCD's for these devices should be reviewed by SSDI prior to release.

DATA SHEET #: RC0092A

DOC