



Solid State Devices, Inc.

14701 Firestone Blvd * La Mirada, CA 90638

Phone: (562) 404-4474 * Fax: (562) 404-1773

ssdi@ssdi-power.com * www.ssdi-power.com

SDR620J, M & Z

Thru

SDR622J, M & Z

Electrical Characteristics (per leg) ^{4/}		Symbol	Max	Units
Instantaneous Forward Voltage Drop	300µsec Pulse, I _F = 10A, T _A = 25 °C	V _{F1}	1.00	V _{DC}
	300µsec Pulse, I _F = 20A, T _A = 25 °C	V _{F2}	1.20	
	300µsec Pulse, I _F = 10A, T _A = 100 °C	V _{F3}	0.90	
	300µsec Pulse, I _F = 10A, T _A = -55 °C	V _{F4}	1.15	
Reverse Leakage Current (Rated V _R , 300µsec Pulse Minimum)	T _A = 25 °C	I _{R1}	10	µA
	T _A = 100 °C	I _{R2}	100	µA
Reverse Recovery Time (I _F = 500 mA, I _R = 1 Amp, I _{RR} = 250 mA)		t _{RR}	35	nsec
Junction Capacitance (V _R = 10V _{DC} , T _A = 25°C, f = 1MHz)		C _J	250	pF

Notes:

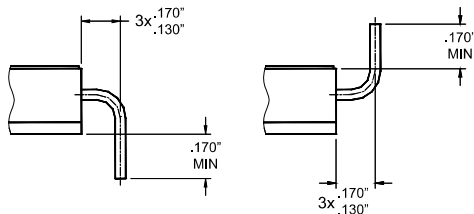
1/ For ordering information, Price, Operating Curves, and Availability- Contact Factory.

2/ Screened to MIL-PRF-19500.

3/ Recovery Conditions: I_F = 500 mA, I_R = 1 Amp, I_{RR} = 250 mA.

4/ Unless Otherwise Specified, All Maximum Ratings/Electrical Characteristics @25°C.

Figure 1- Optional Lead Bends

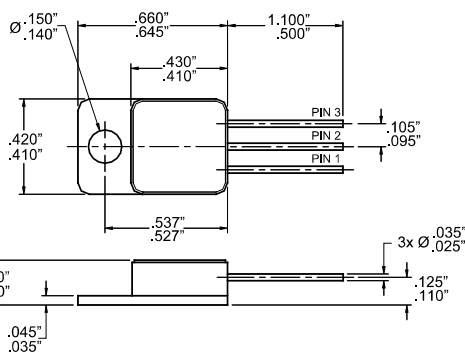


Suffix JDB, MDB & ZDB Suffix JUB, MUB & ZUB

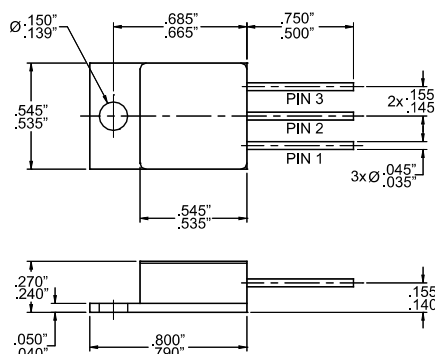
Table 1- PIN ASSIGNMENT

Code	Configuration	Pin 1	Pin 2	Pin 3
—	Normal	Cathode	Anode	Anode
R	Reverse	Cathode	Cathode	Anode

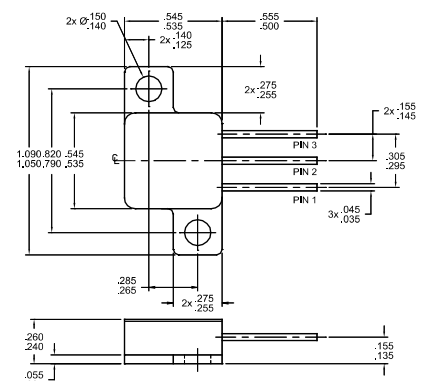
TO-257 (Suffix J) Outline:



TO-254 (Suffix M) Outline:



TO-254Z (Suffix Z) Outline:



NOTE: All specifications are subject to change without notification. SCD's for these devices should be reviewed by SSDI prior to release.

DATA SHEET #: RC0031C

DOC