



Solid State Devices, Inc.

14701 Firestone Blvd * La Mirada, Ca 90638
 Phone: (562) 404-4474 * Fax: (562) 404-1773
 ssdi@ssdi-power.com * www.ssdi-power.com

SDR958 thru SDR9512 Series

**50 AMP
 800 -1200 Volts
 100 nsec
 Ultrafast Recovery
 Rectifier**

DESIGNER'S DATA SHEET

Part Number/Ordering Information ^{1/}
SDR

Screening ^{2/} ___ = Not Screened
 TX = TX Level
 TXV = TXV Level
 S = S Level

Lead Options ___ = Straight Leads
 DB = Bent Down
 UB = Bent Up

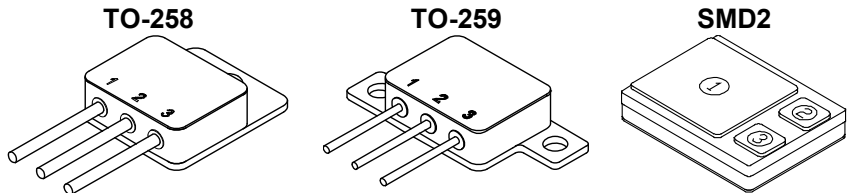
Package N = TO-258
 P = TO-259
 S2 = SMD2

Family/Voltage 958 = 800V
 959 = 900V
 9510 = 1000V
 9511 = 1100V
 9512 = 1200V

- Features:**
- Ultra Fast Recovery: 80 nsec typical
 - High Surge Rating
 - Low Reverse Leakage Current
 - Low Junction Capacitance
 - Hermetically Sealed Package
 - Faster Recovery Times Available – Contact Factory
 - TX, TXV, Space Level Screening Available - Consult Factory

Maximum Ratings		Symbol	Value	Units
Peak Repetitive Reverse and DC Blocking Voltage	SDR958	V_{RRM}	800	Volts
	SDR959		900	
	SDR9510	V_{RWM}	1000	
	SDR9511		1100	
	SDR9512	V_R	1200	
Average Rectified Forward Current (Resistive Load, 60 Hz Sine Wave, $T_A = 25^\circ C$) ^{3/}		I_o	50	Amps
Peak Surge Current (8.3 ms Pulse, Half Sine Wave Superimposed on I_o , Allow Junction to Reach Equilibrium Between Pulses, $T_A = 25^\circ C$) ^{3/}		I_{FSM}	500	Amps
Operating & Storage Temperature		Top & Tstg	-65 to +200	°C
Maximum Thermal Resistance Junction to Case ^{3/}	N&P	$R_{\theta JC}$	0.45	°C/W
	SMD2		0.3	

Notes:
 1/ For Ordering Information, Price, Operating Curves, and Availability - Contact Factory
 2/ Screening per MIL-PRF-19500
 3/ Pins 2&3 connected



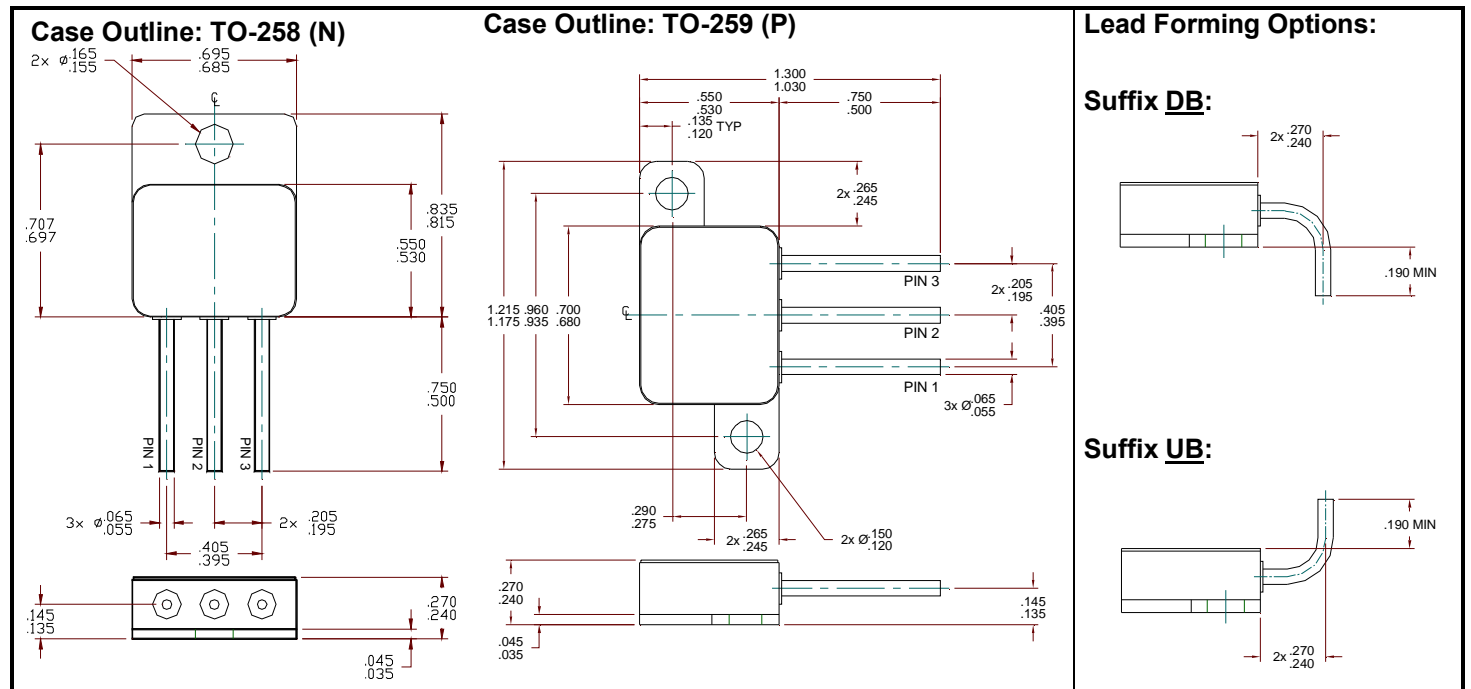


Solid State Devices, Inc.

14701 Firestone Blvd * La Mirada, Ca 90638
 Phone: (562) 404-4474 * Fax: (562) 404-1773
 ssdi@ssdi-power.com * www.ssdi-power.com

**SDR958 thru SDR9512
Series**

Electrical Characteristics ^{3/}		Symbol	Typ	Max	Units
Instantaneous Forward Voltage Drop (T _A = 25°C, 300 μsec pulse)	I _F = 20Adc	V _{F1}	1.10	--	Volts
	I _F = 50Adc		1.25	1.7	
	I _F = 100Adc		1.40	2.0	
Instantaneous Forward Voltage Drop T _A = -55°C T _A = -55°C T _A = 100°C T _A = 100°C	I _F = 20Adc	V _{F2}	1.20	--	Volts
	I _F = 50Adc		1.30	1.80	
	I _F = 20Adc		0.95	--	
	I _F = 50Adc		1.15	1.60	
Reverse Leakage Current (Rated V _R , T _A = 25°C, 300 μsec pulse minimum)		I _{R1}	50	100	μA
Reverse Leakage Current (Rated V _R , T _A = 100°C, 300 μsec pulse minimum) (Rated V _R , T _A = 125°C, 300 μsec pulse minimum) (Rated V _R , T _A = 150°C, 300 μsec pulse minimum)		I _{R2}	3.0	10	mA
			7.0	--	
			17.0	--	
Junction Capacitance (V _R = 5 Vdc, T _A = 25°C, f = 1MHz) (V _R = 10 Vdc, T _A = 25°C, f = 1MHz)		C _J	180	--	pF
			160	250	
Reverse Recovery Time (I _F = 500 mA, I _R = 1A, I _{RR} = 0.25A) (I _F = 10 A, dI _F /dt = 100A/us) (I _F = 10 A, dI _F /dt = 100A/us) (I _F = 10 A, dI _F /dt = 45A/us) (I _F = 10 A, dI _F /dt = 45A/us) (I _F = 10 A, dI _F /dt = 45A/us) (I _F = 10 A, dI _F /dt = 45A/us)	T _A = 25°C	t _{rr1}	100	150	nsec
	T _A = 25°C	t _{rr2}	135	--	nsec
	T _A = 25°C	I _{RM2}	8.0	--	A
	T _A = 25°C	t _{rr3}	210	--	nsec
	T _A = 25°C	I _{RM3}	4.0	--	A
	T _A = 100°C	t _{rr4}	330	--	nsec
	T _A = 100°C	I _{RM4}	7.5	--	A



Pin1: Cathode
Pin2: Anode
Pin3: Anode



Solid State Devices, Inc.

14701 Firestone Blvd * La Mirada, Ca 90638
Phone: (562) 404-4474 * Fax: (562) 404-1773
ssdi@ssdi-power.com * www.ssdi-power.com

**SDR958 thru SDR9512
Series**

Case Outline: SMD2(S2)

