



Solid State Devices, Inc.

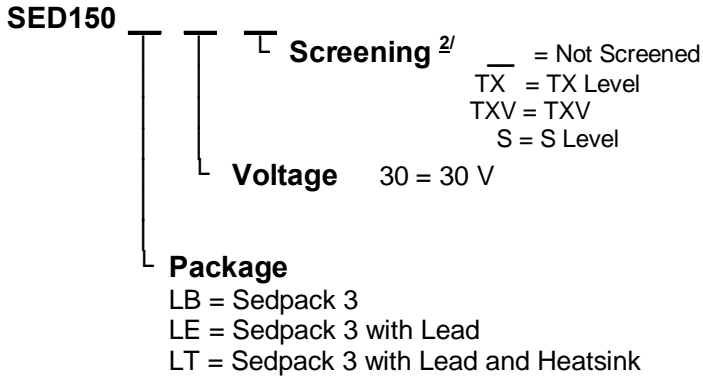
14701 Firestone Blvd * La Mirada, CA 90638-5223
 Phone: (562) 404-4474 * Fax: (562) 404-1773
 ssdi@ssdi-power.com * www.ssdi-power.com

**SED150LB30, SED150LE30,
and SED150LT30**

**150 A / 30 V
Schottky Rectifier**

Designer's Data Sheet

Part Number / Ordering Information ^{1/}

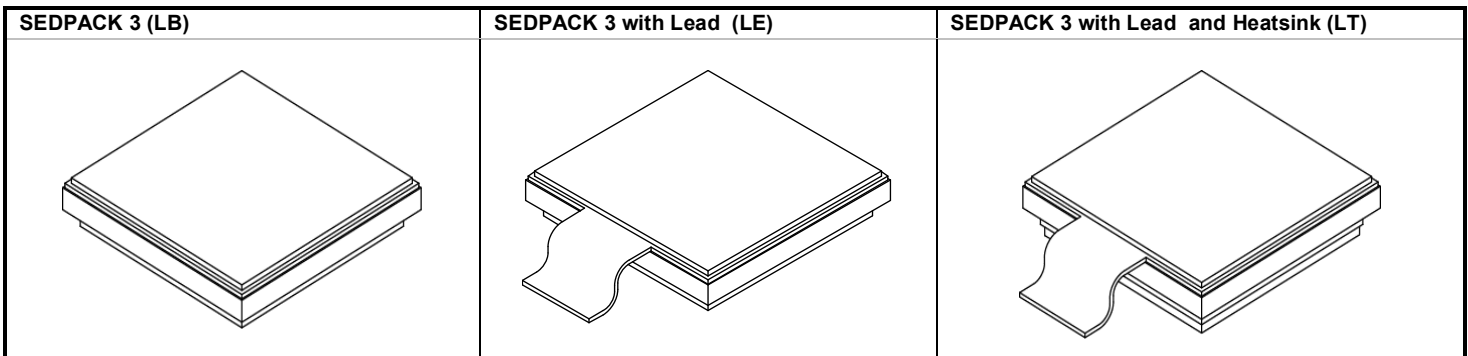


FEATURES:

- 30 Volt Schottky Rectifier
- Average Output Current 150 Amps
- Low Reverse Leakage
- Low Forward Voltage Drop
- Hermetically Sealed Power Surface Mount Package
- Guard Ring for Overvoltage Protection
- Eutectic Die Attach
- TX, TXV, and Space Level Screening Available ^{2/}. Consult Factory.

MAXIMUM RATINGS ^{3/}

	Symbol	Value	Units
Peak Repetitive Reverse and DC Blocking Voltage	V_{RRM} V_{RWM} V_R	30	Volts
Average Rectified Forward Current (Resistive Load, 60 Hz, Sine Wave, $T_C = 100^\circ\text{C}$)	I_O	150	Amps
Peak Surge Current (8.3 ms pulse, half sine wave superimposed on I_O , allow Junction to reach equilibrium between pulses, $T_A = 25^\circ\text{C}$)	I_{FSM}	1000	Amps
Operating & Storage Temperature	T_{OP} & T_{stg}	-55 to +150	$^\circ\text{C}$
Maximum Thermal Resistance (Junction to Case)	$R_{\theta JC}$	0.3	$^\circ\text{C/W}$



NOTES:

- ^{1/} For Ordering Information, Price, and Availability Contact Factory.
^{2/} Screened to MIL-PRF-19500.
^{3/} Unless Otherwise Specified, All Electrical Characteristics @25°C.

NOTE: All specifications are subject to change without notification. SCD's for these devices should be reviewed by SSDI prior to release.

DATA SHEET #: RSED15C

DOC



Solid State Devices, Inc.

14701 Firestone Blvd * La Mirada, CA 90638-5223
 Phone: (562) 404-4474 * Fax: (562) 404-1773
 ssdi@ssdi-power.com * www.ssdi-power.com

**SED150LB30, SED150LE30,
and SED150LT30**

ELECTRICAL CHARACTERISTICS ^{3/}	Symbol	Maximum Value	Units
Instantaneous Forward Voltage Drop (T _A =25°C, 300-500 μsec pulse)	I _F = 50 A	V _{F1}	0.46
	I _F = 110 A	V _{F2}	0.55
	I _F = 150 A	V _{F3}	0.65
Instantaneous Forward Voltage Drop (300-500 μsec pulse)	T _A = 125°C, I _F = 150 A	V _{F4}	0.60
Reverse Leakage Current (Rated V _R , T _A = 25°C, 300 μsec pulse minimum)		I _{R1}	7.5
Reverse Leakage Current (Rated V _R , T _A = 125°C, 300 μsec pulse minimum)		I _{R2}	750
Junction Capacitance (V _R = 5V, f = 1MHz, T _A = 25°C)		C _J	7000

NOTES: 1/ For Ordering Information, Price, and Availability Contact Factory. 2/ Screened to MIL-PRF-19500. 3/ Unless Otherwise Specified, All Electrical Characteristics @25°C.	PIN ASSIGNMENT			
	Package	TOP	BOTTOM	LEAD
	Sedpack 3 (LB)	Anode	Cathode	---
	Sedpack 3 with Lead (LE)	Anode	Cathode	Anode
	Sedpack 3 with Lead (LT)	Anode	Cathode	Anode

