



# SOLID STATE DEVICES, INC.

14830 Valley View Blvd \* La Mirada, Ca 90638

Phone: (562) 404-7855 \* Fax: (562) 404-1773

ssdi@ssdi-power.com \* www.ssdi-power.com

## SDA165AHF thru SDA165HHF

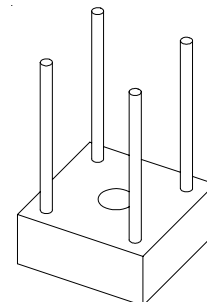
**6 - 10 AMPS  
50 - 800 VOLTS  
HYPER FAST  
SINGLE PHASE BRIDGE**

### Designer's Data Sheet

#### FEATURES:

- PIV 50 to 800 Volts
- Average Output 6 - 10A.
- Reverse Recovery 35 nsec Max
- Small Size
- Hermetically Sealed Rectifiers
- Easy PC Mounting
- Maximum Thermal Resistance 5.0°C/W
- -55 to +150°C Operating and Storage Temperature
- TX and TXV Level Screening Available

SDA165



### ELECTRICAL CHARACTERISTICS

Part Number	Peak Inverse Voltage (per Leg)	Average Rectified Current	Maximum Surge Current (1 Cycle)	Maximum Forward Voltage (per Leg)		Maximum Reverse Current (@ PIV)	
				V <sub>F</sub>	@I <sub>F</sub>	I <sub>R</sub>	
Symbol	PIV	I <sub>O</sub>	I <sub>FSM</sub>	V <sub>F</sub>	Amps	μA	
Units	Volts	Amps	Amps	Volts	Amps	μA	
Conditions	25°C	55°C	25°C	T <sub>A</sub> = 25°C		25°C	100°C
SDA165AHF	50	10	125	0.95	6	5.0	200
SDA165BHF	100	10	125	0.95	6	5.0	200
SDA165CHF	150	10	125	0.95	6	5.0	200
SDA165DHF	200	6	50	1.05	3	10.0	1000
SDA165EHF	300	6	50	1.05	3	10.0	1000
SDA165FHF	400	6	75	1.85	3	10.0	250
SDA165GHF	600	6	75	1.85	3	10.0	250
SDA165HHF	800	6	75	2.30	3	10.0	250

#### NOTES:

1. Maximum forward voltage measured with instantaneous forward pulse of 300μsec minimum.
2. Unless otherwise specified: T<sub>A</sub> = 25°C.

NOTE: All specifications are subject to change without notification. SCD's for these devices should be reviewed by SSDI prior to release.

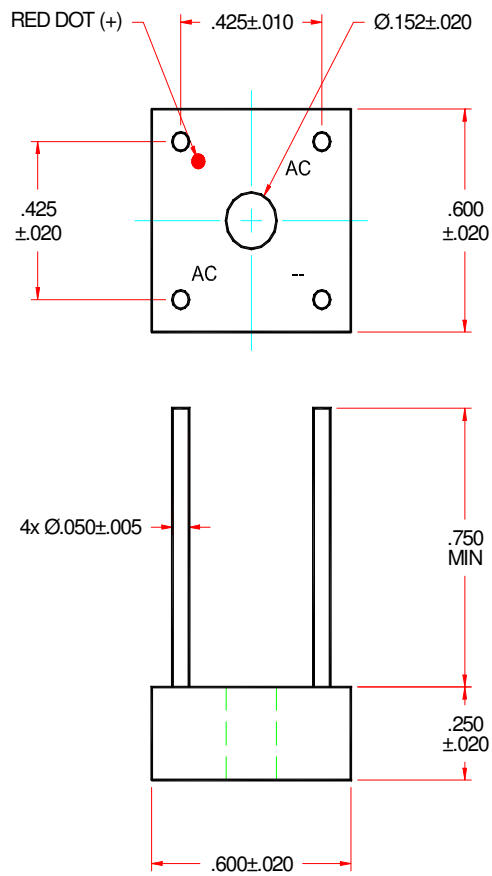
DATA SHEET #: RA0008D

**SDA165AHF  
thru  
SDA165HHF**



**SOLID STATE DEVICES, INC.**  
14830 Valley View Blvd \* La Mirada, Ca 90638  
Phone: (562) 404-7855 \* Fax: (562) 404-1773  
ssdi@ssdi-power.com \* www.ssdi-power.com

**PACKAGE OUTLINE: SDA165**



**NOTES:**

Consult manufacturing for operating curves.