



SOLID STATE DEVICES, INC.

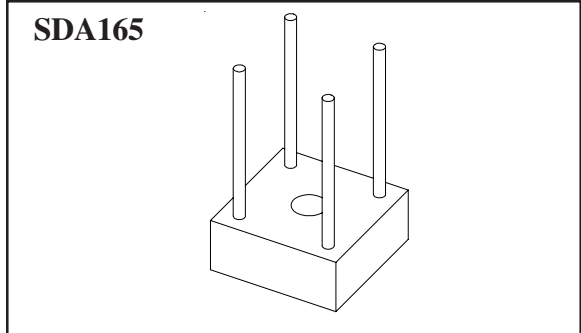
14830 Valley View Blvd * La Mirada, Ca 90638
Phone: (562) 404-7855 * Fax: (562) 404-1773
ssdi@ssdi-power.com * www.ssdi-power.com

Designer's Data Sheet

**SDA165DUF
thru
SDA165GUF**

**10 AMPS
400 - 1000 VOLTS
ULTRAFAST RECOVERY
SINGLE PHASE BRIDGE**

- FEATURES:**
- PIV 400 to 1000 Volts
 - Average Output 10A.
 - Reverse Recovery up to 70 ns
 - Small Size
 - Hermetically Sealed Rectifier Cells
 - Easy PC Mounting
 - Maximum Thermal Resistance 5.0°C/W
 - -55 to +150°C Operating and Storage Temperature
 - Available in Standard and Hyperfast Recovery Times
 - TX, TXV, and S Level Screening Available



ELECTRICAL CHARACTERISTICS

Part Number	Peak Inverse Voltage (per Leg)	Average Rectified Current	Maximum Surge Current (1 Cycle)	Maximum Forward Voltage (per Leg)	Maximum Reverse Current (@ PIV)		Reverse Recovery Time (per Leg)
Symbol	PIV	I _O	I _{FSM}	V _F	I _R		t _{RR}
Units	Volts	Amps	Amps	Volts	μA		nsec
Conditions	25°C	55°C	25°C	I _F = 3A, T _A = 25°C	25°C	100°C	3/
SDA165DUF	400	10	75	1.20	10	1000	60
SDA165EUF	600	10	75	1.20	10	1000	60
SDA165FUF	800	10	75	1.40	10	250	70
SDA165GUF	1000	10	75	1.40	10	250	70

NOTES:

1. Maximum forward voltage measured with instantaneous forward pulse of 300μsec minimum.
 2. Unless otherwise specified: T_A = 25°C.
- 3/ t_{RR} shall be as measured at I_F = 500mA, I_R = 1.0A, I_{RR} = 250 mA, T_A = 25°C

NOTE: All specifications are subject to change without notification. SCD's for these devices should be reviewed by SSDI prior to release.

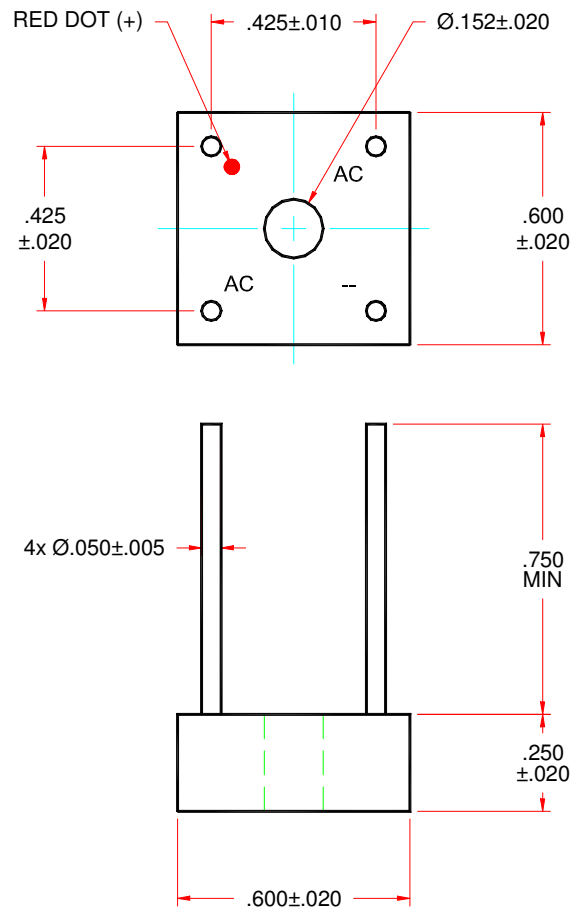
DATA SHEET # : RH0237B

SDA165DUF
thru
SDA165GUF



SOLID STATE DEVICES, INC
14830 Valley View Blvd * La Mirada, Ca 90638
Phone: (562) 404-7855 * Fax: (562) 404-1773
ssdi@ssdi-power.com * www.ssdi-power.com

PACKAGE OUTLINE: SDA165



NOTES:

Consult manufacturing for operating curves.