

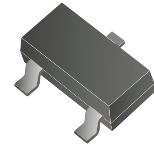
## CJ3401-HF (P-Channel )

Reverse Voltage: - 30 Volts

Forward Current: - 4.2 A

RoHS Device

Halogen Free



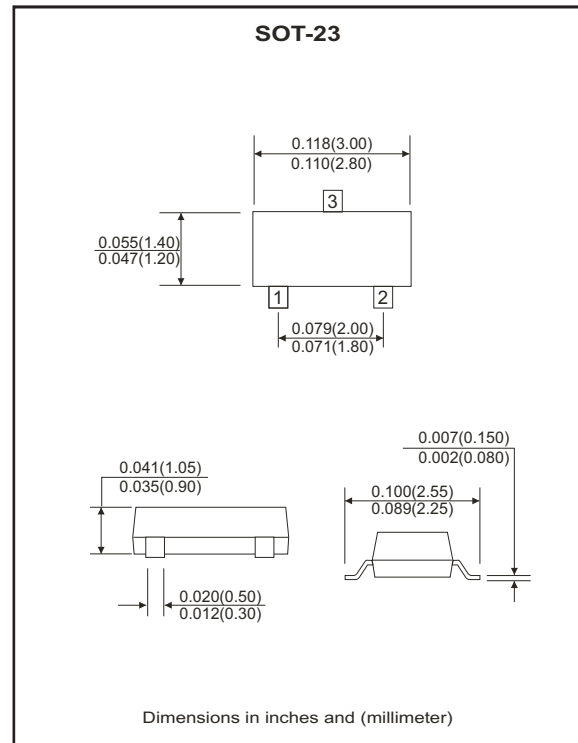
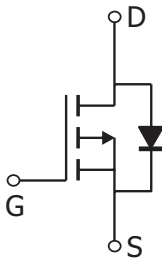
### Features

- P-Channel
- High dense cell design for extremely low  $R_{DS(ON)}$
- Exceptional on-resistance and maximum DC current capability.

### Mechanical data

- Case: SOT-23, molded plastic.
- Terminals: solderable per MIL-STD-750, method 2026.

### Circuit diagram



### Maximum Ratings and Electrical Characteristics

(at  $T_a=25\text{ }^\circ\text{C}$  unless otherwise noted)

Parameter	Symbol	Value	Units
Maximum drain-source voltage	$V_{DS}$	-30	V
Maximum gate-source voltage	$V_{GS}$	$\pm 12$	V
Maximum continuous drain current	$I_D$	-4.2	A
Maximum power dissipation	$P_D$	350	mW
Thermal resistance from junction to ambient ( $t < 5s$ )	$R_{\theta JA}$	357	$^\circ\text{C/W}$
Junction temperature	$T_J$	150	$^\circ\text{C}$
Storage temperature	$T_{STG}$	-55 to +150	$^\circ\text{C}$

RATING AND CHARACTERISTIC CURVES (CJ3401-HF)

Fig.1 - Output Characteristics

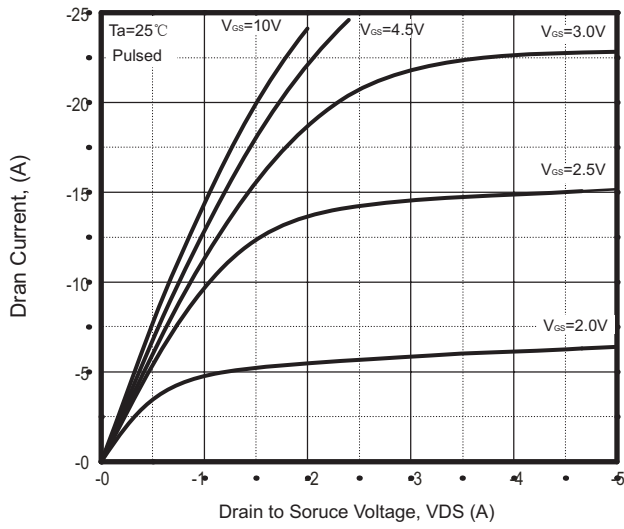


Fig.2 - Transfer Characteristics

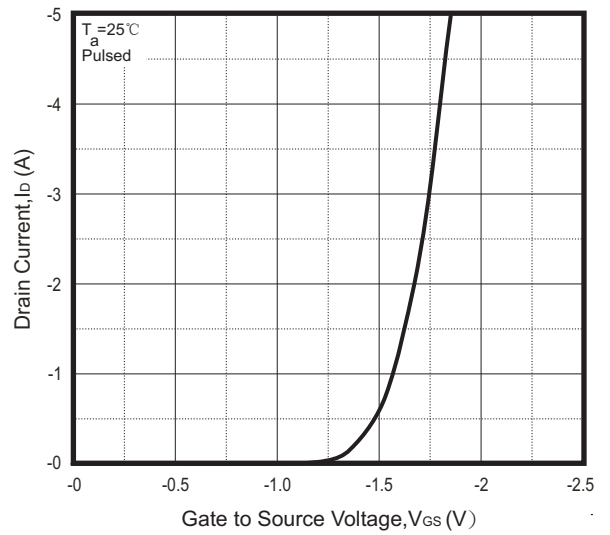


Fig.3 -  $R_{DS(ON)} - I_D$

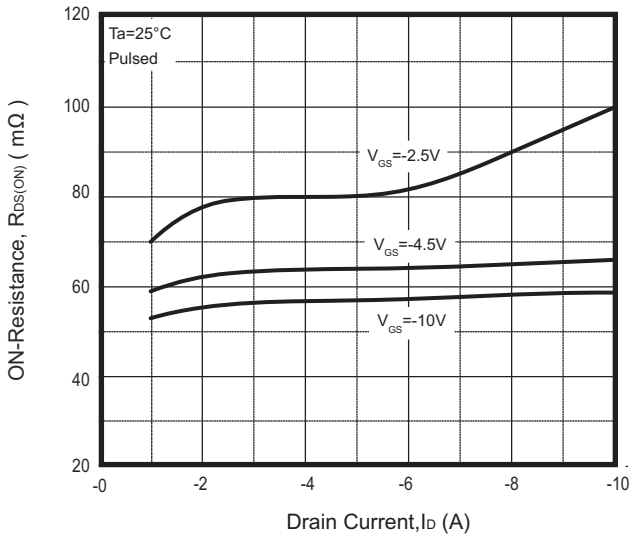


Fig.4-  $R_{DS(ON)} - V_{GS}$

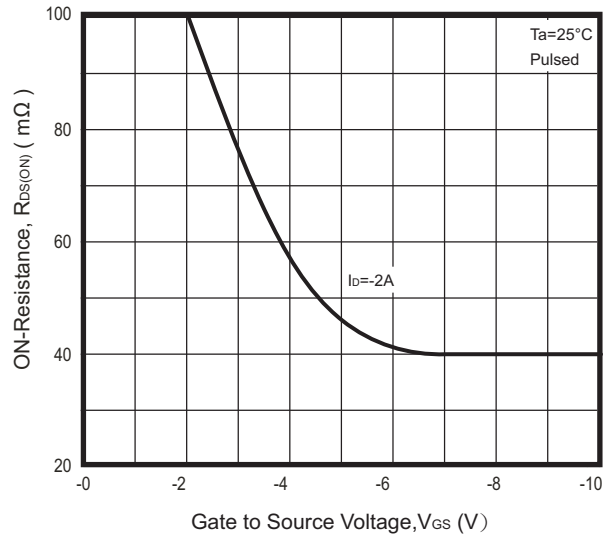
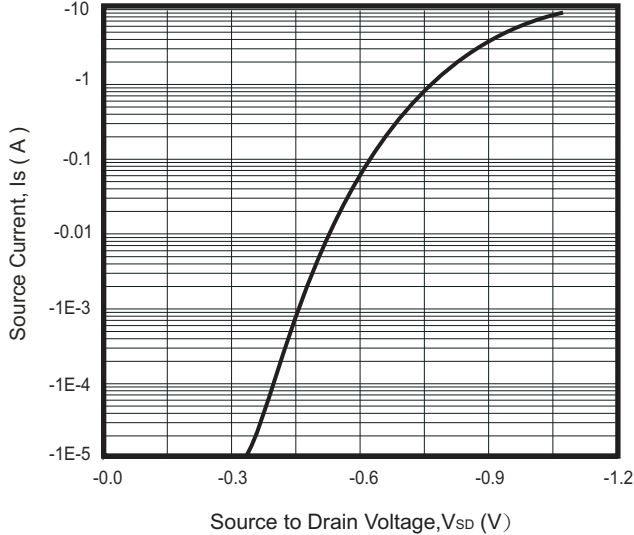
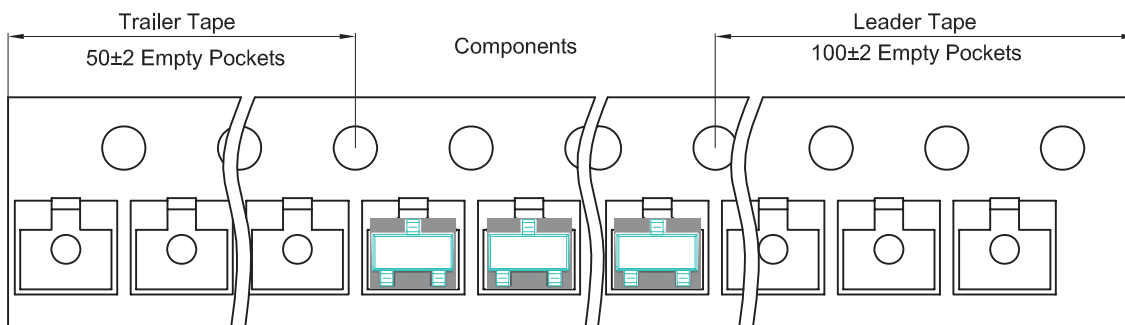
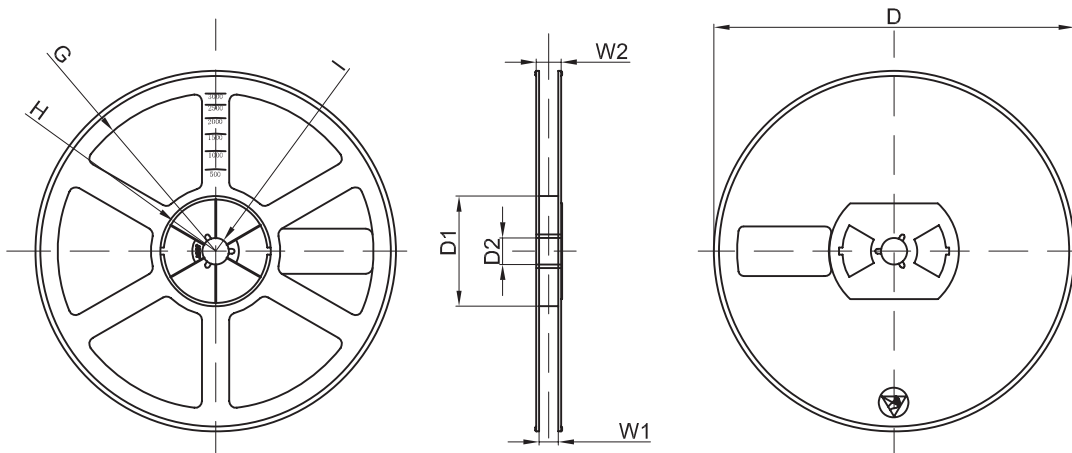
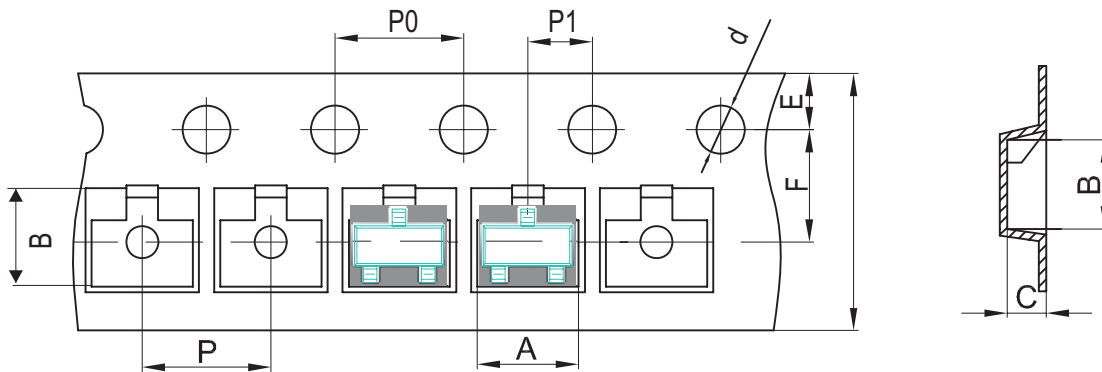


Fig.5 -  $I_S - V_{SD}$



## Reel Taping Specification

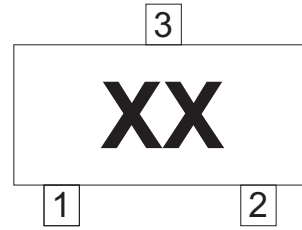


SOT-23	SYMBOL	A	B	C	d	D	D1	D2
	(mm)	3.15 ± 0.10	2.77 ± 0.10	1.22 ± 0.10	1.50 ± 0.10	178 ± 2.0	54.40 ± 1.0	13.00 ± 1.0
	(inch)	0.124 ± 0.004	0.109 ± 0.004	0.048 ± 0.004	0.059 ± 0.004	7.008 ± 0.079	2.142 ± 0.039	0.512 ± 0.039

SOT-23	SYMBOL	E	F	P	P0	P1	W	W1
	(mm)	1.75 ± 0.10	3.50 ± 0.05	4.00 ± 0.10	4.00 ± 0.10	2.00 ± 0.10	8.00 + 0.30 / - 0.10	9.50 ± 1.00
	(inch)	0.069 ± 0.004	0.138 ± 0.002	0.158 ± 0.004	0.158 ± 0.004	0.079 ± 0.004	0.315 + 0.012 / - 0.004	0.374 ± 0.039

## Marking Code

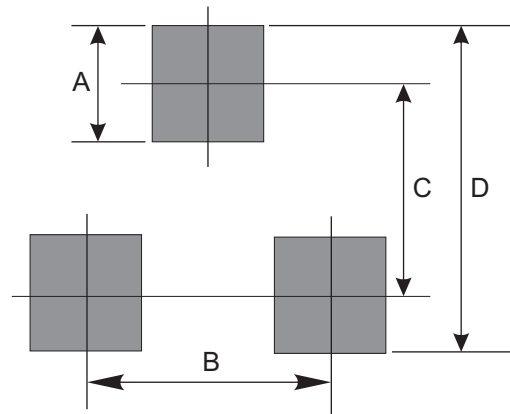
Part Number	Marking Code
CJ3401-HF	R1



xxx = Product type marking code

## Suggested PAD Layout

SIZE	SOT-23	
	(mm)	(inch)
A	0.80	0.031
B	1.90	0.075
C	2.02	0.080
D	2.82	0.111



## Standard Packaging

Case Type	Qty Per Reel	Reel Size
	(Pcs)	(inch)
SOT-23	3,000	7