

## SA5V0-HF Thru. SA191-HF Series

**Working Peak Reverse Voltage: 5.0 to 190 Volts**

**Peak Pulse Power: 500 Watts**

**RoHS Device**

**Halogen Free**

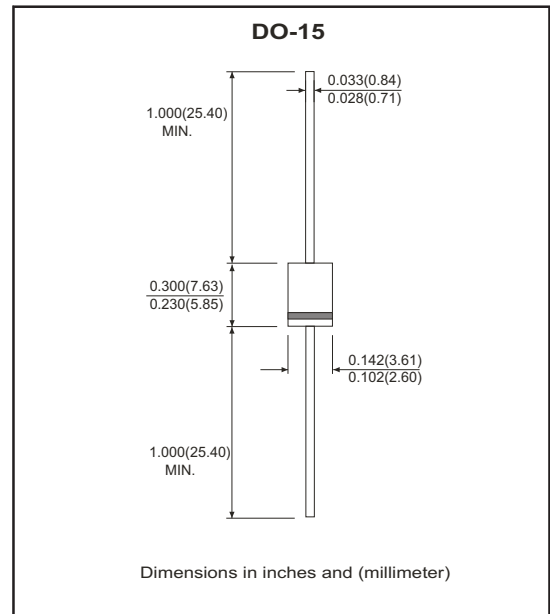


### Features

- Glass passivated chip.
- Low leakage.
- 500W peak pulse power capability with a 10/1000 $\mu$ s waveform, repetitive rate (duty cycle): 0.01%.
- Uni and Bidirectional unit.
- Excellent clamping capability.
- Very fast response time.
- RoHS compliant.

### Mechanical data

- Case: Molded plastic DO-15
- Epoxy: UL 94V-0 rate flame retardant
- Terminals: Axial leads solderable per MIL-STD-202 Method 208
- Polarity: Color band denotes positive end (cathode)
- Mounting position: Any



### Maximum Ratings and Electrical Characteristics

Ratings at 25°C ambient temperature unless otherwise specified.  
Single phase, half wave, 60Hz, resistive or inductive load.  
For capacitive load, derate current by 20%.

Characteristics	Symbol	Value	Units
Peak power dissipation with a 10/1000 $\mu$ S waveform (Note 1)	P <sub>PP</sub>	500	W
Peak pulse current with a 10/1000 $\mu$ S waveform (Note 1)	I <sub>PPM</sub>	See Next Table	A
Power dissipation on infinite heatsink at T <sub>L</sub> =75°C	P <sub>D</sub>	3.0	W
Peak forward surge current, 8.3ms single half sine-wave uni-directional only (Note 2)	I <sub>FSM</sub>	70	A
Maximum instantaneous forward voltage at 25A for uni-directional only (Note 3)	V <sub>F</sub>	3.5/5.0	V
Operating junction and storage temperature range	T <sub>J</sub> , T <sub>STG</sub>	-55 to +150	°C

NTOES:

- (1) Non-repetitive current pulse per fig.5 and derated above T<sub>A</sub>=25°C per fig. 1.
- (2) Measured on 8.3 ms single half sine-wave or equivalent square wave, duty cycle=4 pulses per minute maximum.
- (3) V<sub>F</sub><3.5V for devices of V<sub>BR</sub>≤200V and V<sub>F</sub><5.0V for devices of V<sub>BR</sub>≥201V.

Company reserves the right to improve product design , functions and reliability without notice.

REV:A

## RATING AND CHARACTERISTIC CURVES (SA5V0-HF thru SA191-HF)

Fig.1 Pulse Derating Curve

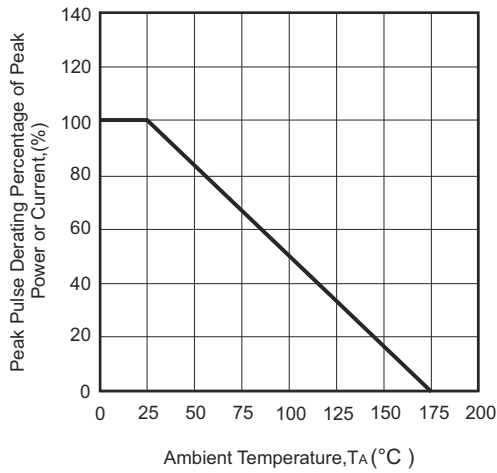


Fig.2- Maximum Non-Repetitive Surge Current

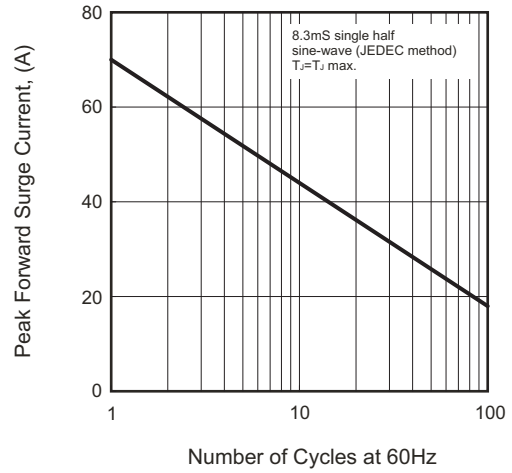


Fig.3- Steady State Power Derating Curve

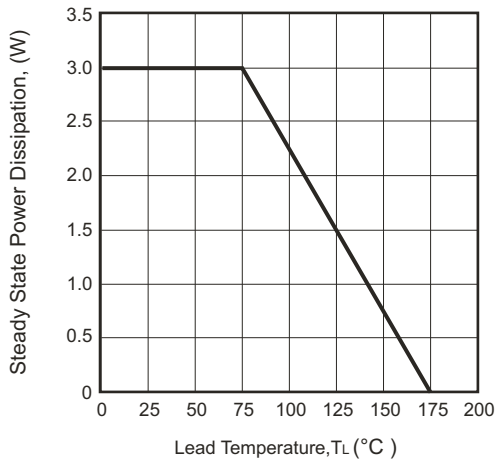


Fig.4 Peak Pulse Power Rating Curve

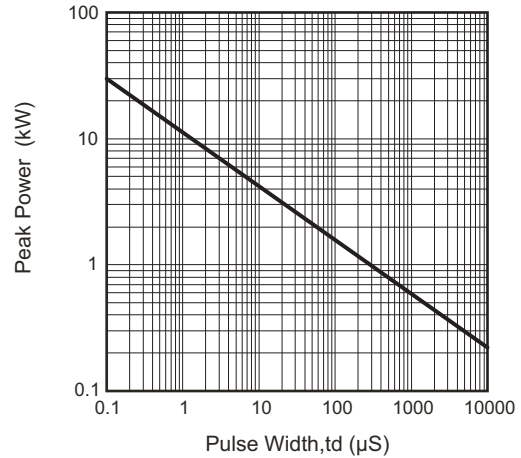


Fig.5- Pulse Waveform

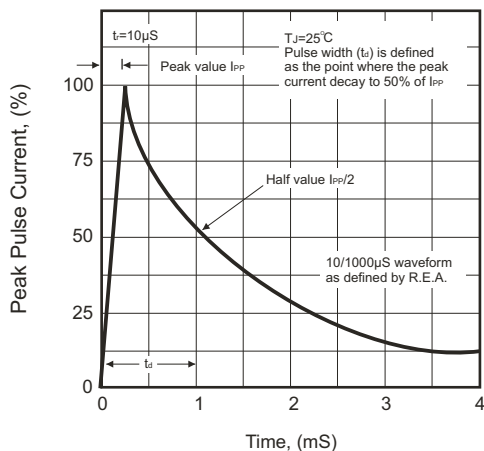
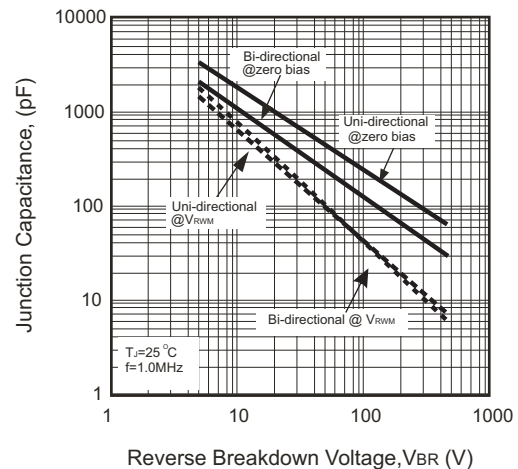


Fig.6- Typical Junction Capacitance



# Axial Lead Transient Voltage Suppressor

## Electrical Characteristics (SA5V0-HF Thru. SA191-HF)

Part No	Breakdown voltage V@ I <sub>T</sub>			Maximum Reverse Leakage @VRWM IR (uA)	Working Peak Reverse Voltage VRWM (V)	Maximum Reverse Surge Current @ 10/1000us sinewave IPP (A)	Maximum Clamping Voltage @IPP VC (V)	Marking Code	
	VBR Min. (V)	VBR Max. (V)	I <sub>T</sub> (mA)					UNI	BI
SA5V0(CA)-HF	6.40	7.00	10	600	5.0	54.35	9.20	SA5.0A	SA5.0CA
SA6V0(CA)-HF	6.67	7.37	10	600	6.0	48.54	10.3	SA6.0A	SA6.0CA
SA6V5A(CA)-HF	7.22	7.98	10	400	6.5	44.64	11.2	SA6.5A	SA6.5CA
SA7V0A(CA)-HF	7.78	8.60	10	150	7.0	41.67	12.0	SA7.0A	SA7.0CA
SA7V5A(CA)-HF	8.33	9.21	1	50	7.5	38.76	12.9	SA7.5A	SA7.5CA
SA8V0A(CA)-HF	8.89	9.83	1	25	8.0	36.76	13.6	SA8.0A	SA8.0CA
SA8V5A(CA)-HF	9.44	10.40	1	5	8.5	34.72	14.4	SA8.5A	SA8.5CA
SA9V0A(CA)-HF	10.00	11.10	1	5	9.0	32.47	15.4	SA9.0A	SA9.0CA
SA100A(CA)-HF	11.10	12.30	1	5	10.0	29.41	17.0	SA10A	SA10CA
SA110A(CA)-HF	12.20	13.50	1	5	11.0	27.47	18.2	SA11A	SA11CA
SA120A(CA)-HF	13.30	14.70	1	5	12.0	25.13	19.9	SA12A	SA12CA
SA130A(CA)-HF	14.40	15.90	1	5	13.0	23.26	21.5	SA13A	SA13CA
SA140A(CA)-HF	15.60	17.20	1	5	14.0	21.55	23.2	SA14A	SA14CA
SA150A(CA)-HF	16.70	18.50	1	5	15.0	20.49	24.4	SA15A	SA15CA
SA160A(CA)-HF	17.80	19.70	1	5	16.0	19.23	26.0	SA16A	SA16CA
SA170A(CA)-HF	18.90	20.90	1	5	17.0	18.12	27.6	SA17A	SA17CA
SA180A(CA)-HF	20.00	22.10	1	5	18.0	17.12	29.2	SA18A	SA18CA
SA190A(CA)-HF	21.10	23.30	1	5	19.0	16.24	30.8	SA19A	SA19CA
SA200A(CA)-HF	22.20	24.50	1	5	20.0	15.43	32.4	SA20A	SA20CA
SA220A(CA)-HF	24.40	26.90	1	5	22.0	14.08	35.5	SA22A	SA22CA
SA240A(CA)-HF	26.70	29.50	1	5	24.0	12.85	38.9	SA24A	SA24CA
SA260A(CA)-HF	28.90	31.90	1	5	26.0	11.88	42.1	SA26A	SA26CA
SA280A(CA)-HF	31.10	34.40	1	5	28.0	11.01	45.4	SA28A	SA28CA
SA300A(CA)-HF	33.30	36.80	1	5	30.0	10.33	48.4	SA30A	SA30CA
SA330A(CA)-HF	36.70	40.60	1	5	33.0	9.38	53.3	SA33A	SA33CA
SA360A(CA)-HF	40.00	44.20	1	5	36.0	8.61	58.1	SA36A	SA36CA
SA400A(CA)-HF	44.40	49.10	1	5	40.0	7.75	64.5	SA40A	SA40CA
SA430A(CA)-HF	47.80	52.80	1	5	43.0	7.20	69.4	SA43A	SA43CA
SA450A(CA)-HF	50.00	55.30	1	5	45.0	6.88	72.7	SA45A	SA45CA
SA480A(CA)-HF	53.30	58.90	1	5	48.0	6.46	77.4	SA48A	SA48CA
SA510A(CA)-HF	56.70	62.70	1	5	51.0	6.07	82.4	SA51A	SA51CA
SA540A(CA)-HF	60.00	66.30	1	5	54.0	5.74	87.1	SA54A	SA54CA
SA580A(CA)-HF	64.40	71.20	1	5	58.0	5.34	93.6	SA58A	SA58CA
SA600A(CA)-HF	66.70	73.70	1	5	60.0	5.17	96.8	SA60A	SA60CA
SA640A(CA)-HF	71.10	78.60	1	5	64.0	4.85	103.0	SA64A	SA64CA
SA700A(CA)-HF	77.80	86.00	1	5	70.0	4.42	113.0	SA70A	SA70CA
SA750A(CA)-HF	83.30	92.10	1	5	75.0	4.13	121.0	SA75A	SA75CA
SA780A(CA)-HF	86.70	95.80	1	5	78.0	3.97	126.0	SA78A	SA78CA
SA800A(CA)-HF	88.80	97.60	1	5	80.0	3.86	129.6	SA80A	SA80CA
SA850A(CA)-HF	94.40	104.00	1	5	85.0	3.65	137.0	SA85A	SA85CA
SA900A(CA)-HF	100.00	111.00	1	5	90.0	3.42	146.0	SA90A	SA90CA
SA101A(CA)-HF	111.00	123.00	1	5	100.0	3.09	162.0	SA100A	SA100CA
SA111A(CA)-HF	122.00	135.00	1	5	110.0	2.82	177.0	SA110A	SA110CA
SA121A(CA)-HF	133.00	147.00	1	5	120.0	2.59	193.0	SA120A	SA120CA
SA131A(CA)-HF	144.00	159.00	1	5	130.0	2.39	209.0	SA130A	SA130CA
SA141A(CA)-HF	155.00	171.00	1	5	140.0	2.20	226.8	SA140A	SA140CA
SA151A(CA)-HF	167.00	185.00	1	5	150.0	2.06	243.0	SA150A	SA150CA
SA161A(CA)-HF	178.00	197.00	1	5	160.0	1.93	259.0	SA160A	SA160CA

# Axial Lead Transient Voltage Suppressor



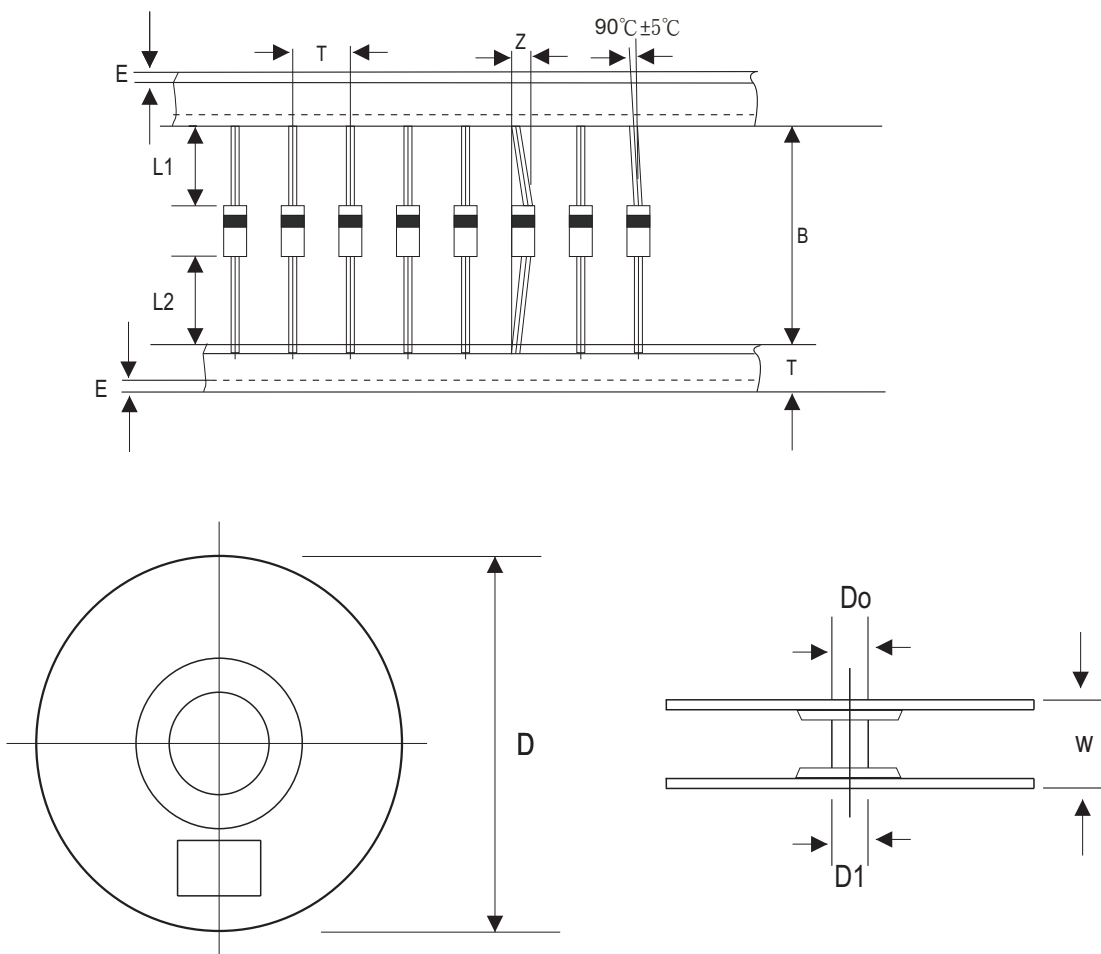
## Electrical Characteristics (SA5V0-HF Thru. SA191-HF)

Part No	Breakdown voltage V@ I <sub>T</sub>			Maximum Reverse Leakage @VRWM I <sub>R</sub> (uA)	Working Peak Reverse Voltage VRWM (V)	Maximum Reverse Surge Current @ 10/1000us sinewave IPP (A)	Maximum Clamping Voltage @IPP VC (V)	Marking Code	
	VBR Min. (V)	VBR Max. (V)	I <sub>T</sub> (mA)					UNI	BI
SA171A(CA)-HF	189.00	209.00	1	5	170.0	1.82	275.0	SA170A	SA170CA
SA181A(CA)-HF	200.00	220.00	1	5	180.0	1.71	291.6	SA180A	SA180CA
SA191A(CA)-HF	211.00	232.00	1	5	190.0	1.62	307.8	SA190A	SA190CA

Note:

- 1) Suffix 'A' denotes 5% tolerance devices.
- 2) Add Suffix 'C' or 'CA' after part number to specify Bi-directional devices.
- 3) For Bi-Directional devices having V<sub>R</sub> of 10 volts and under, the I<sub>R</sub> limit is double.

## Taping Specification For Axial Lead Diodes(For Reel Package)



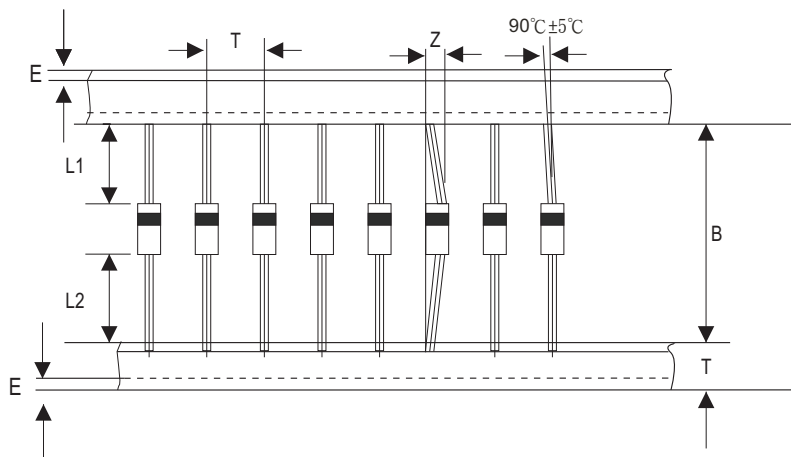
DO-15	SYMBOL	A	B	Z	T	E	L1-L2	D
	(mm)	5.00 ± 0.5	52.0 ± 0.5	1.2 (max)	6.0 ± 0.4	3 (max)	1.0 (max)	330
	(inch)	0.197 ± 0.020	2.047 ± 0.020	0.047 (max)	0.236 ± 0.016	0.118 (max)	0.039 (max)	13

DO-15	SYMBOL	D1	D0	W			
	(mm)	85.7 ± 0.3	16.6 ± 0.4	72.0 ± 3.0			
	(inch)	3.374 ± 0.012	0.654 ± 0.016	2.835 ± 0.118			

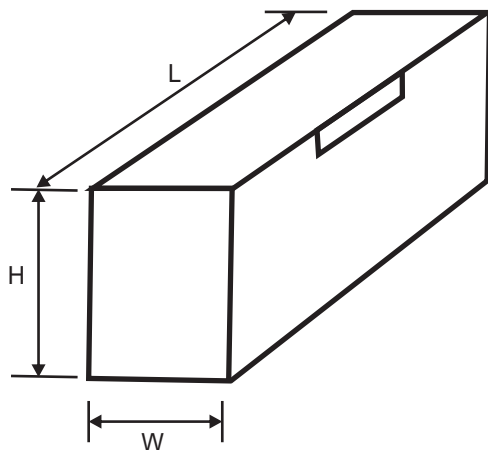
## Standard Packaging

Case Type	REEL PACK	
	REEL ( pcs )	Reel Size (inch)
DO-15	4,000	13

## Taping Specification For Axial Lead Diodes (For Ammo Package)



DO-15	SYMBOL	A	B	Z	T	E	L1-L2
	(mm)	5.00 ± 0.5	52.0 ± 0.5	1.2 (max)	6.0 ± 0.4	3 (max)	1.0 (max)
	(inch)	0.197 ± 0.020	2.047 ± 0.020	0.047 (max)	0.236 ± 0.016	0.118 (max)	0.039 (max)



## Standard Packaging

Case Type	Ammo Package			
	Inner BOX Dimension (L*W*H)	Inner BOX (K)	Box / Carton (EA)	CARTON (K)
DO-15	252*80*117	2	10	20
	260*75*145	3	10	30