

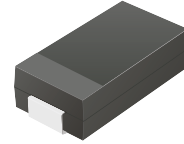
CDBC320LR-HF Thru. CDBC3200LR-HF

Reverse Voltage: 20 to 200 Volts

Forward Current: 3.0 Amp

RoHS Device

Halogen Free

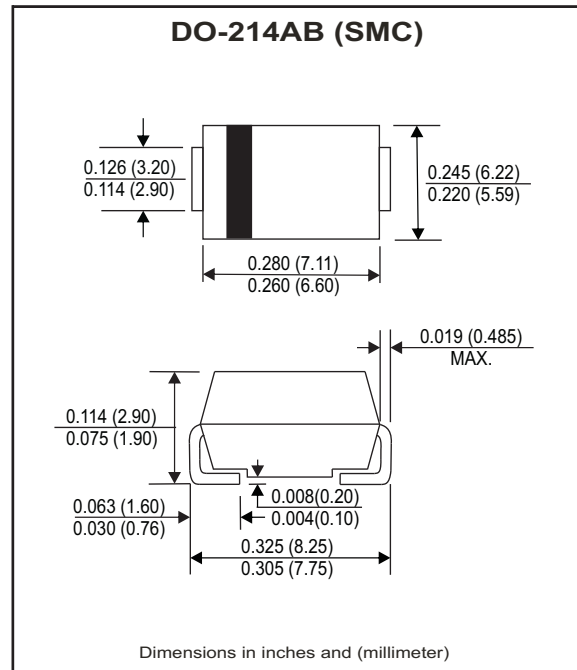


Features

- Low Profile surface mount applications in order to optimize board space.
- Low power loss, high efficiency.
- High current capability, low forward voltage drop.
- High surge capability.
- Guardring for overvoltage protection.
- Ultra high-speed switching.
- Silicon epitaxial planar chip, metal silicon junction.

Mechanical data

- Epoxy: UL94-V0 rate flame retardant.
- Case: Molded plastic, DO-214AB / SMC
- Terminals: solderable per MIL-STD-750, method 2026.
- Polarity: Indicated by cathode band.
- Weight: 0.226 grams



Maximum Ratings and Electrical Characteristics

Ratings at Ta=25°C unless otherwise noted.
Single phase, half wave, 60Hz, resistive or inductive loaded.
For capacitive load, derate current by 20% .

Parameter	Symbol	CDBC 320LR-HF	CDBC 340LR-HF	CDBC 360LR-HF	CDBC 3100LR-HF	CDBC 3150LR-HF	CDBC 3200LR-HF	Units
Max. Repetitive peak reverse voltage	V _{RRM}	20	40	60	100	150	200	V
Max. DC blocking voltage	V _{DC}	20	40	60	100	150	200	V
Max. RMS voltage	V _{RMS}	14	28	42	70	105	140	V
Max. Instantaneous forward voltage @3.0A, T _A =25°C	V _F	0.40	0.45	0.55	0.75	0.82	0.85	V
Operating Temperature	T _J	-50 to +150				-50 to +175		°C

Parameter	Conditions	Symbol	MIN.	TYP.	MAX.	Units
Forward rectified current	see Fig.1	I _o			3.0	A
Forward surge current	8.3ms single half sine-wave superimposed on rate load (JEDEC method)	I _{FSM}			125	A
Reverse Current	V _R =V _{RRM} T _A =25°C	I _R			0.5	mA
	V _R =V _{RRM} T _A =100°C	I _R			20	mA
Thermal Resistance	Junction to ambient	R _{θJA}		55		°C/W
Diode Junction capacitance	f=1MHz and applied 4V DC reverse Voltage	C _J		250		pF
Storage temperature		T _{STG}	-50		+175	°C

RATING AND CHARACTERISTIC CURVES (CDBC320LR-HF Thru. CDBC3200LR-HF)

Fig.1 - Typical Forward Current Derating Curve

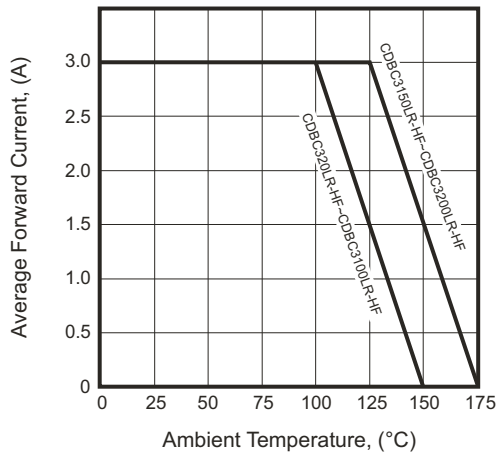


Fig.2 - Typical Forward Characteristics

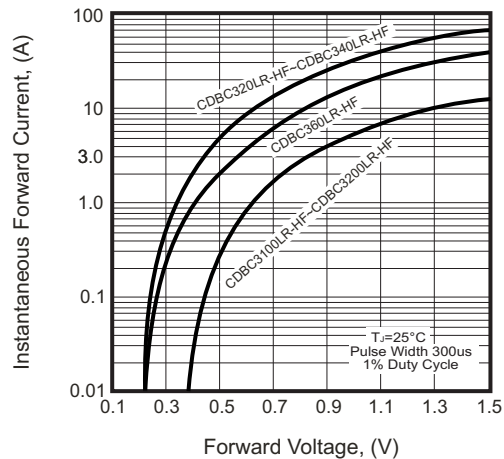


Fig.3 - Maximum Non-repetitive Forward Surge Current

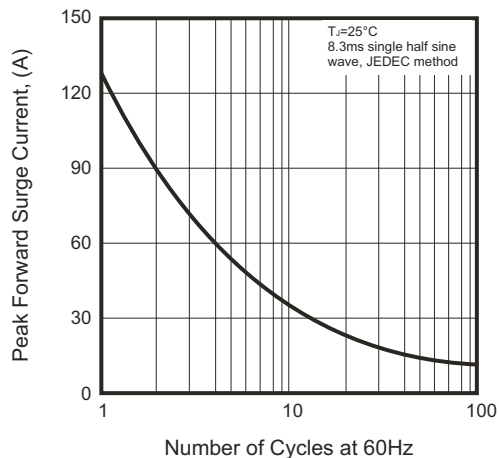


Fig.4 - Typical Junction Capacitance

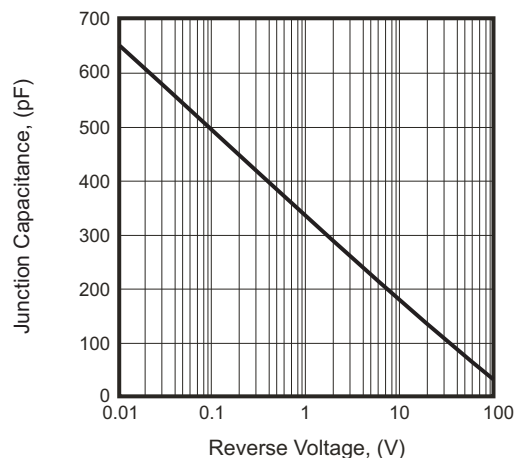
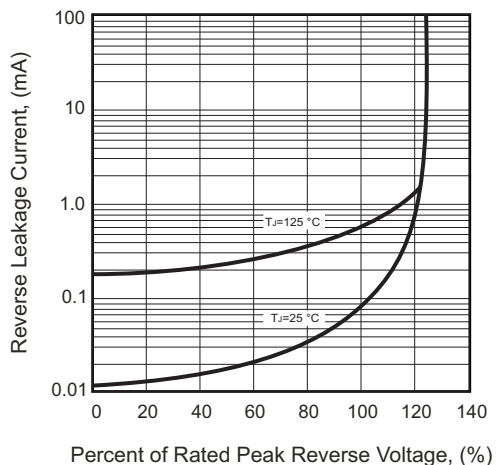
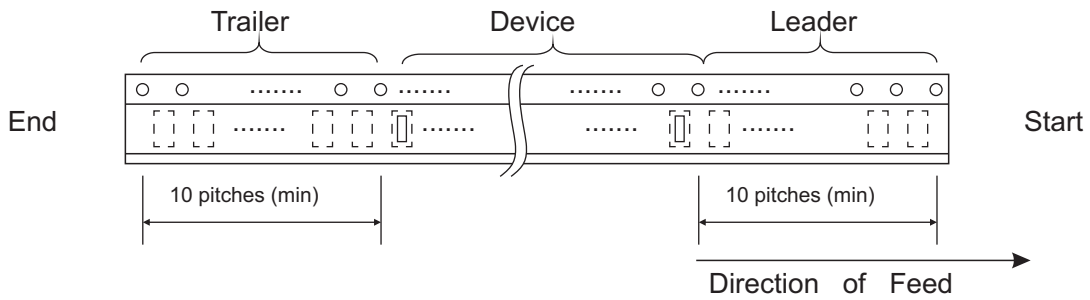
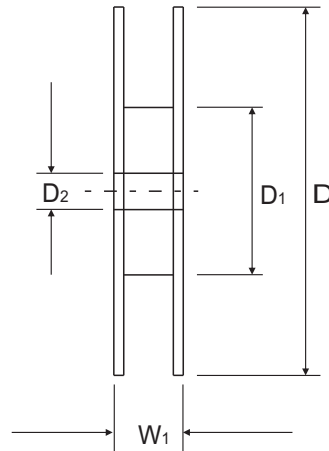
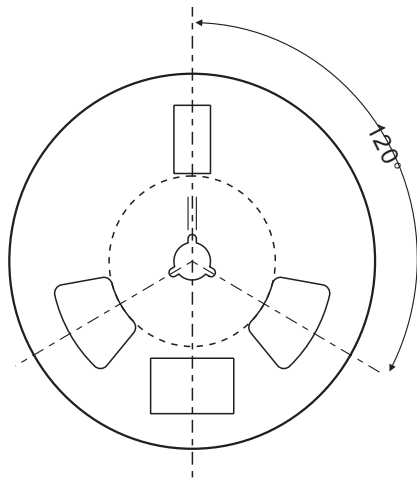
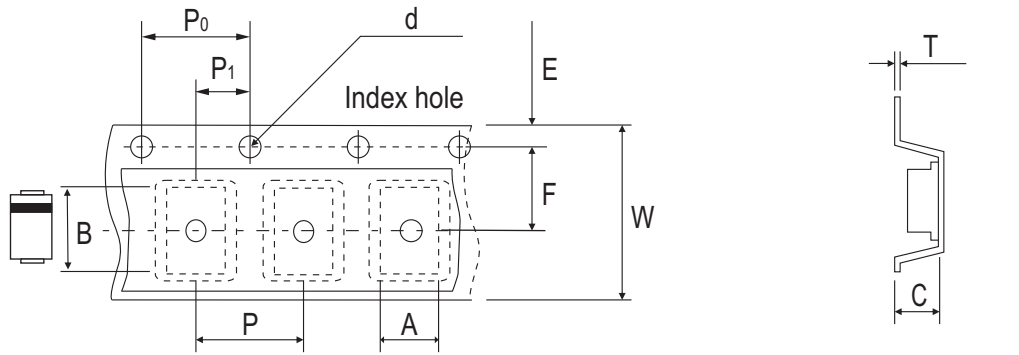


Fig.5 - Typical Reverse Characteristics



Reel Taping Specification

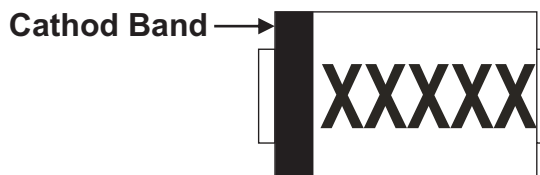


DO-214AB (SMC)	SYMBOL	A	B	C	d	D	D1	D2
	(mm)	6.30 ± 0.10	8.60 ± 0.10	2.90 ± 0.10	1.50 ± 0.10	330 ± 2.00	50.0 MIN.	13.50 ± 0.50
	(inch)	0.248 ± 0.004	0.339 ± 0.004	0.114 ± 0.004	0.059 ± 0.004	12.99 ± 0.079	1.969 MIN.	0.531 ± 0.020

DO-214AB (SMC)	SYMBOL	E	F	P	P0	P1	T	W	W1
	(mm)	1.75 ± 0.10	7.50 ± 0.10	8.00 ± 0.10	4.00 ± 0.10	2.00 ± 0.10	0.60 ± 0.10	16.00 ± 0.30	22.40 ± 1.00
	(inch)	0.069 ± 0.004	0.295 ± 0.004	0.315 ± 0.004	0.157 ± 0.004	0.079 ± 0.004	0.236 ± 0.004	0.630 ± 0.012	0.882 ± 0.039

Marking Code

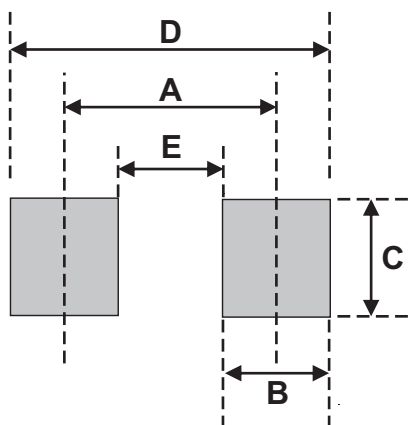
Part Number	Marking Code
CDBC320LR-HF	KL32
CDBC340LR-HF	KL34
CDBC360LR-HF	KL36
CDBC3100LR-HF	KL310
CDBC3150LR-HF	KL315
CDBC3200LR-HF	KL320



XXXXX = Product type marking code

Suggested PAD Layout

SIZE	DO-214AB (SMC)	
	(mm)	(inch)
A	6.90	0.272
B	2.50	0.098
C	3.30	0.130
D	9.40	0.370
E	4.40	0.173



Standard Packaging

Case Type	REEL PACK	
	REEL (pcs)	Reel Size (inch)
DO-214AB (SMC)	3,000	13