

# SHIELDED HIGH CURRENT POWER INDUCTOR



6.8 x 7.3 x 3.0 mm

ASPI-06P



**RoHS**  
Compliant

## FEATURES:

- Lowest DCR/uH in this package size
- Frequency range up to 5.0MHz
- Handles high transient current spikes without saturation
- Ultra low buzz noise due to composite construction

## APPLICATIONS:

- Notebook/Desktop/Server applications
- Low profile, high current power supplies
- Battery powered devices
- DC/DC converter for FPGA

## STANDARD SPECIFICATIONS:

### PARAMETERS

ABRACON P/N:	ASPI-06P-xxx Series
Operating temperature:	-55°C to + 125°C
Storage temperature:	-55°C to + 125°C

Part#	Inductance	Tolerance	DC Resistance	Inductance Decrease Current	Temperature Rise Current
	( $\mu$ H)	(%)	( $\Omega$ ) MAX (Typ.)	(A) Typ.	(A) Typ.
ASPI-06P-R10M	0.10	$\pm 20\%$	0.0017 (0.0015)	60.0	32.5
ASPI-06P-R15M	0.15	$\pm 20\%$	0.0025 (0.0019)	52.0	26.0
ASPI-06P-R20M	0.20	$\pm 20\%$	0.0030 (0.0024)	41.0	24.0
ASPI-06P-R22M	0.22	$\pm 20\%$	0.0031 (0.0025)	40.0	23.0
ASPI-06P-R33M	0.33	$\pm 20\%$	0.0039 (0.0035)	30.0	20.0
ASPI-06P-R47M	0.47	$\pm 20\%$	0.0042 (0.0040)	26.0	17.5
ASPI-06P-R68M	0.68	$\pm 20\%$	0.0055 (0.0050)	25.0	15.5
ASPI-06P-R82M	0.82	$\pm 20\%$	0.0080 (0.0067)	24.0	13.0
ASPI-06P-1R0M	1.00	$\pm 20\%$	0.0100 (0.0090)	22.0	11.0
ASPI-06P-1R5M	1.50	$\pm 20\%$	0.0150 (0.0140)	18.0	9.0
ASPI-06P-2R2M	2.20	$\pm 20\%$	0.0200 (0.0180)	14.0	8.0
ASPI-06P-2R5M	2.50	$\pm 20\%$	0.0220 (0.0185)	13.0	8.0
ASPI-06P-3R3M	3.30	$\pm 20\%$	0.0300 (0.0280)	13.5	6.0
ASPI-06P-4R7M	4.70	$\pm 20\%$	0.0400 (0.0370)	10.0	5.5
ASPI-06P-6R8M	6.80	$\pm 20\%$	0.0600 (0.0540)	8.0	4.5
ASPI-06P-8R2M	8.20	$\pm 20\%$	0.0680 (0.0640)	7.5	4.0
ASPI-06P-100M	10.00	$\pm 20\%$	0.1050 (0.1020)	7.0	3.0

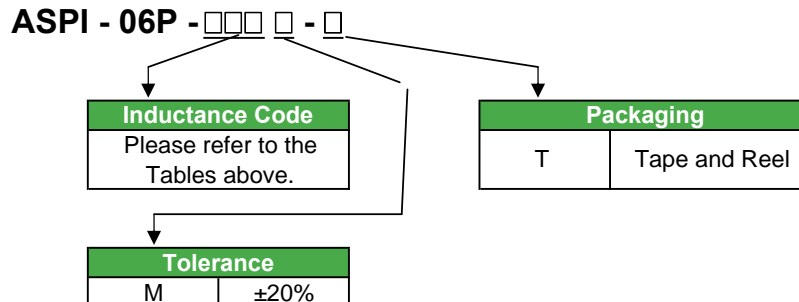
a. Inductance Decrease Current: The current at inductance  $\leq 20\%$  drop of initial value.

b. Temperature Rise Current: the current as the core temperature rises to 40°C Max.

c. Test Freq. : 200KHz / 0.25V.

## OPTIONS AND PART IDENTIFICATION:

(Left blank if standard)



# SHIELDED HIGH CURRENT POWER INDUCTOR



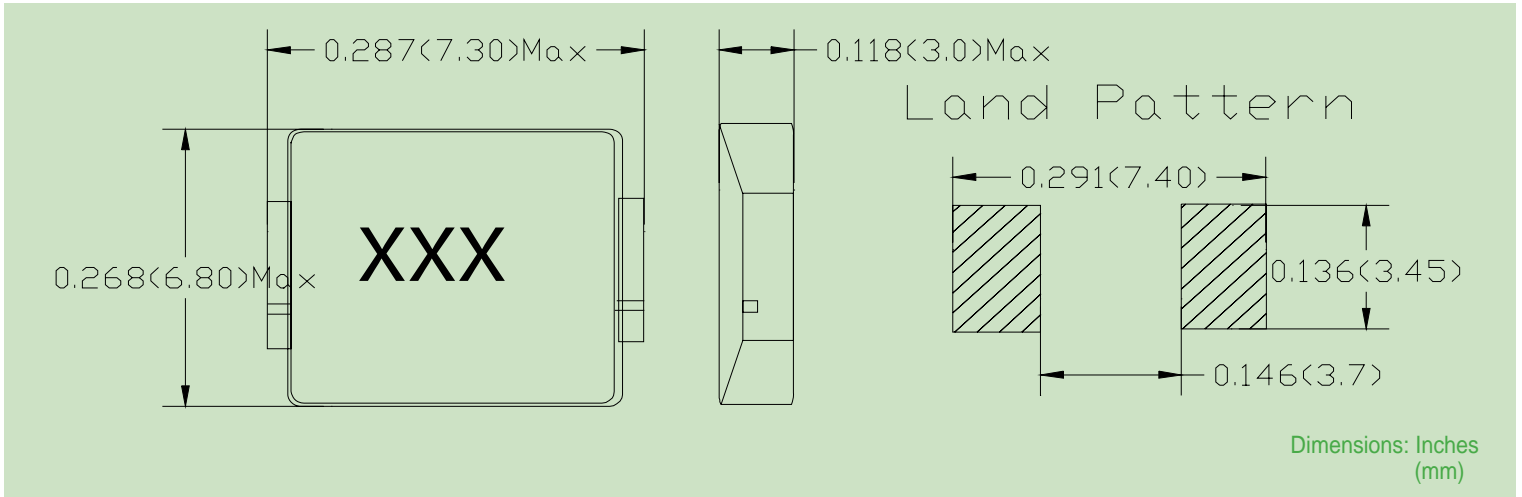
6.8 x 7.3 x 3.0 mm

ASPI-06P



RoHS  
Compliant

## OUTLINE DRAWING:



## TAPE & REEL: Tape and reel 1,000pcs/reel

