

5.0V HCMOS/TTL COMPATIBLE SMD CRYSTAL CLOCK OSCILLATOR



7.0 x 5.08 x 1.8 mm

ASL Series



FEATURES:

- HCMOS and TTL compatible.
- Available optional -40°C to 85°C extended temperature.
- Tri-state Enable/Disable function.
- IR reflow capable
- Seam sealed.

APPLICATIONS:

- Provide clock signals for microprocessors, PC mainboards, Graphic cards.
- High output drive capability applications.
- Personal computer, Laptop computer

STANDARD SPECIFICATIONS:

PARAMETERS	
ABRACON P/N:	ASL Series
Frequency range:	1.000 ~ 125.000 MHz
Operating temperature:	-10° C to + 70° C (See Options)
Storage temperature:	- 55° C to + 125° C
Overall frequency stability:	± 100 ppm max. (see options)
Supply voltage (Vdd):	5.0 V ± 10%
Input current:	See Table 1
Symmetry at 1/2Vdd:	40/60 % max. (see options)
Rise and fall time (Tr/Tf):	See Table 1
Output load:	10TTL or 50 pF (1MHz to 70MHz) 10TTL or 15 pF (70.001MHz to 125MHz)
Output voltage:	VOH = 0.9 * Vdd min. VOL = 0.4 * Vdc max.
Start-up time:	10 ms max.
Tri-state function :	"1" (VIH ≥ 0.7*Vdd) or open: Oscillation "0" (VIL < 0.3*Vdd) : Hi Z
Aging at 25°C/year:	±5ppm max.
RMS jitter:	± 25ps max.
Peak to Peak jitter:	± 100ps max.
Power down current (B option):	10µA max.

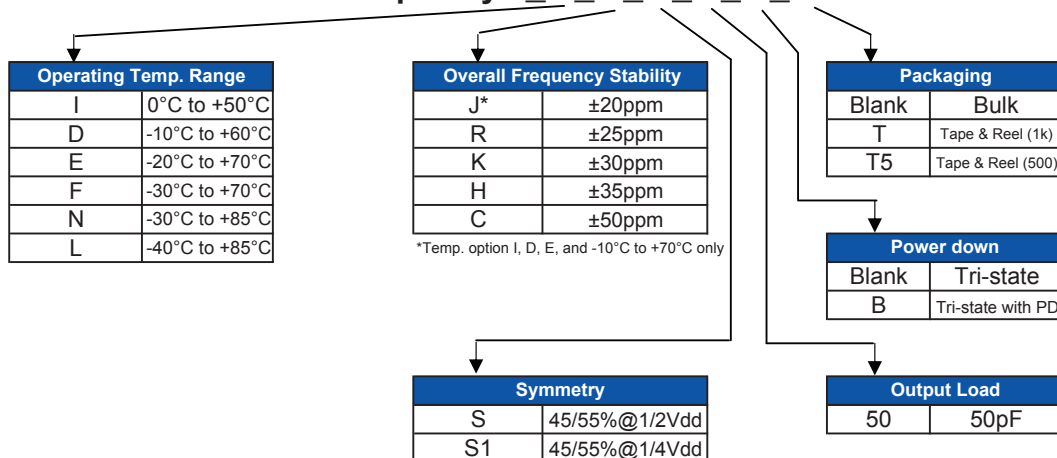
Table 1

Freq. (MHz)	Idd max. (mA)	Tr/Tf max. (nSec)	Freq. (MHz)	Idd max. (mA)	Tr/Tf max. (nSec)
1.0 ~ 34.99	25	10	60.01~100.0	60	5
35.0 ~ 60.0	40	5	100.01 ~ 125	80	2.5

OPTIONS & PART IDENTIFICATION:

(Left blank if standard)

ASL - Frequency - □ - □ - □ - □ - □ - □ - □



5.0V HCMOS/TTL COMPATIBLE SMD CRYSTAL CLOCK OSCILLATOR



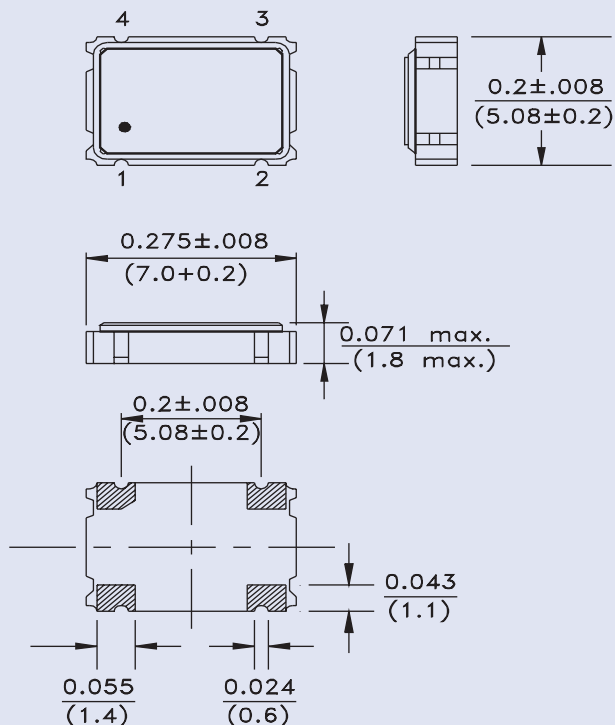
7.0 x 5.08 x 1.8 mm

ASL Series



RoHS
Compliant

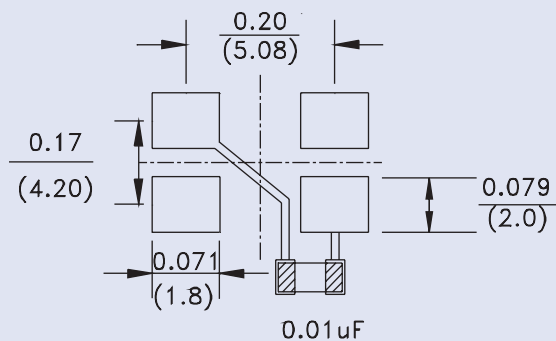
OUTLINE DRAWING:



Bottom view

Dimensions: inches (mm)

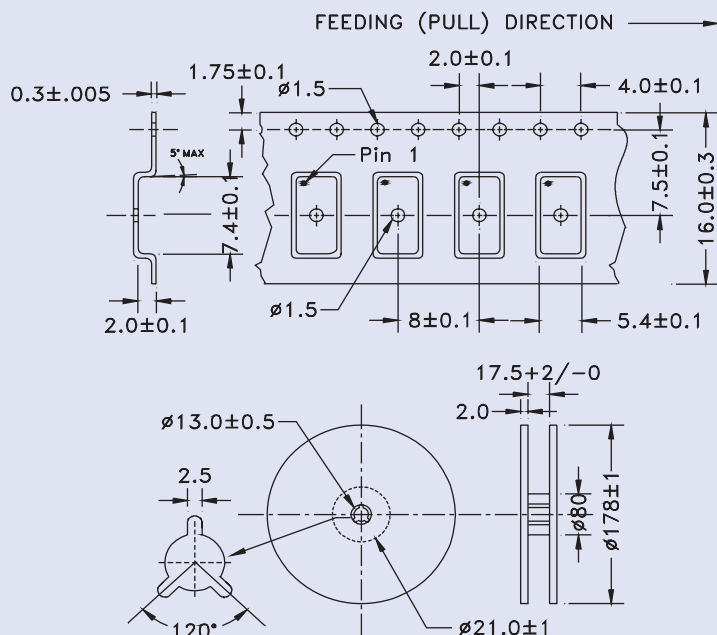
Recommended land pattern



PIN	FUNCTION
1	Tri-state Enable/Disable
2	GND/Case
3	Output
4	Vdd

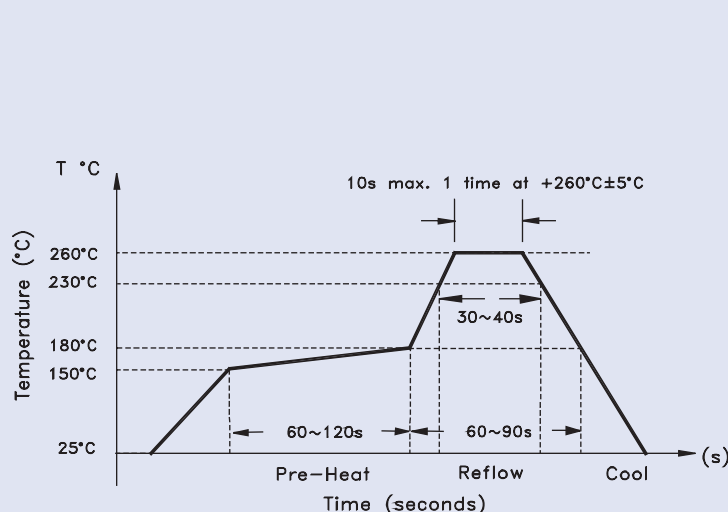
Note: Recommend using an approximately 0.01uF bypass capacitor between PIN 2 and 4.

TAPE & REEL:



Dimensions: mm

REFLOW PROFILE:



Need a test socket for the ASL Series? To view compatible **PRECISION TEST & BURN-IN SOCKETS** for these parts, click here. **P/N: AXS-7050-04-01**

NOTE: Abracon manufactured products are intended for general commercial and industrial use. For applications requiring high reliability and/or presenting extreme operating environment, written consent & authorization from Abracon is required.

ABRACON IS
ISO 9001 / QS 9000
CERTIFIED



Visit www.abracon.com for Terms & Conditions of Sale **Revised: 08.31.09**

30332 Esperanza, Rancho Santa Margarita, California 92688

tel 949-546-8000 | fax 949-546-8001 | www.abracon.com