

AP825 20W TO-126 High Power Resistors



A high quality, innovative T0126 style resistor package designed for high frequency emitter circuits in switching power supplies or in snubber and pulse handling circuits.



- Power Dissipation 20 watts with h/s (<200R – 10 watts)
- Value Range R01 – 51K
- Tolerance Options $\pm 1\%$ or $\pm 5\%$
- TCR Options $\pm 50 - 250\text{ppm}/^\circ\text{C}$ (re ohmic value)
- Maximum Voltage 500Vdc or $\sqrt{(P.R)}$
- Dielectric Strength 2000 Vdc
- Special Features This is a small thin package for high-density PCB mounting – current rating 25 amps max. RoHS Compliant

Characteristics

ITEM	SPECIFICATIONS			TEST CONDITIONS
Power Rating	20 Watts			at Tab temperature <25°C
Power Rating	1 Watt			Free air
Thermal Resistance	5.9°C/W			Hot spot to Tab
Resistance Range	R01-R09	R1-9R1	10R-51K	
TCR	250PPM/°C	100PPM/°C	50PPM/°C	-55 to +155°C
Tolerance	$\pm 5\%$ (J)	$\pm 1\%$ (F),5%(J)	$\pm 1\%$ (F),5%(J)	
Operation Temp. Range	-55°C to +155°C			
Max. Operating Volt	500V or \sqrt{PR}			
Dielectric Withstanding Volt	2kVdc			60 seconds between terminals and flange
Load Life	$\Delta R \pm (1.0 \% + 0.05\Omega)$			25°C, 90 min ON, 30 OFF, 1000hrs
Humidity	$\Delta R \pm (1.0 \% + 0.05\Omega)$			60°C, 90-95%RH, DC 0.1W, 1000hrs
Soldering Heat (Maximum)	$\Delta R \pm (1.0 \% + 0.05\Omega)$			250 \pm 5°C, 3 seconds
Solderability	OVER 95% of surface			230 \pm 5°C, 3 seconds
Insulation Resistance	Over 1,000 M Ω			Between terminals and tab
Vibration	$\Delta R \pm (0.25 \% \Omega)$			

Ordering Procedure

Standard Resistor: Series, Resistance and Tolerance Code.
e.g. AP825 R01 F

ARCOL UK Limited,
Threemilestone Ind. Estate,
Truro, Cornwall TR4 9LG, UK.
T +44 (0) 1872 277431
F +44 (0) 1872 222002
E sales@arcolresistors.com

www.arcolresistors.com

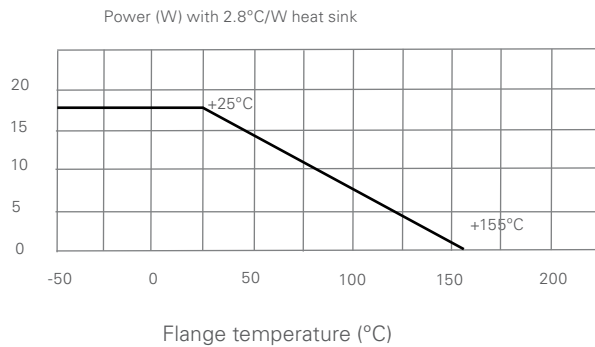
The information contained herein does not form part of a contract and is subject to change without notice. Arcol operate a policy of continual product development therefore, specifications may change.

It is the responsibility of the customer to ensure that the component selected from our range is suitable for the intended application. If in doubt please ask Arcol.

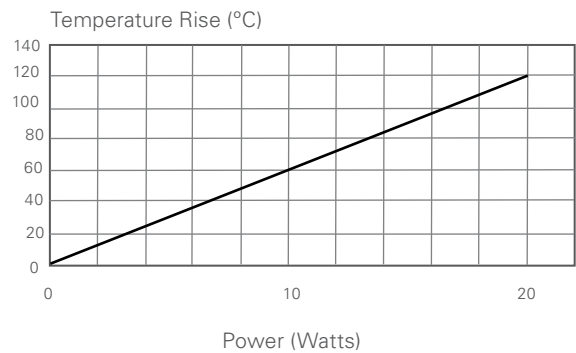
AP825 20W TO-220 High Power Resistors



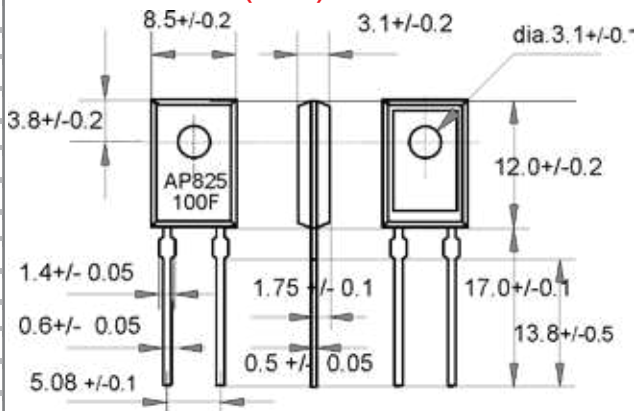
Derating Curve



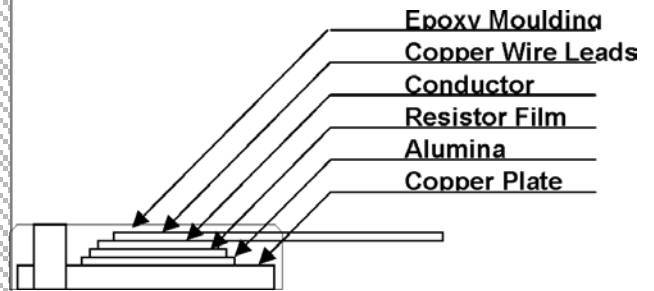
Temperature Rise



Dimensions (mm)



Structure and Materials



ARCOL UK Limited,
Threemilestone Ind. Estate,
Truro, Cornwall TR4 9LG, UK.
T +44 (0) 1872 277431
F +44 (0) 1872 222002
E sales@arcolresistors.com

www.arcolresistors.com

The information contained herein does not form part of a contract and is subject to change without notice. Arcol operate a policy of continual product development therefore, specifications may change.

It is the responsibility of the customer to ensure that the component selected from our range is suitable for the intended application. If in doubt please ask Arcol.