

AP725 20W TO-263 High Power Surface Mount Resistors



This novel surface mount power resistor in a TO263 style (D pak) will dissipate 20 watts subject to the case temperature being between, -55°C and +25°C. It can be soldered or clipped to the board



- Power Dissipation 20 watts with h/s 2.25 watts no h/s
- Value Range R01 – 51K
- Tolerance Options $\pm 1\%$ or $\pm 5\%$
- TCR Options $\pm 50 - 250\text{ppm}/^\circ\text{C}$ (re ohmic value)
- Maximum Voltage 500Vdc or $\sqrt{\text{P.R}}$
- Dielectric Strength 2000 Vdc
- Special Features The resistor will dissipate 20 watts subject to the case tab temperature being kept at 25°C max
RoHS Compliant

Characteristics

ITEMS	SPECIFICATION			TEST CONDITIONS
Power Rating	20 Watt			-55°C to +25°C Flange Temperature
	2.25 Watt			Without Heatsink
Thermal Resistance	3.3°C/W			Resistor Hotspot to Flange
Resistance Range	R01 - R09	R1 - 9R1	10R - 51K	Any value within range and tolerance
TCR (ppm/°C)	250	100	50	For -55°C to +155°C
Tolerance	$\pm 5\%$	$\pm 1\%$ & $\pm 5\%$	$\pm 1\%$ & $\pm 5\%$	
Operation Temperature Range	-55°C to +155°C			
Maximum Operating Voltage	500V or $\sqrt{\text{PR}}$			
Dielectric Withstanding Voltage	2000 Vac			60 Seconds
Load Life	$\Delta R = \pm 1\% + 0.5\Omega$			25°C, 90 min ON, 30 min OFF, 1000 Hours
Humidity	$\Delta R = \pm 1\% + 0.5\Omega$			40°C, 90 - 95%RH, DC 0.1W, 1000 Hours
Temperature Cycle	$\Delta R = \pm 1\% + 0.5\Omega$			-55°C, 30 min, +155°C, 30 min, 5 cycles
Soldering Heat (Max.)	$\Delta R = \pm 1\% + 0.5\Omega$			250 \pm 5°C, 3 seconds
Solderability	Minimum 90% Coverage			230 \pm 5°C, 3 seconds
Insulation Resistance	Over 1,000 M Ω			Between Terminals and Tab
Vibration	$\Delta R = \pm 0.25\% + 0.5\Omega$			

Ordering Procedure

Standard Resistor: Series, Resistance and Tolerance Code.
e.g. AP725 R01 F

Notes:

1. Electrically isolated metal tab.
2. Contact sales office for custom products, non-standard values and tolerances
3. Current Rating: 25A Maximum.

ARCOL UK Limited,
Threemilestone Ind. Estate,
Truro, Cornwall TR4 9LG, UK.
T +44 (0) 1872 277431
F +44 (0) 1872 222002
E sales@arcolresistors.com

www.arcolresistors.com

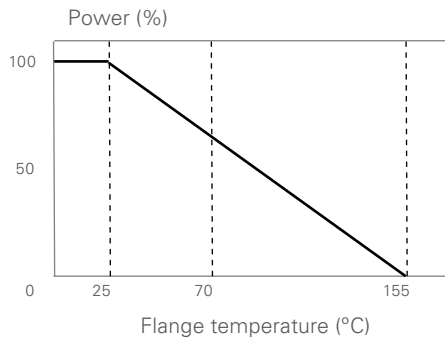
The information contained herein does not form part of a contract and is subject to change without notice. Arcol operate a policy of continual product development therefore, specifications may change.

It is the responsibility of the customer to ensure that the component selected from our range is suitable for the intended application. If in doubt please ask Arcol.

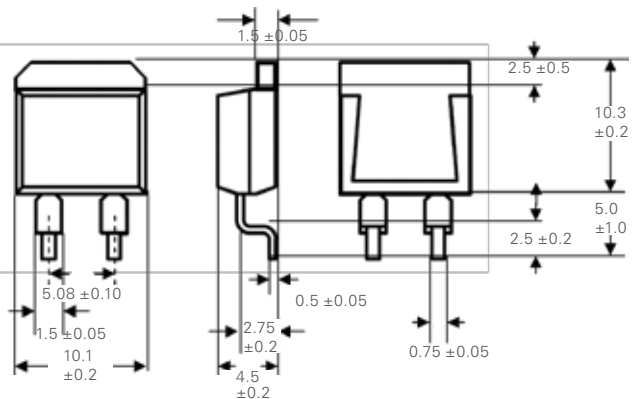
AP725 20W TO-263 High Power Surface Mount Resistors



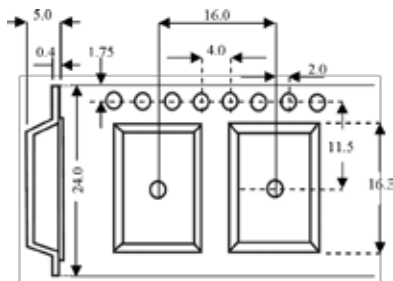
Derating Curve



Dimensions (mm)



Tape Dimensions and Orientation



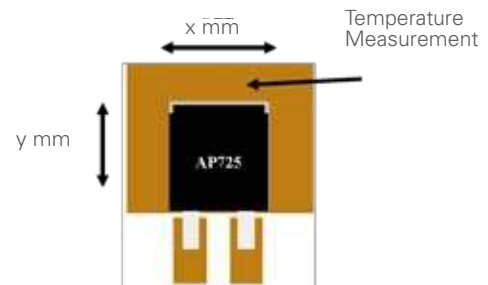
Reel Dimensions:

Outer Diameter: 300mm
 Inner Diameter: 100mm
 Width: 23.9mm min - 27.4mm max
 Quantity: 500pcs / reel

Reel Orientation:

Units to be orientated with pins facing sprocket holes

FR4 Thermal PSB Characterisation



Notes:

Characterisation carried out using 35µm PCB Copper pad weights, with the temperature of 90°C used as a maximum reference on the PCB
 P90°C, 35µm (W) is power when the measurement point reaches 90°C.

Pad dimensions (x,y in mm)	P90°C, 35µm (W)
50.40	4.5
45.35	4
40.30	3.5
35.25	3
20.10	2

ARCOL UK Limited,
 Threemilestone Ind. Estate,
 Truro, Cornwall TR4 9LG, UK.
 T +44 (0) 1872 277431
 F +44 (0) 1872 222002
 E sales@arcolresistors.com

www.arcolresistors.com

The information contained herein does not form part of a contract and is subject to change without notice. Arcol operate a policy of continual product development therefore, specifications may change.

It is the responsibility of the customer to ensure that the component selected from our range is suitable for the intended application. If in doubt please ask Arcol.