

Silicon-Based Technology Corp.

Small-Signal Schottky Barrier Diodes

SBT450F Series

SBT450F series are Schottky Barrier Diodes fabricated by a series of proprietary Schottky barrier patents and technologies (SBT[®]) developed by Silicon-Based Technology Corporation, which exhibit high-performance characteristics for modern switching, conversion and protection applications with high speed and low power consumptions. The package types as described in this data sheet are set forth in routine production; other packages are available upon special orders.

■ Features and Advantages:

- Low forward voltage drop (V_F)
- Low reverse leakage current (I_R)
- Very small conduction power loss
- Very small switching power loss
- Very high switching speed
- Very high reliability

■ Electrical Characteristics : (@ $T_A=25^{\circ}\text{C}$ unless otherwise specified)

Characteristic	Symbol	Min.	Typ.	Max.	Unit	Test Conditions
Reverse Breakdown Voltage (Note 2)	$V_{(BR)R}$	40	-	-	V	$I_R=10\mu\text{A}$
Forward Voltage (Note 2)	V_F	-	-	0.35	V	$I_F=10\text{mA}$
Reverse Leakage Current (Note 2)	I_R	-	-	0.5	μA	$V_R=10\text{V}$
Total Capacitance	C_T	-	6.0	-	pF	$V_R=10\text{V}$, $f=1\text{MHz}$
Reverse Recovery Time	t_{rr}	-	-	-	-	-



Silicon-Based Technology Corporation

1F, No. 23, R&D Rd. I, Hsinchu Science Park, Taiwan, R.O.C

Tel : 886-3-5777897

Fax : 886-3-5779832

**■ Maximum Ratings : (@ $T_A=25^{\circ}\text{C}$ unless otherwise specified)**

Characteristic	Symbol	Value	Unit
Peak Repetitive Reverse Voltage	V_{RRM}	45	V
Working Peak Reverse Voltage	V_{RWM}		
DC Blocking Voltage	V_R	40	V
Average Rectified Current (Note 1)	I_O	0.1	A
Forward Surge Current (Note 1) @ $t < 1.0\text{s}$	I_{FSM}	1	A
Power Dissipation (Note 1)	P_d	200	mW
Thermal Resistance Junction to Ambient (Note 1)	$R_{\theta JA}$	625	$^{\circ}\text{C}/\text{W}$
Operating Temperature Range	T_j	125	$^{\circ}\text{C}$
Storage Temperature Range	T_{STG}	-40 to +125	$^{\circ}\text{C}$

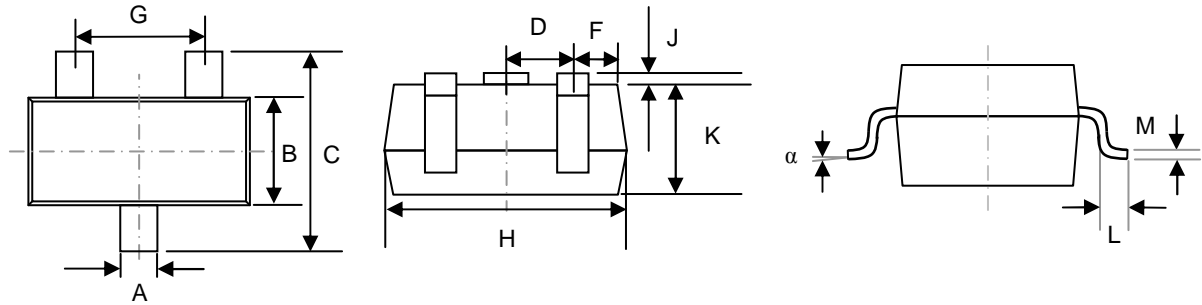
Notes: 1. Part mounted on FR4 PC Board with recommended pad layout, which can be found on our website at <http://www.sbt.com.tw>.

2. Short duration test pulse is used to minimize self-heating effect.

■ Package Data :

- Case: Molded Plastic Material (UL Flammability Classification 94V-0)
- Terminals: Solderable Plated Terminals (MIL-STD-202, Method 208)
- Lead Free Plating (Matte Tin Finish)
- Polarity: See device configurations below
- Approx. Weight: 0.0058 grams.
- Package outline and dimensions (see below)

SOT-323



DIMENSIONS (MM)

	A	B	C	D	F	G	H	J	K	L	M	α
Min.	0.25	1.15	2.00	0.65	0.30	1.20	1.80	0.0	0.90	0.25	0.10	0°
Max.	0.40	1.35	2.20	Nominal	0.40	1.40	2.20	0.10	1.00	0.40	0.18	8°

■ Ordering Information (Note 3)

Part Number	Marking Code	Packaging Type	Shipping
			7" Tape & Real
SBT450F	SBT4ED	SOT-323	3K

Notes: 3. Website at <http://www.sbt.com.tw>

4. Bulk package in a box form is also available upon request.

5. Day code marking is YM, in which Y represents year (For example: 2005 is marked by 5);

M represents month in a year (For example: March is marked by C; November is marked by K).



SBT450F Series

