

# Silicon-Based Technology Corp.

*Small-Signal Schottky Barrier Diodes*

**SBT40W Series**

SBT40W series are Schottky Barrier Diodes fabricated by a series of proprietary Schottky barrier patents and technologies (SBT<sup>®</sup>) developed by Silicon-Based Technology Corporation, which exhibit high-performance characteristics for modern switching, conversion and protection applications with high speed and low power consumptions. The package types as described in this data sheet are set forth in routine production; other packages are available upon special orders.

## ■ Features and Advantages:

- Low forward voltage drop ( $V_F$ )
- Low reverse leakage current ( $I_R$ )
- Very small conduction power loss
- Very small switching power loss
- Very high switching speed
- Very high reliability

## ■ Electrical Characteristics : (@ $T_A=25^\circ\text{C}$ unless otherwise specified)

Characteristic	Symbol	Min.	Max.	Unit	Test Conditions
Reverse Breakdown Voltage (Note 2)	$V_{(BR)R}$	40	-	V	$I_R=10\mu\text{A}$
Forward Voltage (Note 2)	$V_F$	-	320 800	mV mV	$I_F=1.0\text{mA}$ , $t_p<300\mu\text{S}$ $I_F=40\text{mA}$ , $t_p<300\mu\text{S}$
Leakage Current (Note 2)	$I_R$	-	200	nA	$V_R=30\text{V}$
Total Capacitance	$C_T$	-	5.0	pF	$V_R=0$ , $f=1.0\text{MHz}$
Reverse Recovery Time	$t_{rr}$	-	5.0	ns	$I_F=I_R=10\text{mA}$ , $I_{rr}=0.1 \times I_R$ , $R_L=100\Omega$



**Silicon-Based Technology Corporation**

1F, No. 23, R&D Rd. I, Hsinchu Science Park, Taiwan, R.O.C

Tel : 886-3-5777897

Fax : 886-3-5779832

**■ Maximum Ratings : (@T<sub>A</sub>=25°C unless otherwise specified)**

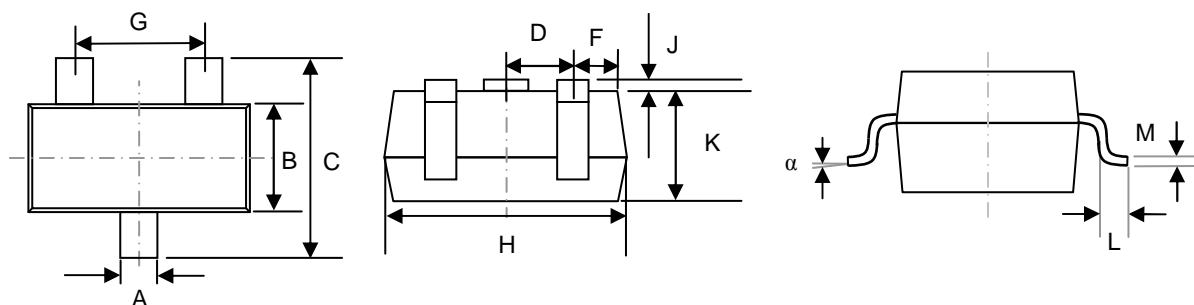
<b>Characteristic</b>	<b>Symbol</b>	<b>Value</b>	<b>Unit</b>
Peak Repetitive Reverse Voltage	V <sub>RRM</sub>		
Working Peak Reverse Voltage	V <sub>RWM</sub>	40	V
DC Blocking Voltage	V <sub>R</sub>		
RMS Reverse Voltage	V <sub>R(RMS)</sub>	28	V
Forward Continuous Current (Note 1)	I <sub>FM</sub>	200	mA
Non-Repetitive Peak Forward Surge Current @t=1.0s	I <sub>FSM</sub>	600	mA
Power Dissipation (Note 1)	P <sub>d</sub>	200	mW
Thermal Resistance Junction to Ambient (Note 1)	R <sub>θJA</sub>	625	°C/W
Operating Temperature Range	T <sub>j</sub>	-55 to +125	°C
Storage Temperature Range	T <sub>STG</sub>	-65 to +150	°C

- Notes: 1. Device is mounted on FR-4 PC board with a recommended pad layout, which can be found on our website at [www.sbt.com.tw](http://www.sbt.com.tw)
2. Short duration test pulse is used to minimize self-heating effect.

**■ Package Data :**

- Case: Molded Plastic Material (UL Flammability Classification 94V-0)
- Terminals: Solderable Plated Terminals (MIL-STD-202, Method 208)
- Lead Free Plating (Matte Tin Finish)
- Polarity: See device configurations below
- Approx. Weight: 0.006 grams
- Package outline and dimensions (see below)

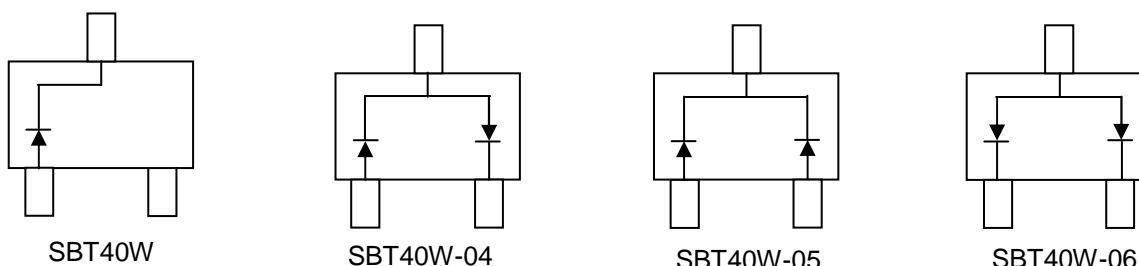
### SOT-323



DIMENSIONS (MM)												
	A	B	C	D	F	G	H	J	K	L	M	$\alpha$
Min.	0.25	1.15	2.00	0.65	0.30	1.20	1.80	0.0	0.90	0.25	0.10	0°
Max.	0.40	1.35	2.20	Nominal	0.40	1.40	2.20	0.10	1.00	0.40	0.18	8°

#### ■ Device Configurations :

### TOP VIEW



SBT40W

SBT40W-04

SBT40W-05

SBT40W-06

#### ■ Ordering Information (Note 3)

Part Number	Marking Code	Packaging Type	Shipping
			7" Tape & Real
SBT40W	SBTDW1	SOT-323	3K
SBT40W-04	SBTDW2	SOT-323	3K
SBT40W-05	SBTDW3	SOT-323	3K
SBT40W-06	SBTDW4	SOT-323	3K

Notes: 3. Website at <http://www.sbt.com.tw>

4. Bulk package in a box form is also available upon request.

5. Day code marking is YM, in which Y represents year (For example: 2005 is marked by 5);

M represents month in a year (For example: March is marked by C; November is marked by K).