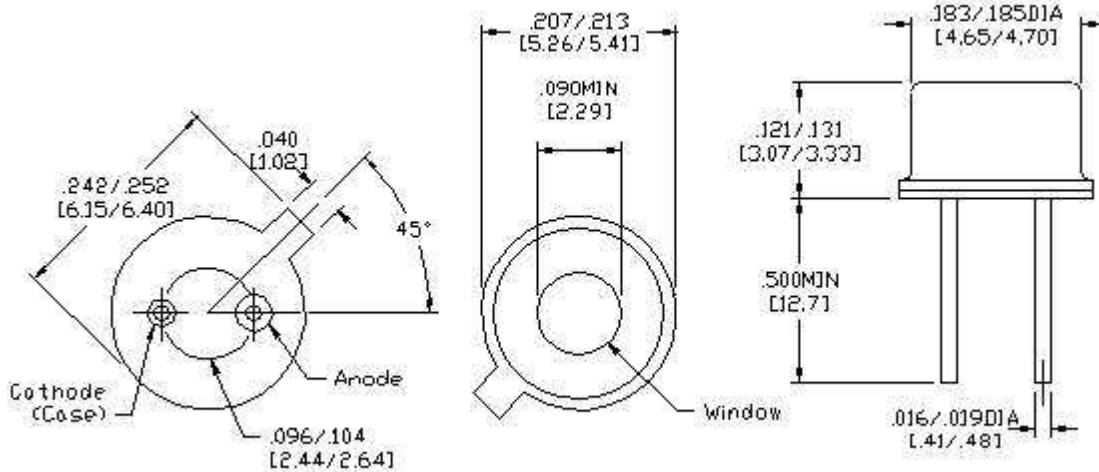


**DESCRIPTION**

This is a high speed InGaAs detector optimized for fiber optic applications requiring high Responsivity and a fast response time.

**FEATURES**

- High Responsivity
- High Electrical Bandwidth/ Fast response time
- High Reliability/ Hermetic Package
- 500 μm Diameter Active Area



**ABSOLUTE MAXIMUM RATINGS**

- Storage temperature..... -55°C to +125°C
- Case operating temperature..... -40°C to +85°C
- Lead solder temperature..... 260°C, 10 seconds
- Reverse Breakdown Voltage..... 15 Volts
- Reverse Current..... 5 mA
- Forward Current..... 30 mA

**OUTLINE DIMENSIONS**

Tolerances are +/- 0.005 inches, except as noted  
 The case is electrically isolated from the pins.

PARAMETER	TEST CONDITION	SYMBOL	MIN	TYP	MAX	UNIT
Dark Current	Vr = 5 Volts, H = 0 mW	Id		10	100	nA
Capacitance	Vr = 0 V, f = 1 MHz	C		25	50	pF
Responsivity	Vr = 5 Volts λ = 1.31 μm	R <sub>c</sub>	.75	0.85		A/W
Responsivity	Vr = 5 Volts λ = 1.55 μm	R <sub>c</sub>	.85	1.0		A/W
Spectral Response		λ	800		1700	nm
Response Time	10%-90%, Vr = 5 Volts	t <sub>r</sub> t <sub>f</sub>		6 6	12 12	nsec nsec

**ELECTRO-OPTICAL CHARACTERISTICS (Case T = 25°C)**