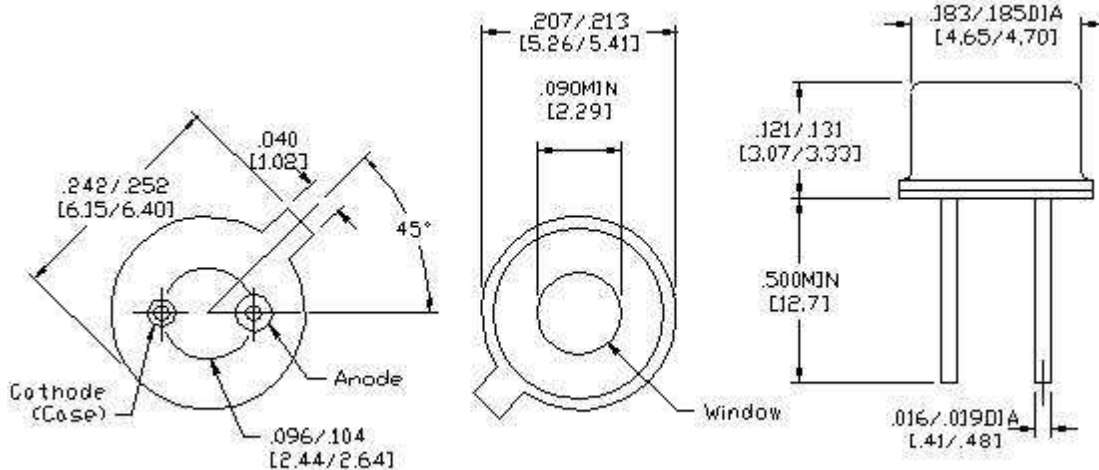


DESCRIPTION

This is a high speed InGaAs detector optimized for fiber optic applications requiring high Responsivity and a fast response time.

FEATURES

- High Responsivity
- High Electrical Bandwidth/ Fast response time
- High Reliability/ Hermetic Package
- 55 µm Diameter Active Area



ABSOLUTE MAXIMUM RATINGS

- Storage temperature..... -55°C to +125°C
- Case operating temperature..... -40°C to +85°C
- Lead solder temperature..... 260°C, 10 seconds
- Reverse Breakdown Voltage..... 30 Volts
- Reverse Current..... 250 µA
- Forward Current..... 5 mA

OUTLINE DIMENSIONS

Tolerances are +/- 0.005 inches, except as noted
 The case is electrically isolated from the pins.

PARAMETER	TEST CONDITION	SYMBOL	MIN	TYP	MAX	UNIT
Dark Current	Vr = 5 Volts, H = 0 mW	Id		0.1	2	nA
Capacitance	Vr = 0 V, f = 1 MHz	C		0.55	1.5	pF
Responsivity	Vr = 5 Volts λ = 1.31 µm	R _c	.8	0.9		A/W
Responsivity	Vr = 5 Volts λ = 1.55 µm	R _c	.9	1.05		A/W
Spectral Response		λ	800		1700	nm
Response Time	10%-90%, Vr = 5 Volts	t _r t _f		0.07 0.07		nsec nsec

ELECTRO-OPTICAL CHARACTERISTICS (Case T = 25°C)