

FEATURES

- 10 μ s Short Circuit Withstand
- High Thermal Cycling Capability
- Non Punch Through Silicon
- Isolated Cu Base with Al₂O₃ Substrates
- Lead Free Construction

APPLICATIONS

- High Reliability Inverters
- Motor Controllers

The Powerline range of high power modules includes half bridge, chopper, dual, single and bi-directional switch configurations covering voltages from 600V to 3300V and currents up to 2400A.

The DIM400DDS12-A000 is a dual switch 1200V, n-channel enhancement mode, insulated gate bipolar transistor (IGBT) module. The IGBT has a wide reverse bias safe operating area (RBSOA) plus 10 μ s short circuit withstand. This device is optimised for traction drives and other applications requiring high thermal cycling capability.

The module incorporates an electrically isolated base plate and low inductance construction enabling circuit designers to optimise circuit layouts and utilise grounded heat sinks for safety.

ORDERING INFORMATION

Order As:

DIM400DDS12-A000

Note: When ordering, please use the complete part number

KEY PARAMETERS

| | |
|-----------------------|-------|
| V_{CES} | 1200V |
| $V_{CE(sat)}$ * (typ) | 2.2 V |
| I_C (max) | 400A |
| $I_{C(PK)}$ (max) | 800A |

* Measured at the power busbars, not the auxiliary terminals

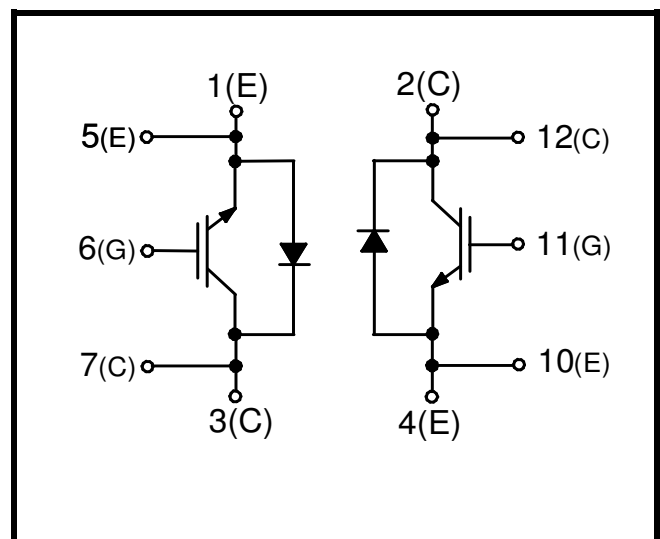
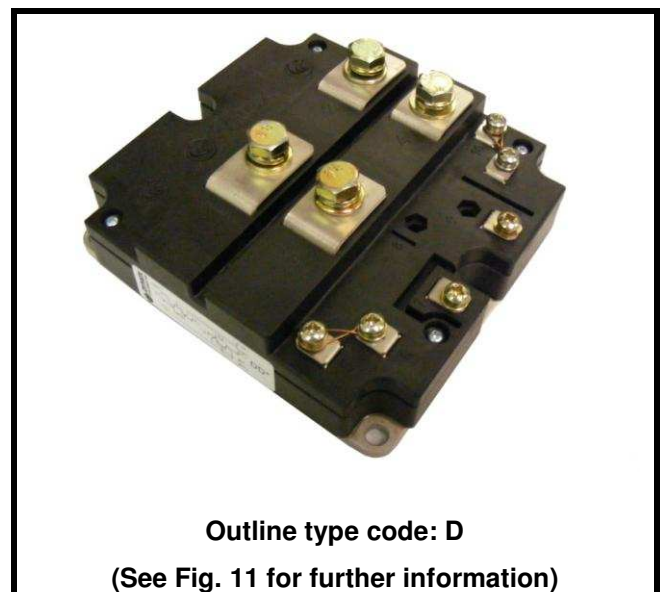


Fig. 1 Circuit configuration



Outline type code: D

(See Fig. 11 for further information)

Fig. 2 Package

ABSOLUTE MAXIMUM RATINGS

Stresses above those listed under 'Absolute Maximum Ratings' may cause permanent damage to the device. In extreme conditions, as with all semiconductors, this may include potentially hazardous rupture of the package. Appropriate safety precautions should always be followed. Exposure to Absolute Maximum Ratings may affect device reliability.

$T_{case} = 25\text{ }^{\circ}\text{C}$ unless stated otherwise

| Symbol | Parameter | Test Conditions | Max. | Units |
|-------------|-----------------------------------|---|----------|-----------------------|
| V_{CES} | Collector-emitter voltage | $V_{GE} = 0V$ | 1200 | V |
| V_{GES} | Gate-emitter voltage | | ± 20 | V |
| I_C | Continuous collector current | $T_{case} = 85\text{ }^{\circ}\text{C}$ | 400 | A |
| $I_{C(PK)}$ | Peak collector current | 1ms, $T_{case} = 115\text{ }^{\circ}\text{C}$ | 800 | A |
| P_{max} | Max. transistor power dissipation | $T_{case} = 25\text{ }^{\circ}\text{C}$, $T_j = 150\text{ }^{\circ}\text{C}$ | 3470 | W |
| I^2t | Diode I^2t value | $V_R = 0$, $t_p = 10\text{ms}$, $T_j = 125\text{ }^{\circ}\text{C}$ | 25 | kA^2s |
| V_{isol} | Isolation voltage – per module | Commoned terminals to base plate. AC RMS, 1 min, 50Hz | 2500 | V |

THERMAL AND MECHANICAL RATINGS

| | |
|-----------------------------------|-------------------------|
| Internal insulation material: | Al_2O_3 |
| Baseplate material: | Cu |
| Creepage distance: | 20mm |
| Clearance: | 10mm |
| CTI (Comparative Tracking Index): | 350 |

| Symbol | Parameter | Test Conditions | Min | Typ. | Max | Units |
|---------------|--|--|-----|------|-----|------------------------------|
| $R_{th(j-c)}$ | Thermal resistance – transistor (per switch) | Continuous dissipation - junction to case | - | - | 36 | $^{\circ}\text{C}/\text{kW}$ |
| $R_{th(j-c)}$ | Thermal resistance – diode (per switch) | Continuous dissipation - junction to case | - | - | 80 | $^{\circ}\text{C}/\text{kW}$ |
| $R_{th(c-h)}$ | Thermal resistance – case to heatsink (per module) | Mounting torque 5Nm (with mounting grease) | - | - | 8 | $^{\circ}\text{C}/\text{kW}$ |
| T_j | Junction temperature | Transistor | - | - | 150 | $^{\circ}\text{C}$ |
| | | Diode | - | - | 125 | $^{\circ}\text{C}$ |
| T_{stg} | Storage temperature range | - | -40 | - | 125 | $^{\circ}\text{C}$ |
| | Screw torque | Mounting – M6 | - | - | 5 | Nm |
| | | Electrical connections – M4 | - | - | 2 | Nm |
| | | Electrical connections – M8 | - | - | 10 | Nm |

ELECTRICAL CHARACTERISTICS
T_{case} = 25 °C unless stated otherwise.

| Symbol | Parameter | Test Conditions | Min | Typ | Max | Units | |
|------------------------|---|--|----------------|-----|------|-------|---|
| I _{CES} | Collector cut-off current | V _{GE} = 0V, V _{CE} = V _{CES} | | | 0.5 | mA | |
| | | V _{GE} = 0V, V _{CE} = V _{CES} , T _{case} = 125 °C | | | 12 | mA | |
| I _{GES} | Gate leakage current | V _{GE} = ± 20V, V _{CE} = 0V | | | 2 | μA | |
| V _{GE(TH)} | Gate threshold voltage | I _C = 20mA, V _{GE} = V _{CE} | 4.5 | 5.5 | 6.5 | V | |
| V _{CE(sat)} † | Collector-emitter saturation voltage | V _{GE} = 15V, I _C = 400A | | 2.2 | 2.8 | V | |
| | | V _{GE} = 15V, I _C = 400A, T _j = 125 °C | | 2.6 | 3.2 | V | |
| I _F | Diode forward current | DC | | | 400 | A | |
| I _{FM} | Diode maximum forward current | t _p = 1ms | | | 800 | A | |
| V _F † | Diode forward voltage | I _F = 400A | | 2.1 | 2.4 | V | |
| | | I _F = 400A, T _j = 125 °C | | 2.1 | 2.4 | V | |
| C _{ies} | Input capacitance | V _{CE} = 25V, V _{GE} = 0V, f = 1MHz | | 45 | | nF | |
| Q _g | Gate charge | ±15V | | 4 | | μC | |
| C _{res} | Reverse transfer capacitance | V _{CE} = 25V, V _{GE} = 0V, f = 1MHz | | | | nF | |
| L _M | Module inductance – per switch | | | 20 | | nH | |
| R _{INT} | Internal transistor resistance – per switch | | | 270 | | μΩ | |
| SC _{Data} | Short circuit current, I _{SC} | T _j = 125 °C, V _{CC} = 900V t _p ≤ 10μs, V _{GE} ≤ 15V V _{CE(max)} = V _{CES} – L* x di/dt IEC 60747-9 | I ₁ | | 2750 | | A |
| | | | I ₂ | | 2250 | | A |

Note:

† Measured at the power busbars, not the auxiliary terminals

 * L is the circuit inductance + L_M

ELECTRICAL CHARACTERISTICS

$T_{\text{case}} = 25^{\circ}\text{C}$ unless stated otherwise

| Symbol | Parameter | Test Conditions | Min | Typ. | Max | Units |
|---------------------|--------------------------------|--|-----|------|-----|---------------|
| $t_{d(\text{off})}$ | Turn-off delay time | $I_C = 400\text{A}$ $V_{GE} = \pm 15\text{V}$ $V_{CE} = 600\text{V}$ $R_{G(\text{ON})} = 3.3\Omega$ $R_{G(\text{OFF})} = 3.3\Omega$ $L_S \sim 100\text{nH}$ | | 710 | | ns |
| t_f | Fall time | | | 70 | | ns |
| E_{OFF} | Turn-off energy loss | | | 60 | | mJ |
| $t_{d(\text{on})}$ | Turn-on delay time | | | 190 | | ns |
| t_r | Rise time | | | 100 | | ns |
| E_{ON} | Turn-on energy loss | | | 40 | | mJ |
| Q_{rr} | Diode reverse recovery charge | $I_F = 400\text{A}$ $V_{CE} = 600\text{V}$ $di_F/dt = 4700\text{A}/\mu\text{s}$ | | 55 | | μC |
| I_{rr} | Diode reverse recovery current | | | 300 | | A |
| E_{rec} | Diode reverse recovery energy | | | 17 | | mJ |

$T_{\text{case}} = 125^{\circ}\text{C}$ unless stated otherwise

| Symbol | Parameter | Test Conditions | Min | Typ. | Max | Units |
|---------------------|--------------------------------|--|-----|------|-----|---------------|
| $t_{d(\text{off})}$ | Turn-off delay time | $I_C = 400\text{A}$ $V_{GE} = \pm 15\text{V}$ $V_{CE} = 600\text{V}$ $R_{G(\text{ON})} = 3.3\Omega$ $R_{G(\text{OFF})} = 3.3\Omega$ $L_S \sim 100\text{nH}$ | | 890 | | ns |
| t_f | Fall time | | | 100 | | ns |
| E_{OFF} | Turn-off energy loss | | | 60 | | mJ |
| $t_{d(\text{on})}$ | Turn-on delay time | | | 440 | | ns |
| t_r | Rise time | | | 125 | | ns |
| E_{ON} | Turn-on energy loss | | | 60 | | mJ |
| Q_{rr} | Diode reverse recovery charge | $I_F = 400\text{A}$ $V_{CE} = 600\text{V}$ $di_F/dt = 4000\text{A}/\mu\text{s}$ | | 85 | | μC |
| I_{rr} | Diode reverse recovery current | | | 320 | | A |
| E_{rec} | Diode reverse recovery energy | | | 32 | | mJ |

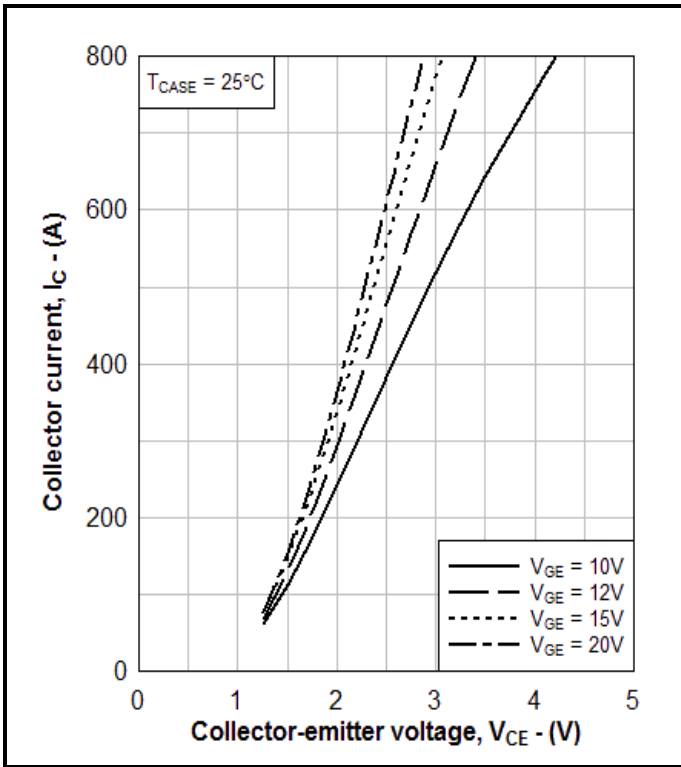


Fig. 3 Typical output characteristics

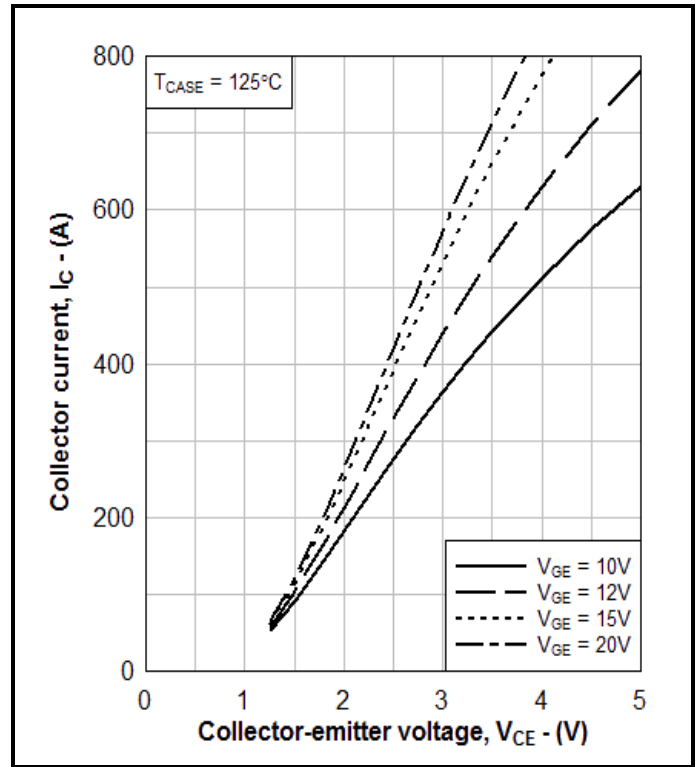


Fig. 4 Typical output characteristics

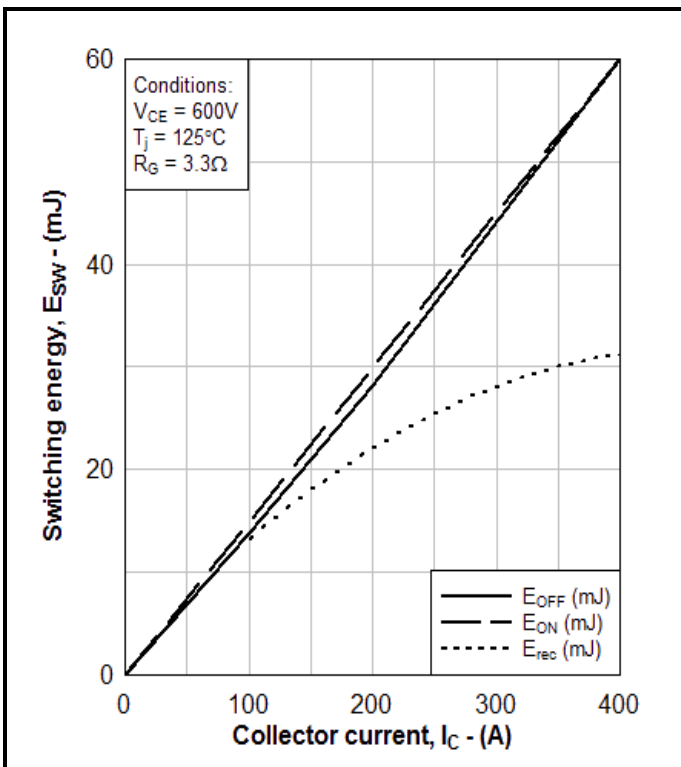


Fig. 5 Typical switching energy vs collector current

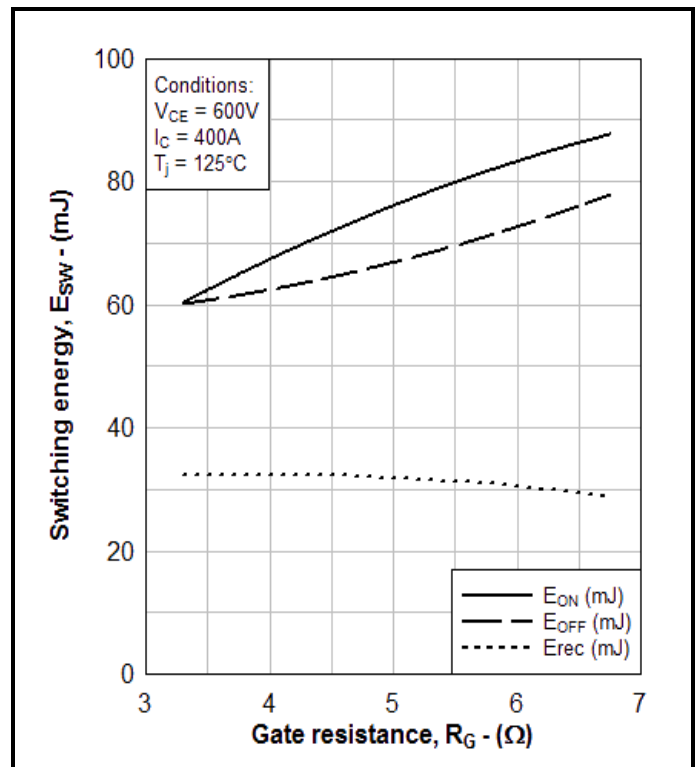


Fig. 6 Typical switching energy vs gate resistance

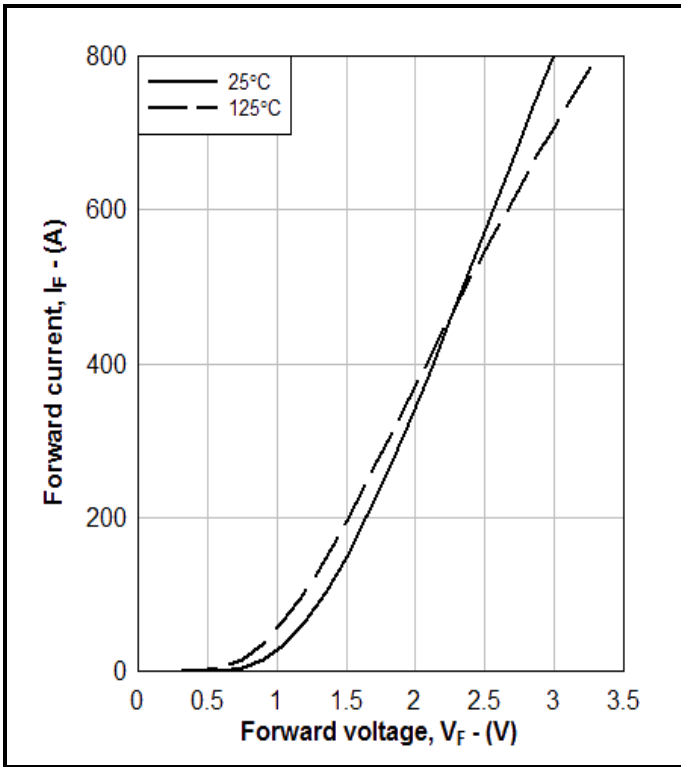


Fig. 7 Diode typical forward characteristics

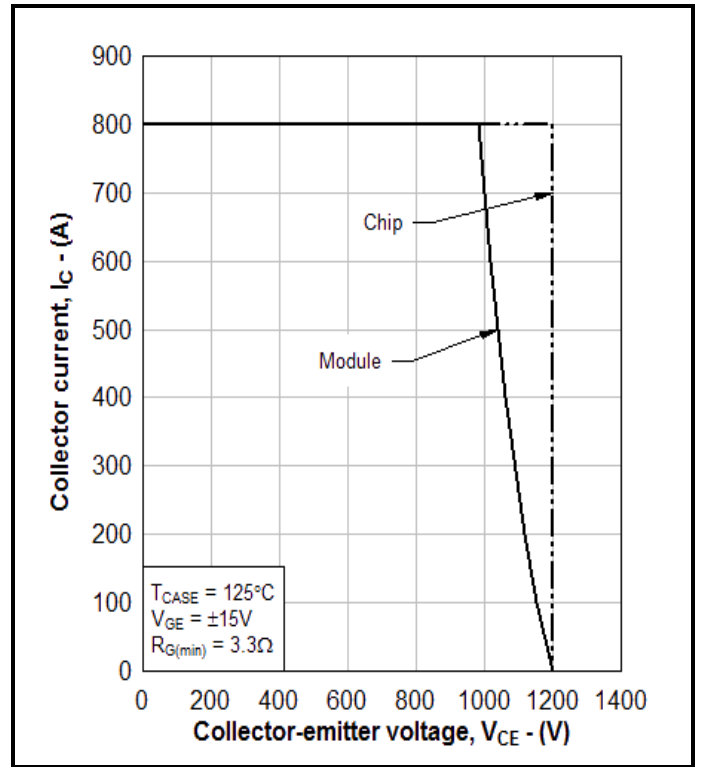


Fig. 8 Reverse bias safe operating area

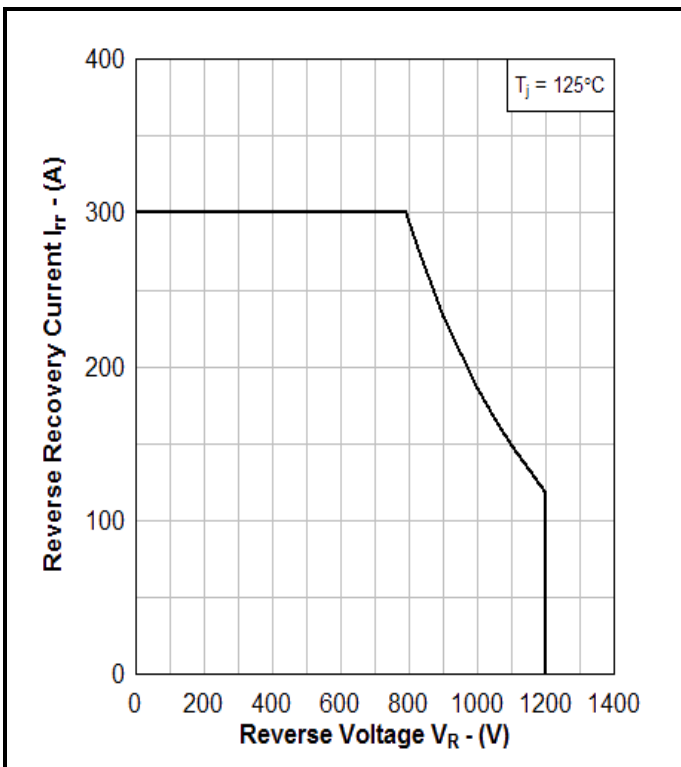


Fig. 9 Diode reverse bias safe operating area

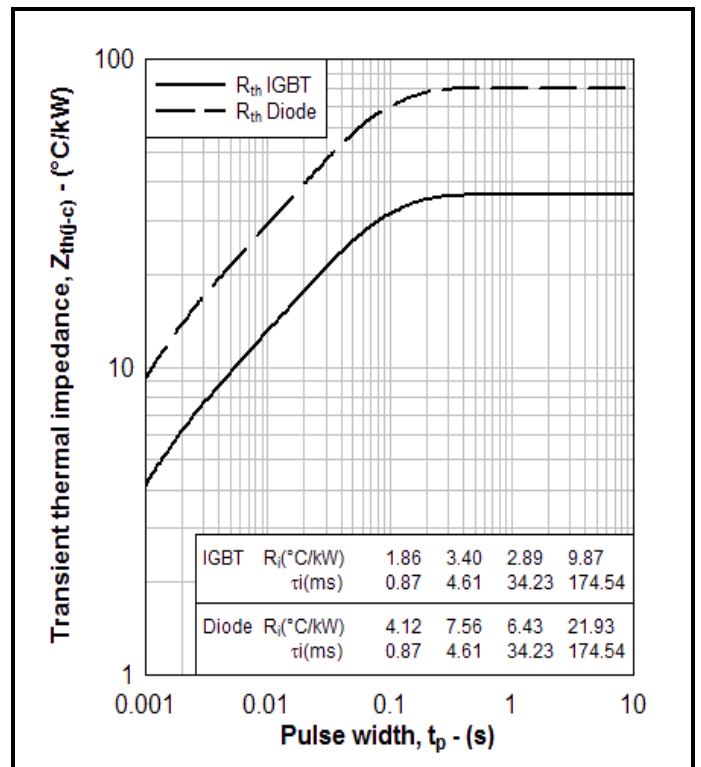
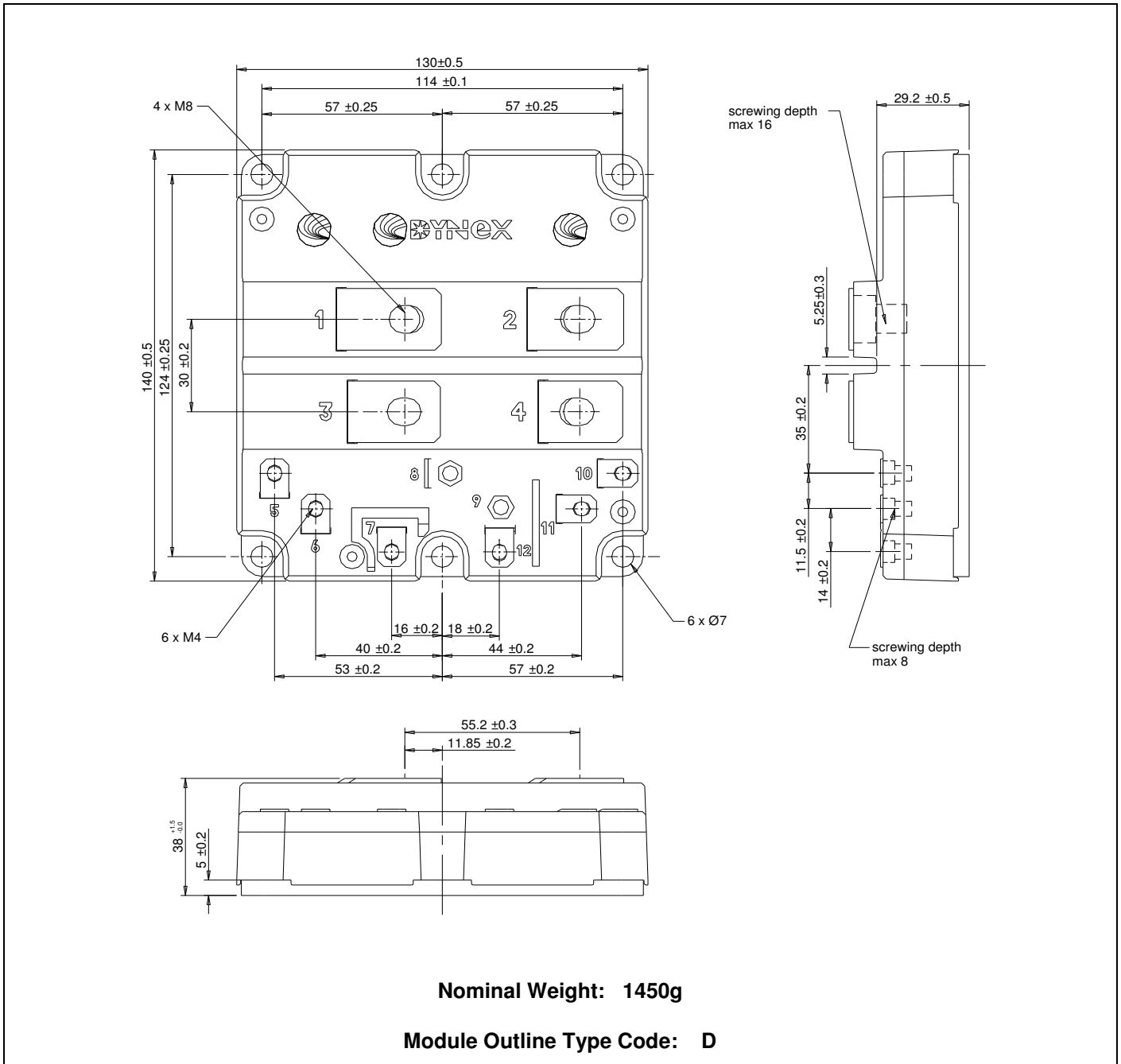


Fig. 10 Transient thermal impedance

PACKAGE DETAILS

For further package information, please visit our website or contact Customer Services.
 All dimensions in mm, unless stated otherwise.
DO NOT SCALE.



Nominal Weight: 1450g
Module Outline Type Code: D
Fig. 11 Module outline drawing

HEADQUARTERS OPERATIONS**DYNEX SEMICONDUCTOR LTD**

Doddington Road, Lincoln
Lincolnshire, LN6 3LF, United Kingdom

Fax: +44(0)1522 500550

Tel: +44(0)1522 500500

CUSTOMER SERVICE**DYNEX SEMICONDUCTOR LTD**

Doddington Road, Lincoln
Lincolnshire, LN6 3LF, United Kingdom

Fax: +44(0)1522 500020

Tel: +44(0)1522 502901 / 502753

email: power_solutions@dynexsemi.com

© Dynex Semiconductor TECHNICAL DOCUMENTATION – NOT FOR RESALE. PRODUCED IN UNITED KINGDOM.

Datasheet Annotations: Dynex Semiconductor annotate datasheets in the top right hand corner of the front page, to indicate product status.

The annotations are as follows:-

| | |
|---------------------------------|---|
| Target Information: | This is the most tentative form of information and represents a very preliminary specification. No actual work on the product has been started. |
| Preliminary Information: | The product is in design and development. The datasheet represents the product as it is understood but may change. |
| Advance Information: | The product design is complete and final characterisation for volume production is well in hand. |
| No Annotation: | The product parameters are fixed and the product is available to datasheet specification. |

This publication is issued to provide information only which (unless agreed by the company in writing) may not be used, applied or reproduced for any purpose nor form part of any order or contract nor to be regarded as a representation relating to the products or services concerned. No warranty or guarantee expressed or implied is made regarding the capability, performance or suitability of any product or service. The Company reserves the right to alter without prior notice the specification, design or price of any product or service. Information concerning possible methods of use is provided as a guide only and does not constitute any guarantee that such methods of use will be satisfactory in a specific piece of equipment. It is the users responsibility to fully determine the performance and suitability of any equipment using such information and to ensure that any publication or data used is up to date and has not been superseded. These products are not suitable for use in any medical products whose failure to perform may result in significant injury or death to the user. All products and materials are sold and services provided subject to the Company's conditions of sale, which are available on request.

All brand names and product names used in this publication are trademarks, registered trademarks or trade names of their respective owners.