

DESCRIPTION

The Accutek family of ZIP Adapter Modules is designed to convert any digital integrated circuit in SOIC package to side-mounted ZIP modules. The Accutek ZIP Modules can be used to save space on thru-hole boards or replace unavailable monolithic ZIP devices.

The family consists of a series of unique low-profile printed circuit boards designed to accept ICs in either the narrow (0.150") or wide (0.300") SOIC packages along with a decoupling chip capacitor. The SOIC's are converted to standardized ZIP (ZIG ZAG In-line Package) components suitable for thru-hole mounting on complex circuit boards.

Custom designed ZIP adapters are also supplied by Accutek for adapting SOIC packaged analog circuits, providing for power and ground on unique pins and special shielding between input and output functions. Two or more functions can be mounted on both sides of the adapter to create a low height multi-chip ZIP module.

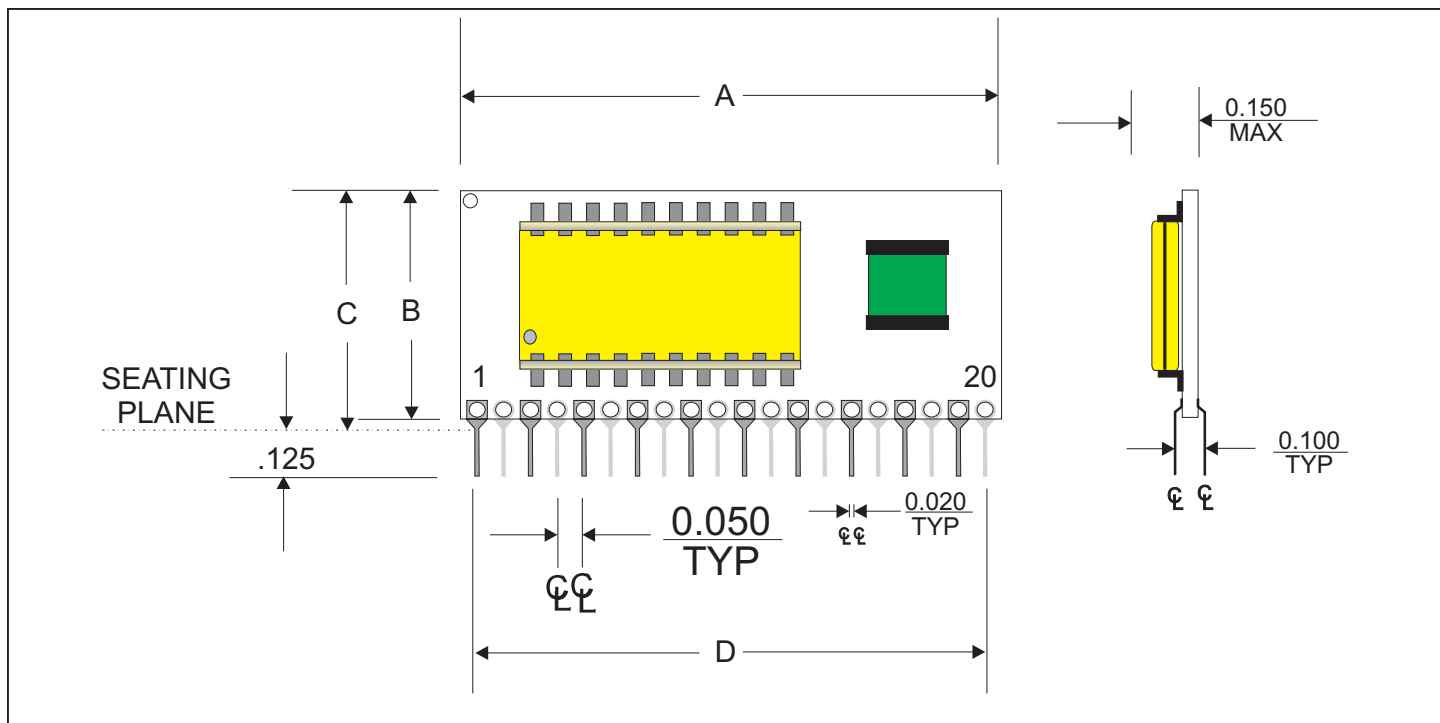
The low height of each module allows use in products with low height restrictions, such as circuit boards used in VMEbus, STDbus and Multibus II applications. The Accutek ZIP configurations depicted allow adaptation of nearly any digital integrated circuit for use where available circuit board space is at a premium.

FEATURES

- Adapts any 14, 16, 20, 24 or 28 pin digital IC for vertical mounting in circuit boards.
- Unique configurations available for analog functions.
- Custom multi-chip configurations for special functions.
- Mother board circuit density dramatically increased by up to 65% compared to conventional DIP or SOIC.
- Typical width needed for IC reduced from 0.325" to 0.150".
- On-board decoupling capacitor chip reduces mother board assembly time.
- AccuZIP modules adapt any narrow (0.150") or wide (0.300") digital IC for high density designs
- Ideal for use in VMEbus, STDbus and Multibus II board designs.

AccuZIP Adapter Modules

(Drawing depicts 20 lead AccuZIP adapter module)



MECHANICAL DIMENSIONS

Module Configuration	Dimensions			
	B	C	A	D
14 Lead Narrow Body (N)	0.45	0.47	0.70	14 Leads
16 Lead Narrow Body (N)	0.45	0.47	0.80	16 Leads
16 Lead Wide Body (W)	0.50	0.52	0.80	16 Leads
20 Lead Narrow Body (N)	0.45	0.47	1.00	20 Leads
20 Lead Wide Body (W)	0.50	0.52	1.00	20 Leads
24 Lead Wide Body (W)	0.50	0.52	1.20	24 Leads
28 Lead Body (W)	0.52	0.54	1.40	28 Leads

Dimensions in inches. Pin-out sequence corresponds directly to that of IC used, with Pin 1 on the left edge of the front side, and the final even-numbered pin at the opposite end on the back side.

SPECIAL CONFIGURATIONS

While AccuZIP modules allow you to acquire any digital integrated circuit as a standard component for high density assembly, Accutek will employ the same technology to fill your specialized needs.

Contact us for unique solutions requiring ZIP-mounted products for:

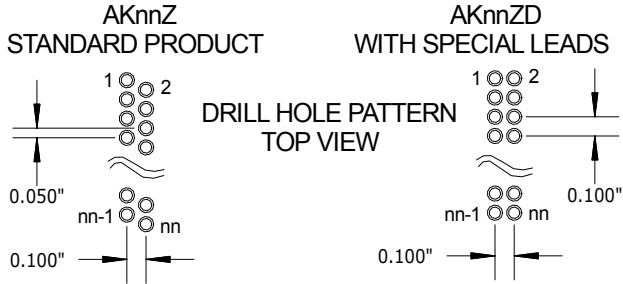
- Linear/Analog Ics
- Any kind of semiconductor memory (SRAM, FIFO, EEPROM, EPROM, DRAM)
- PGA, PAL, GAL, FPLA, EPLD devices
- Multi-chip modules in any combination



5 NEW PASTURE ROAD
 NEWBURYPORT, MA 01950-4040
 PHONE: 978-465-6200 FAX: 978-462-3396
 Email: sales@accutekmicro.com
 Internet: www.accutekmicro.com

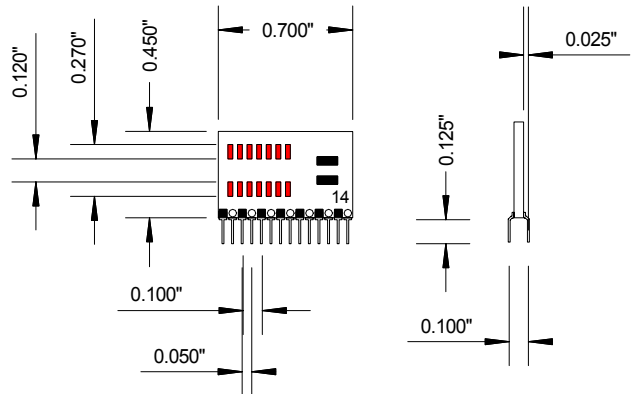
OPTIONS:

Accutek's standard ZIP product has two rows of pins spaced 0.100" apart and staggered 0.050" in a Zigzag pattern. We can manufacture this product with special leads that form the leads in two non-staggered rows on a 0.100" standard grid. There is a slight cost premium to cover the extra processing for the ZD option.



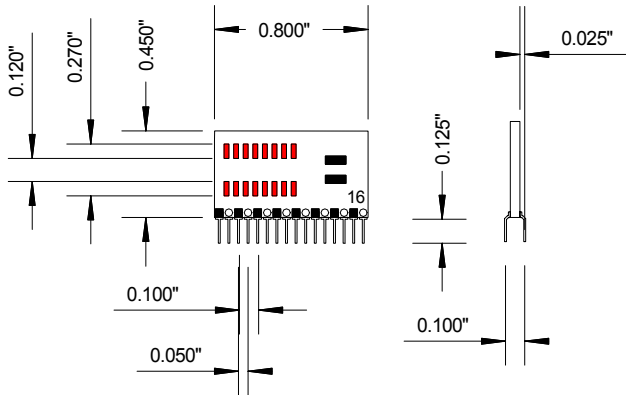
AK14Z-N

14 PIN NARROW SOIC TO ZIP



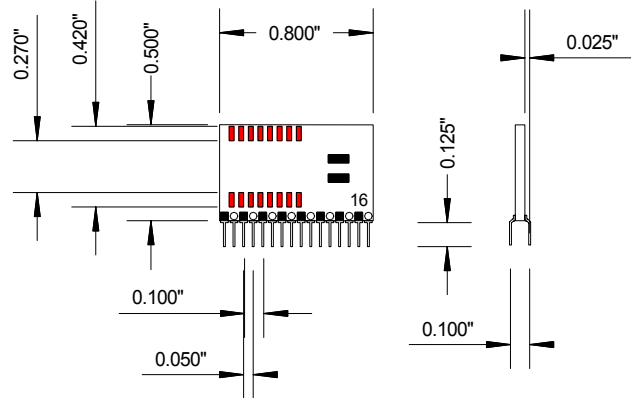
AK16Z-N

16 PIN NARROW SOIC TO ZIP



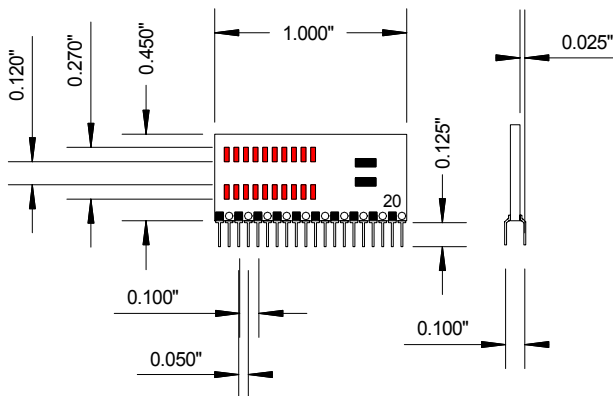
AK16Z-W

16 PIN WIDE SOIC TO DIP



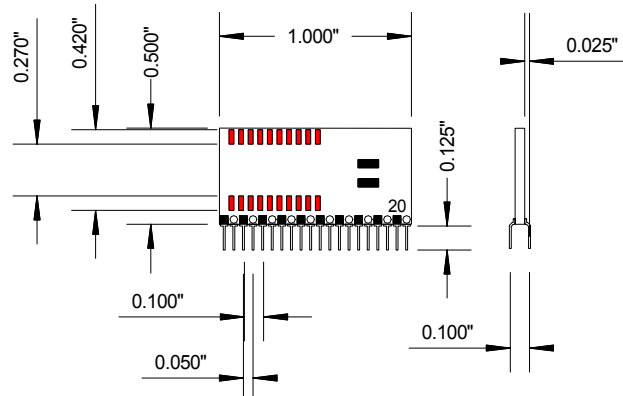
AK20Z-N

20 PIN NARROW SOIC TO ZIP

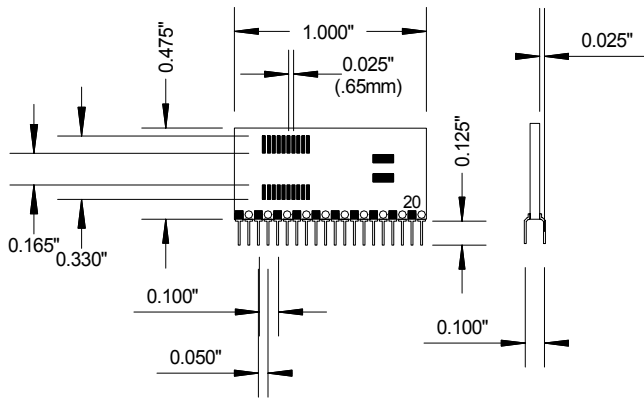


AK20Z-W

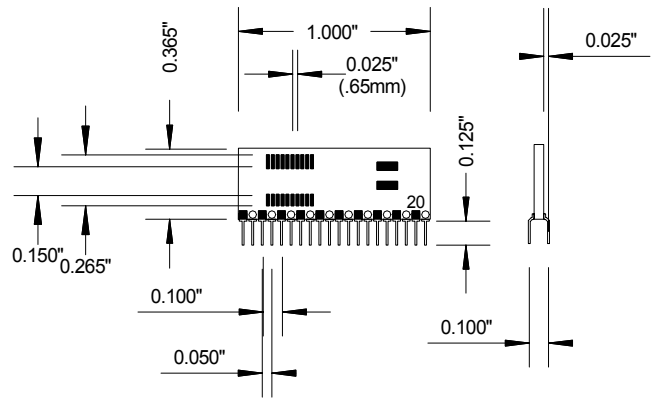
20 PIN WIDE SOIC TO ZIP



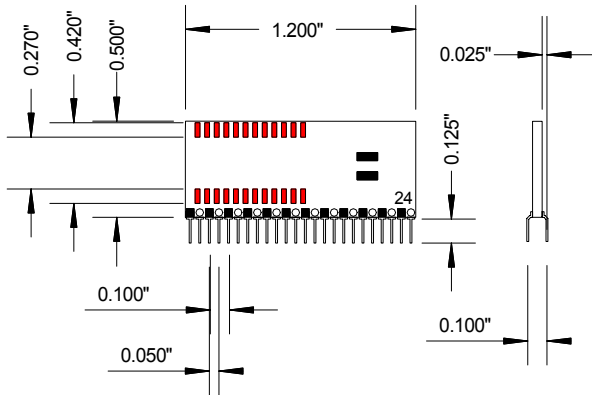
AK20Z-QSOP
20 PIN QSOP OR SSOP TO ZIP



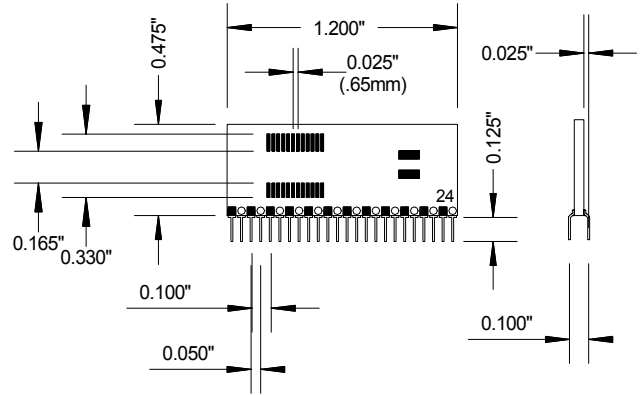
AK20Z-QSOP-LH
20 PIN QSOP OR SSOP TO LOW HEIGHT ZIP



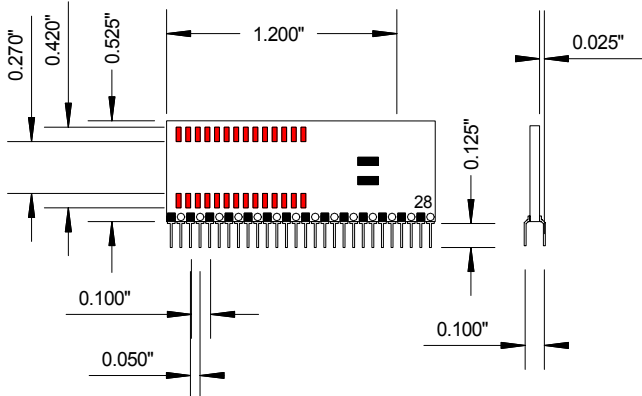
AK24Z-W
24 PIN WIDE SOIC TO ZIP



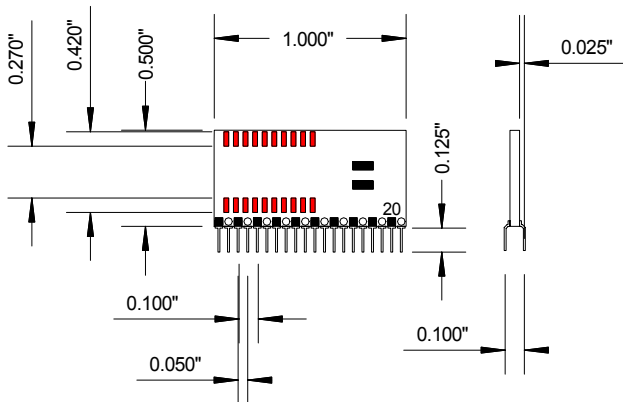
AK24Z-QSOP
24 PIN QSOP OR SSOP TO ZIP



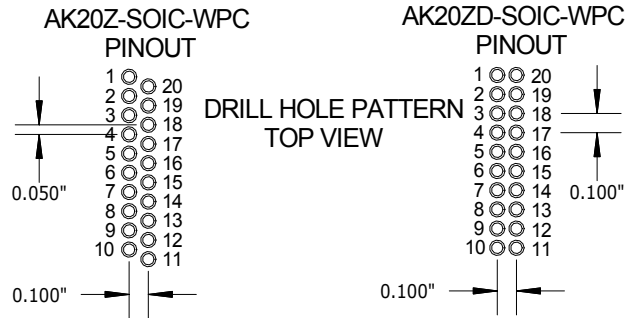
AK28Z-W
28 PIN WIDE SOIC TO ZIP



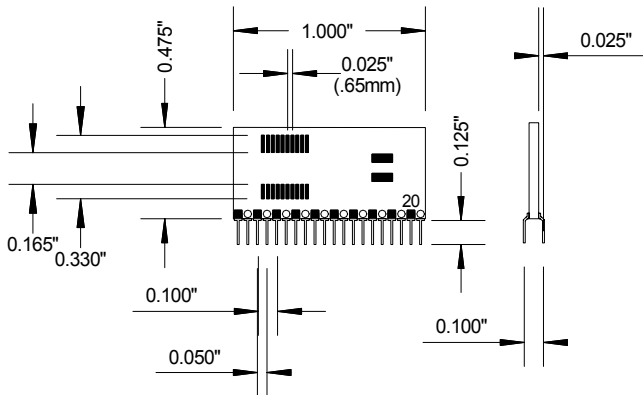
AK20Z-SOIC-WPC
 20 PIN WIDE SOIC TO ZIP
 NON STANDARD PINOUT



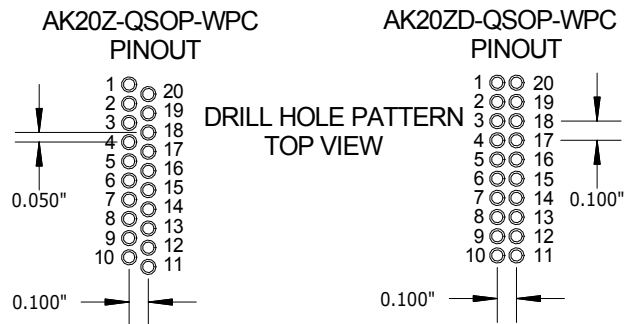
Accutek's "WPC" ZIP product has the same mechanical dimensions as the standard product. These ZIPs have a different pinout as illustrated below.



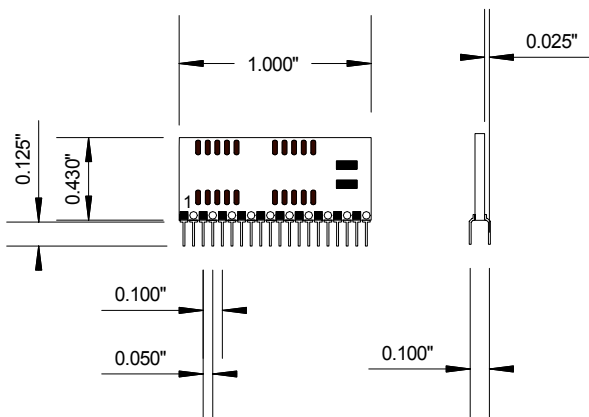
AK20Z-QSOP-WPC
 20 PIN QSOP OR SSOP TO ZIP
 NON STANDARD PINOUT



Accutek's "WPC" ZIP product has the same mechanical dimensions as the standard product. These ZIPs have a different pinout as illustrated below.



AK20Z-SOJ
 (for 1Meg & 4 Meg DRAMs)



AK5464Z
 (64K x 4 DRAM)

