

**Small Outline Package
SOIC, SOJ and PLCC DIP Adapters
IC's with leads on 0.050" Centers**

**SSOP DIP ADAPTER
MODULES
ELIMINATE THE
NEED TO
REDESIGN
MOTHERBOARDS
OR MAY BE USED
FOR
BREADBOARD
PROTOTYPING**

DESCRIPTION

This new family of Accutek DIP Adapter Modules converts surface mount IC's to pin compatible DIP packages for creating drop-in replacements for end-of-life DIP IC's. Package types supported are: SOIC (Small Outline Package), SOJ and PLCC.

These DIP Adapters were developed for users with motherboard designs that require DIP's, now obsolete by manufacturers. These adapter modules save costly motherboard redesigns.

Available with machined or flat contact pins. Accutek DIP Adapter Modules feature 8 to 84 pins, are fully assembled and tested and may include a decoupling capacitor. These DIP Adapters can be manufactured turnkey or from customer supplied surface mount IC's. Modules range in length from 0.400" to 4.200" depending on number of pins and incorporate 0.300", 0.400", 0.600", 0.900", 1.200" and 1.400" row-to-row spacing with 0.100" lead spacing.

Custom configurations up to 200 pins, multi-chip and double sided modules are also available for special functions. A variety of pin lengths with varying diameters as well as custom sizes and spacing can be specified with different materials and finishes. All modules are designed in-house using PCB CAD workstations. Automated assembly and 100% testing are also performed in-house.

FEATURES

- Saves costly redesign of current motherboards
- Fully tested with lifetime limited warranty
- May include an on board decoupling capacitor
- IC assembly and testing available
- EPROM and Flash programming available
- Custom lead lengths available
- Custom multi-chip and double-sided modules available

ORDERING OPTIONS

- Adapter only
- Customer supplies chips - Accutek assembles on Accutek adapters, tests and delivers finished product in antistatic tubes.
- Complete turnkey - Accutek purchases IC's and passives. Then assembles, tests and delivers finished product in antistatic tubes.



5 NEW PASTURE ROAD
NEWBURYPORT, MA 01950-4040
PHONE: 978-465-6200 FAX: 978-462-3396
Email: sales@accutekmicro.com
Internet: www.accutekmicro.com

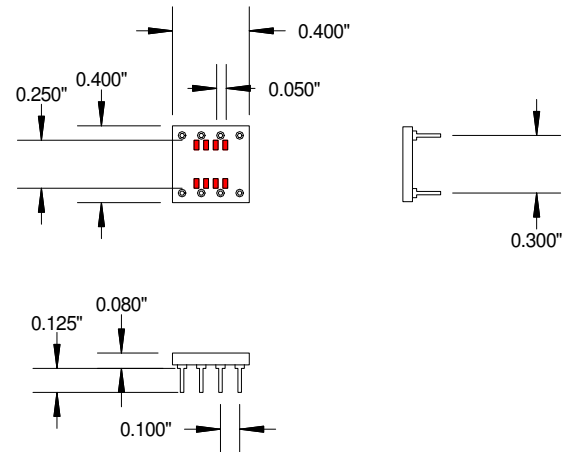
We can assemble your chips on to our adapter boards. Fully automated assembly and test at our Newburyport, Massachusetts facility.



No job to large or small.

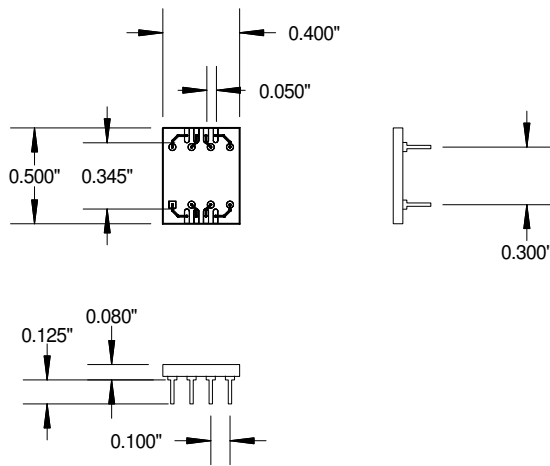
AK08D300-NSO

8 PIN SOIC TO DIP



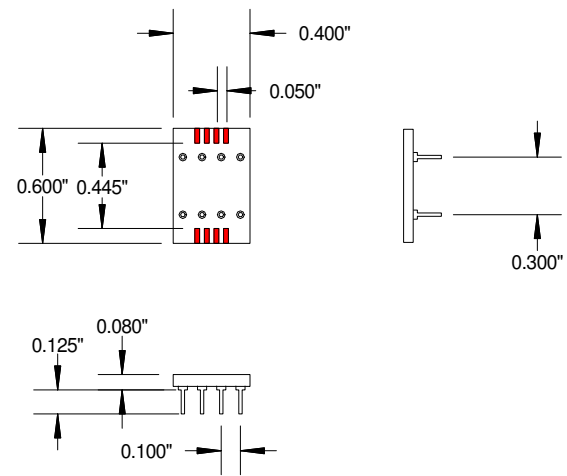
AK08D300-WSO

8 PIN WIDE SOIC TO DIP



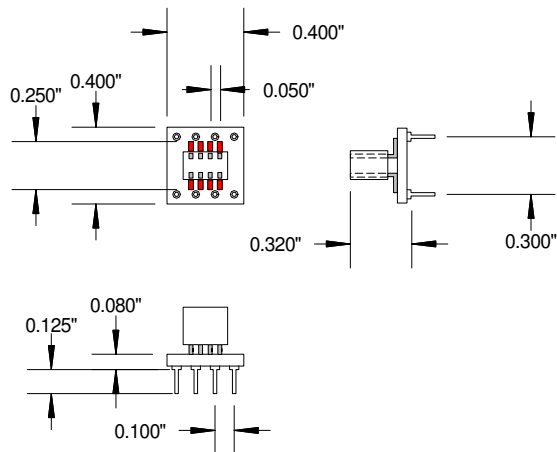
AK08D300-HSOP

8 PIN HSOP TO DIP



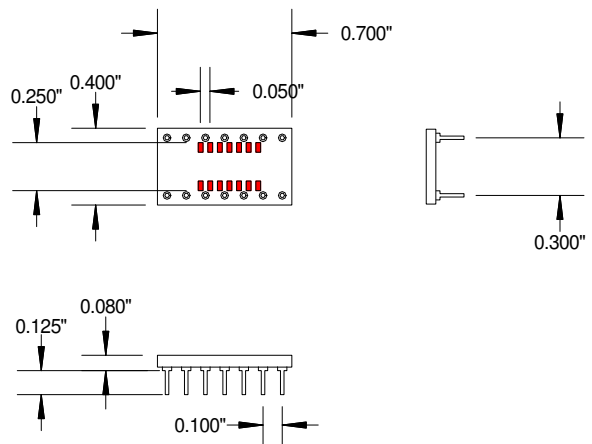
AK08DS300-SOSPA

8 PIN PROGRAMMING ADAPTER
FOR EEPROM SOIC ADAPTER
SOCKET AK08SOIC-ST

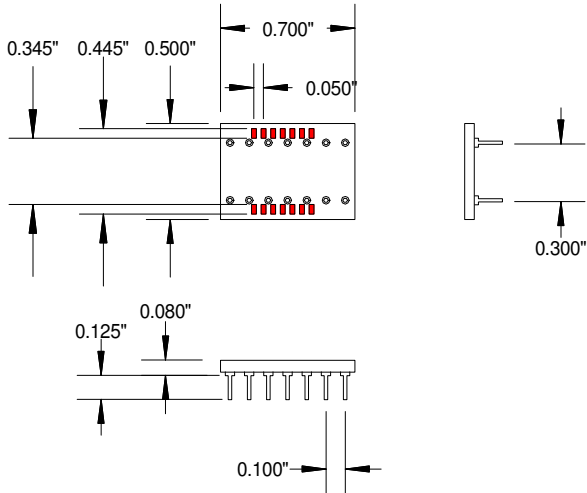


AK14D300-NSO

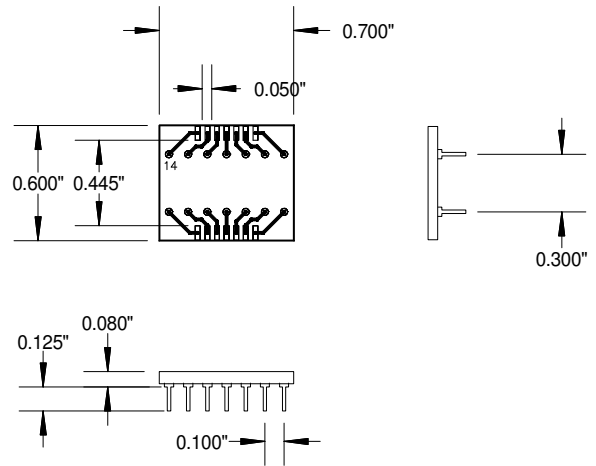
14 PIN SOIC TO DIP



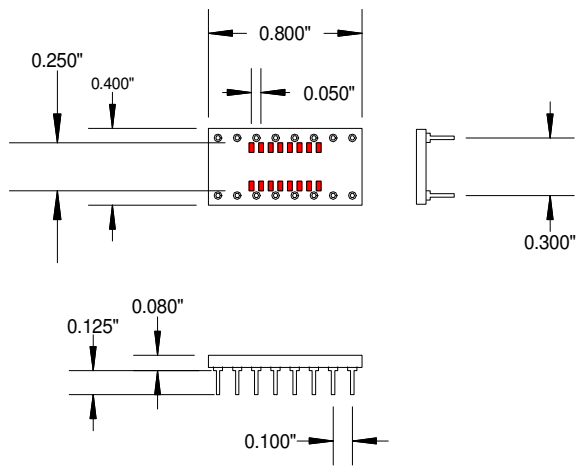
AK14D300-WSO
14 PIN WIDE SOIC TO DIP



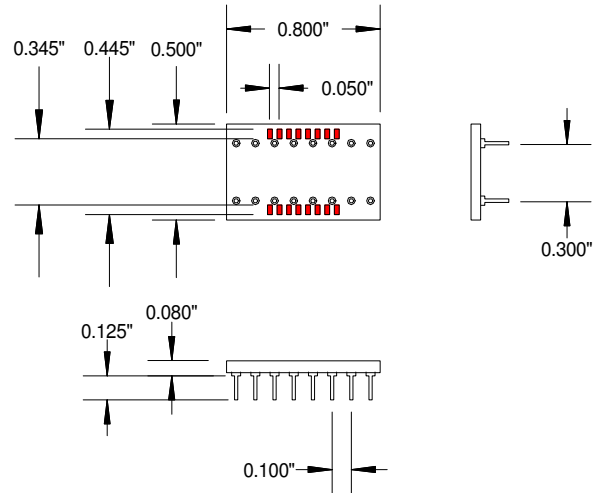
AK14D300-HSOP
14 PIN HSOP TO DIP



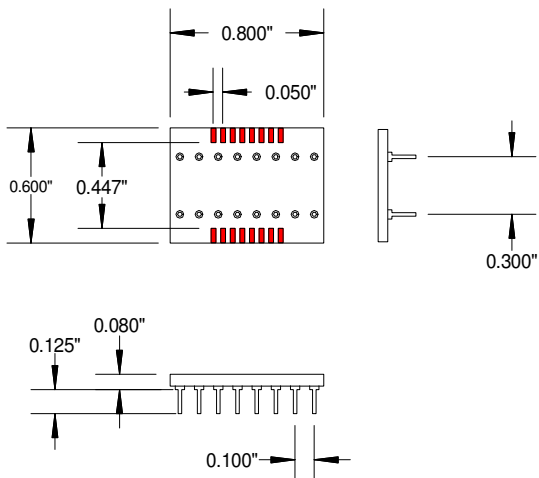
AK16D300-NSO
16 PIN SOIC TO DIP



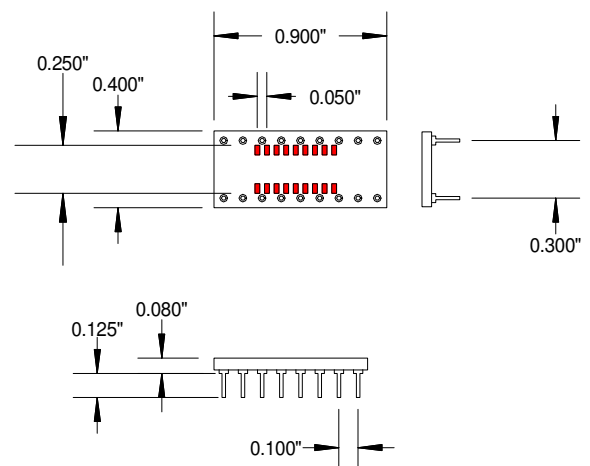
AK16D300-WSO
16 PIN WIDE SOIC TO DIP



AK16D300-HSOP
16 PIN HSOP TO DIP

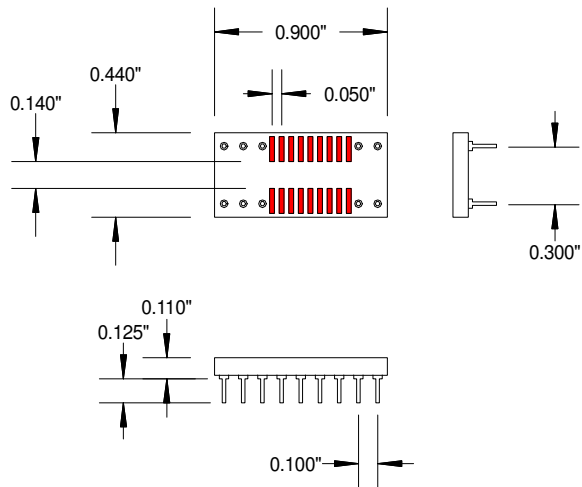


AK18D300-NSO
18 PIN NARROW SOIC TO DIP



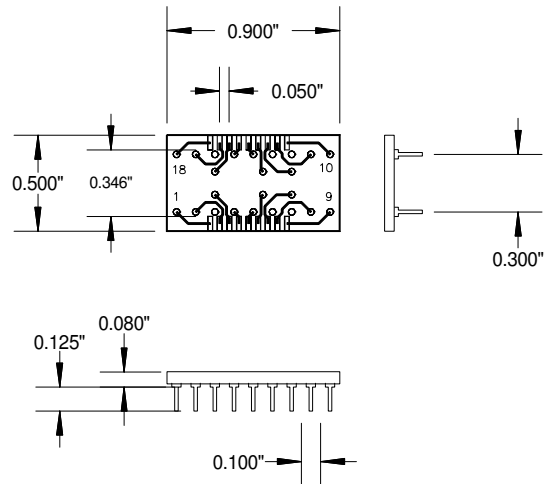
AK18D300-NWSO

18 PIN WIDE OR NARROW SOIC TO DIP



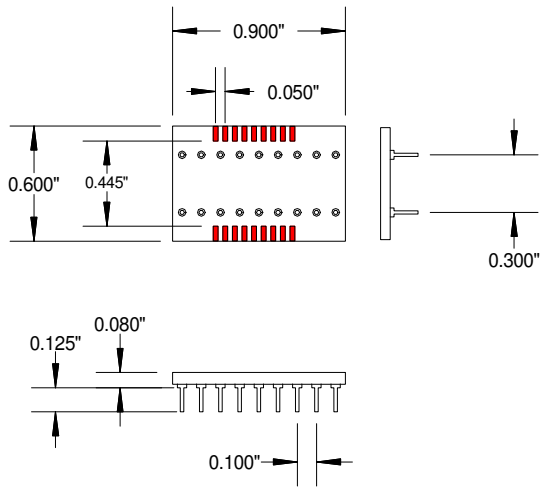
AK18D300-WSO

18 PIN WIDE SOIC TO DIP

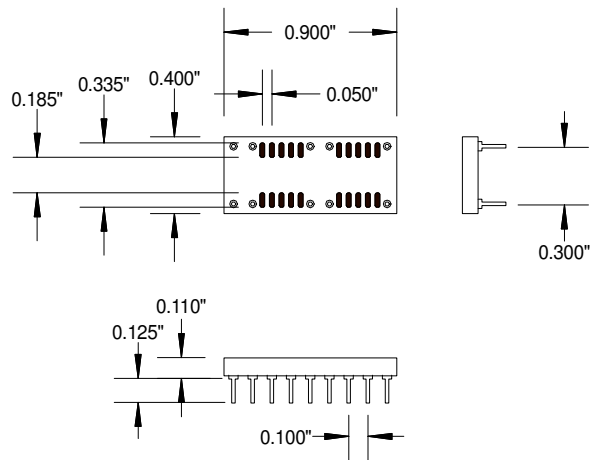


AK18D300-HSOP

18 PIN HSOP TO DIP

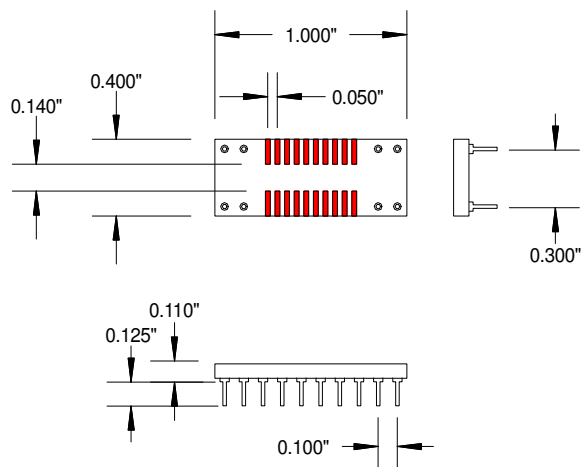


AK18D300-SOJ-64KX4 (for 64K X 4 DRAMs)



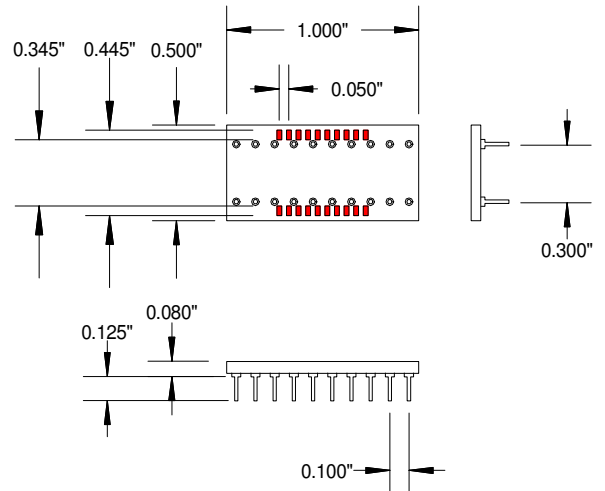
AK20D300-NWSO

20 PIN NARROW OR WIDE SOIC TO DIP

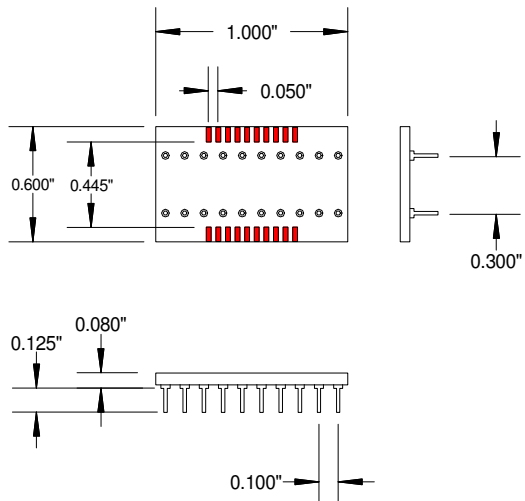


AK20D300-WSO

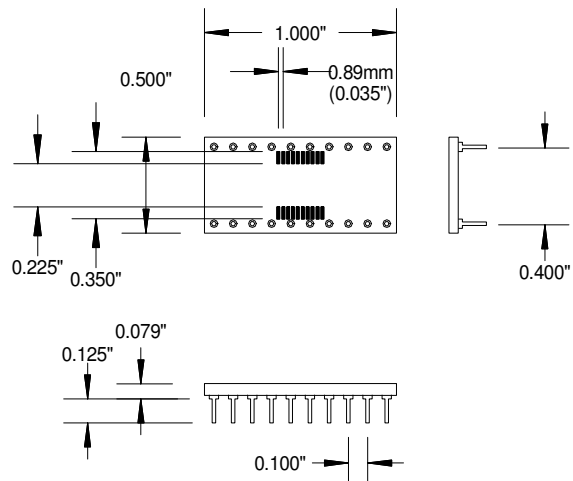
20 PIN WIDE SOIC TO DIP



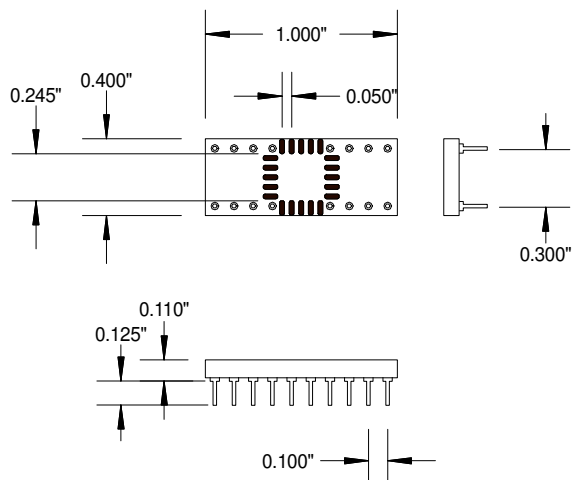
AK20D300-HSOP
20 PIN HSOP TO DIP



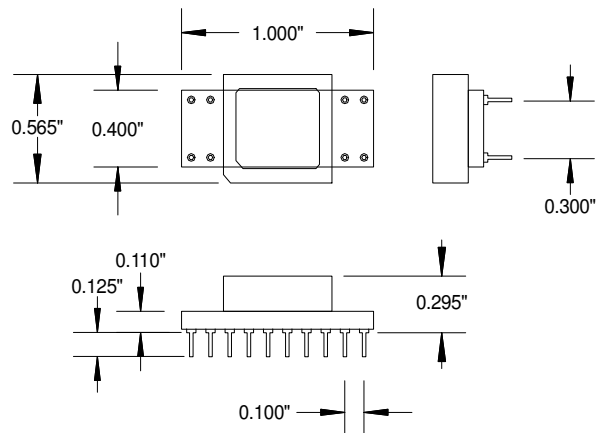
AK20D400-SOIC .89mm
20 PIN .89mm PITCH SOIC TO DIP



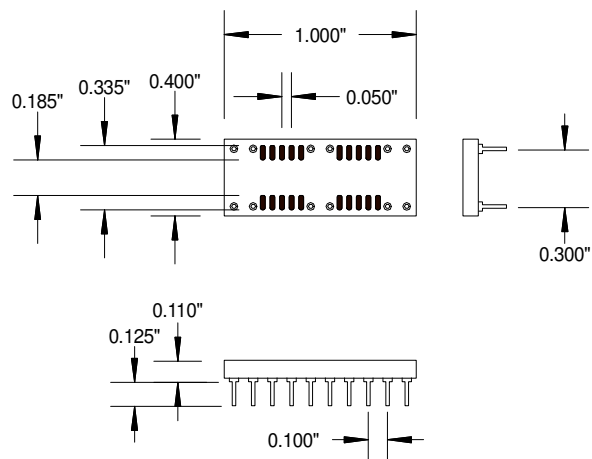
AK20D300-PLCC
20 PIN PLCC TO DIP



AK20DS300-PLCC
(with PLCC Socket included)
20 PIN PLCC SOCKET TO DIP

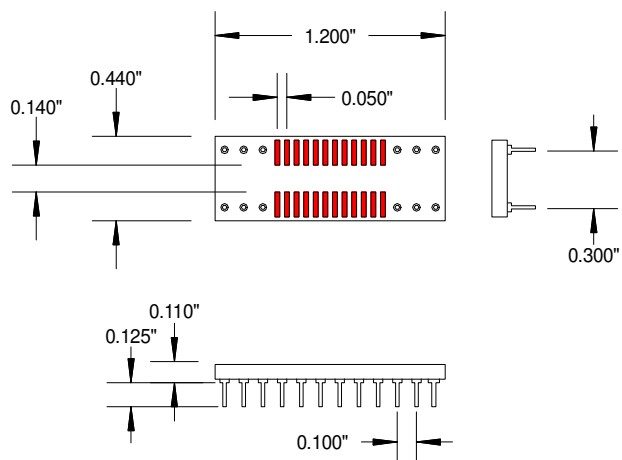


AK20D300-SOJ
(for 1Meg & 4 Meg DRAMs)



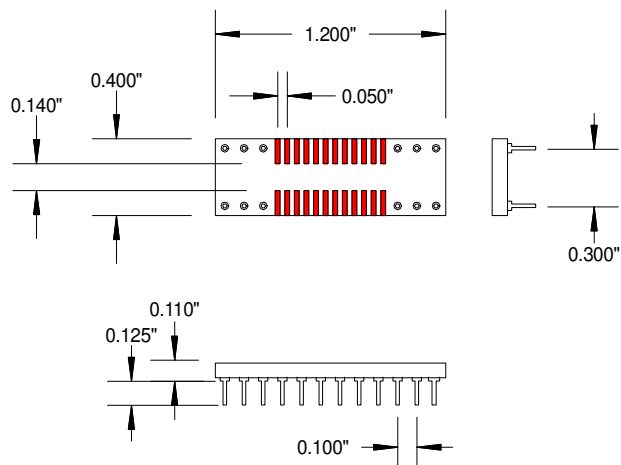
AK24D300-SOIC

24 PIN SOIC TO DIP



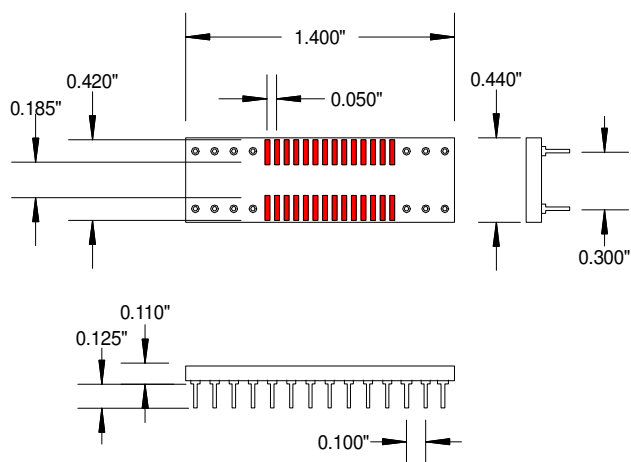
AK24D300-SOJ

24 PIN SOJ TO DIP



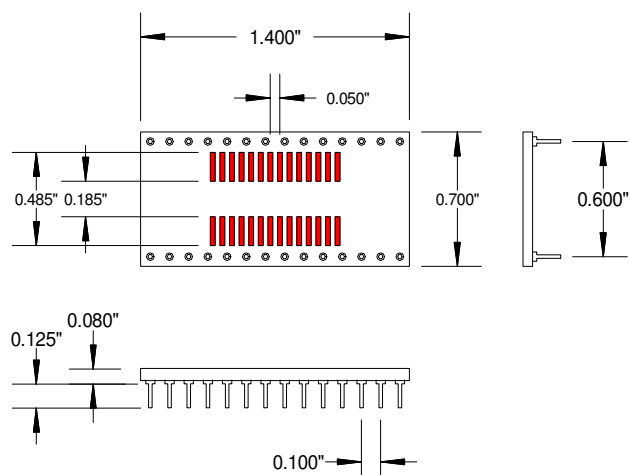
AK28D300-SOIC

28 PIN SOIC TO DIP



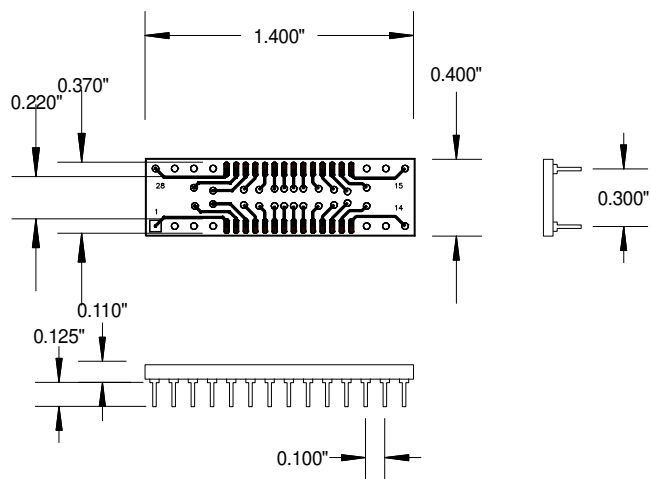
AK28D600-SOIC/SOJ

28 PIN SOIC OR SOJ TO DIP



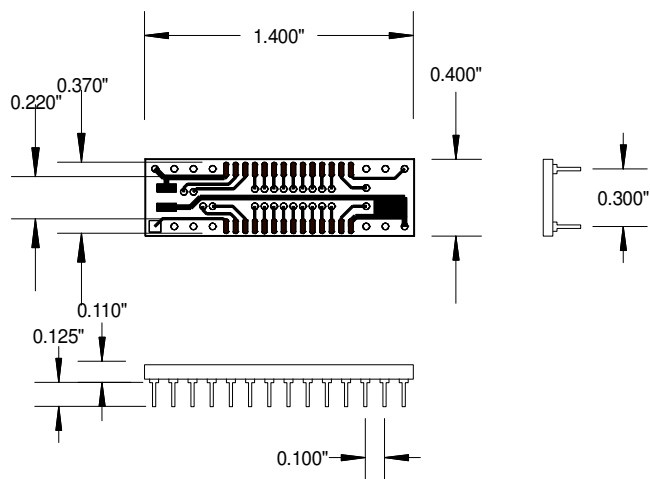
AK28D300-SOJ

28 PIN SOJ TO .300" DIP



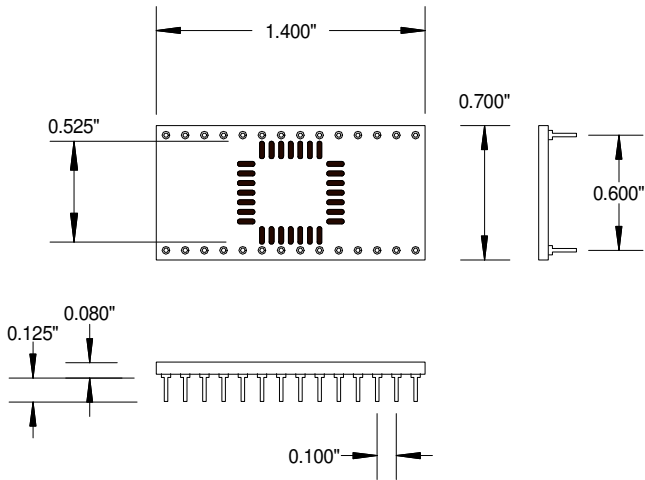
AK28D300-SRAM

28 PIN SRAM-SOJ TO .300" DIP



AK28DW600-PLCC

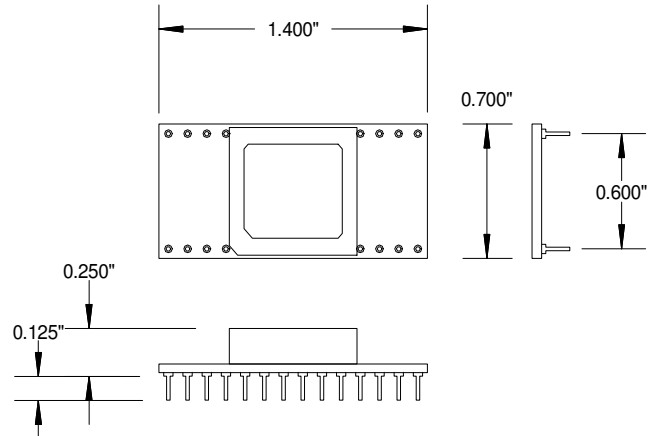
28 PIN PLCC TO DIP (MACHINED PINS)



AK28DS600-PLCC

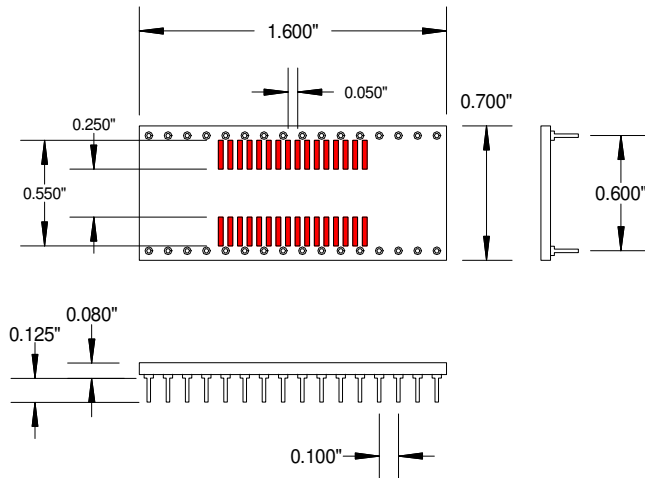
(with PLCC Socket included)

28 PIN SOJ SOCKET TO DIP



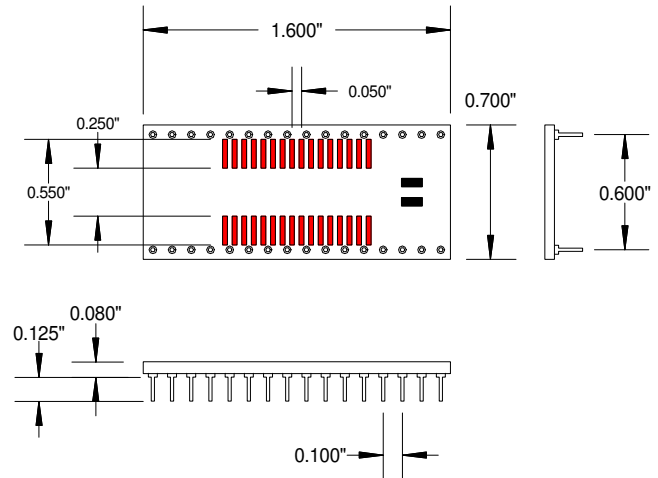
AK32D600-SOIC-G

32 PIN SOIC TO DIP



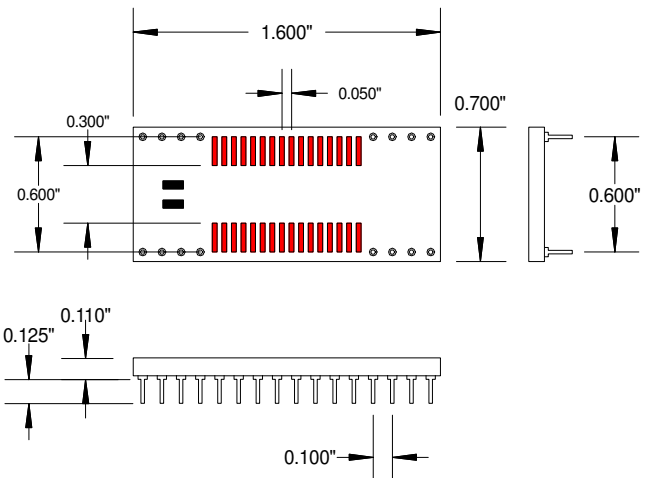
AK32D600-SOIC

32 PIN SOIC OR TSOP2 TO DIP
FOR 512K x 8 SRAM



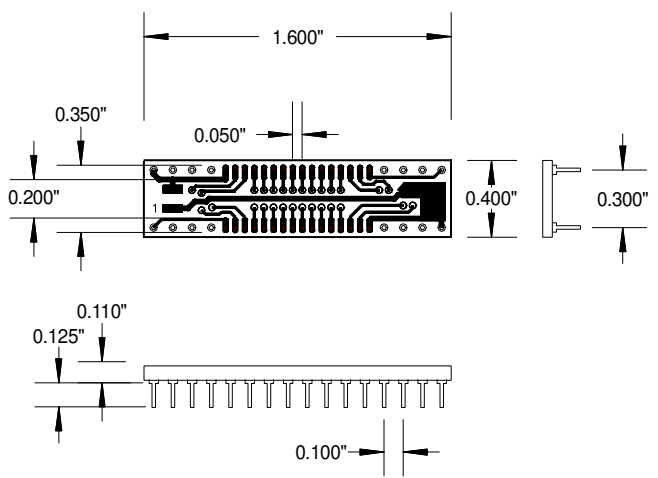
AK68128-512-D32

32 PIN SOIC TO DIP
FOR 128K x 8 SRAM



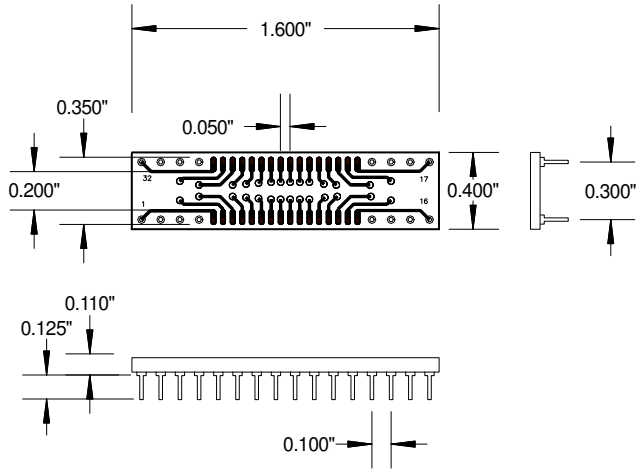
AK32D300-SRAM

32 PIN SRAM-SOJ TO .300" DIP



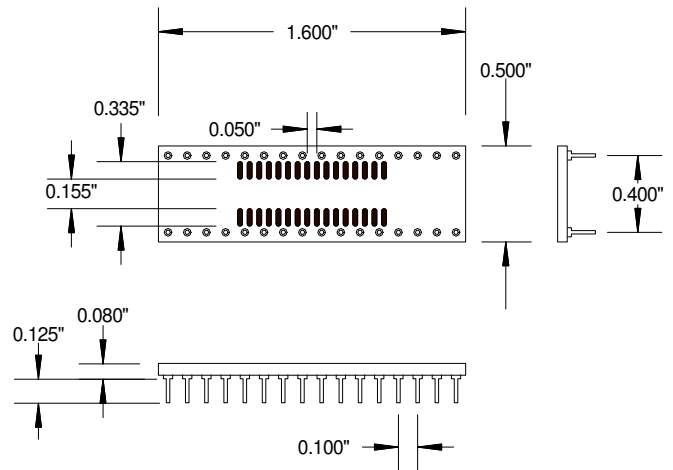
AK32D300-SOJ

32 PIN SOJ TO .300" DIP



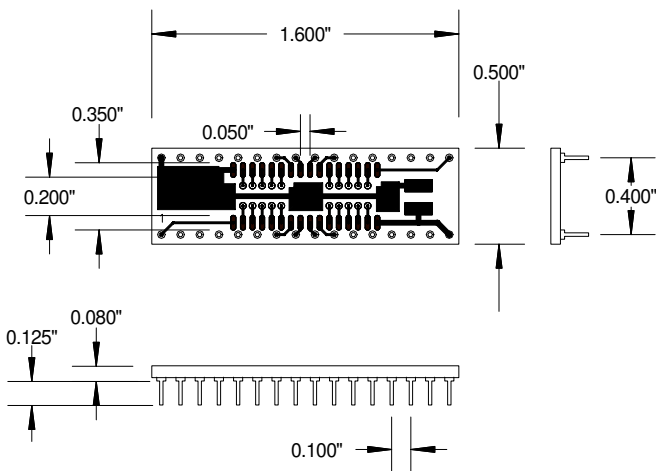
AK32D400-SOJ

32 PIN SOJ TO .400" DIP



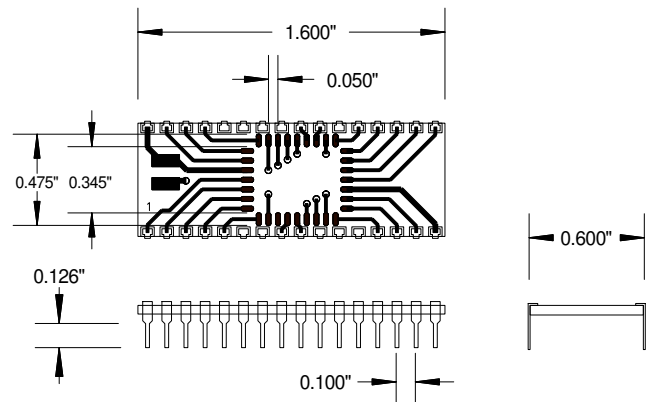
AK32D400-SRAM

32 PIN SRAM-SOJ TO 0.400" DIP



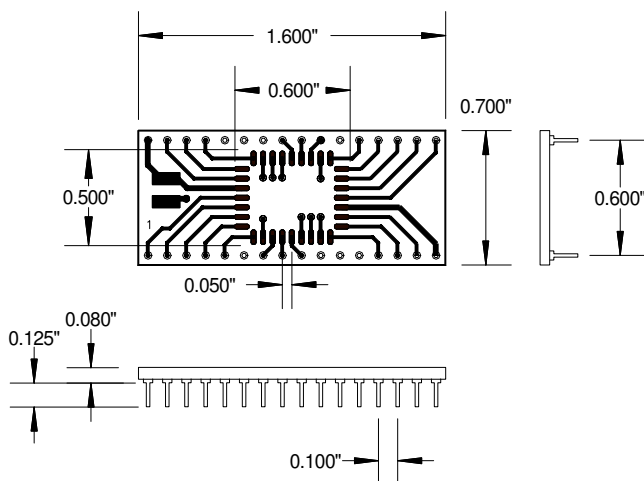
AK32D600-PLCC

32 PIN PLCC TO DIP (FLAT PINS)



AK32DW600-PLCC

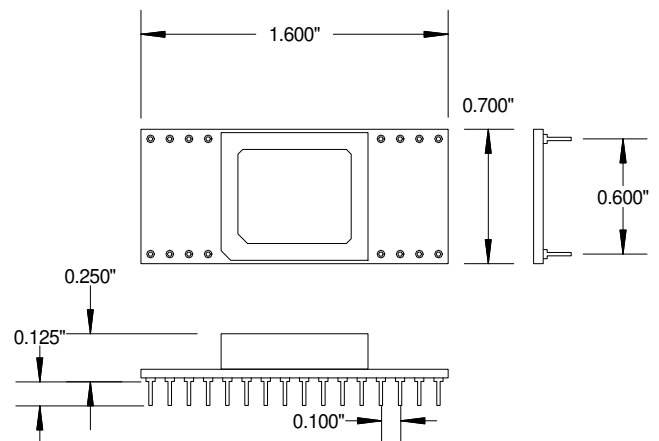
32 PIN PLCC TO DIP (MACHINED PINS)



AK32DS600-PLCC

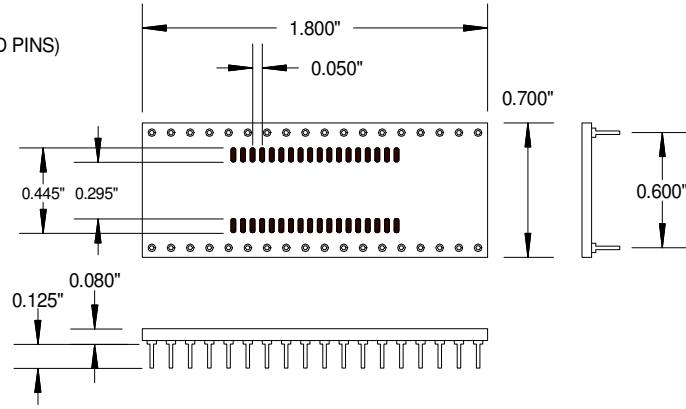
(with PLCC Socket included)

32 PIN PLCC SOCKET TO DIP



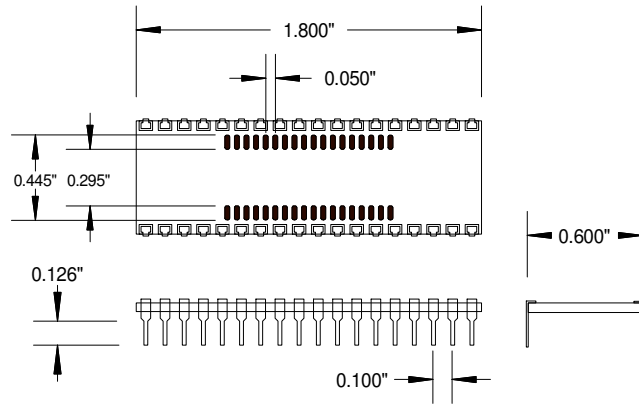
AK36D600M-SOJ4

36 PIN 400MIL SOJ TO DIP (MACHINED PINS)



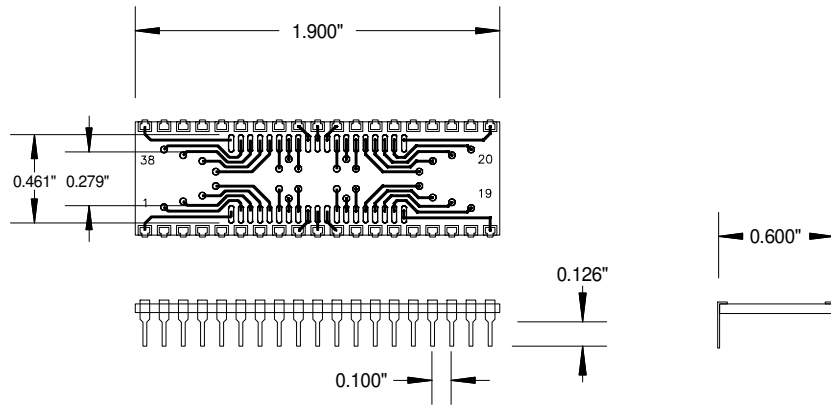
AK36D600F-SOJ4

400 MIL SOJ
TO 36 PIN DIP



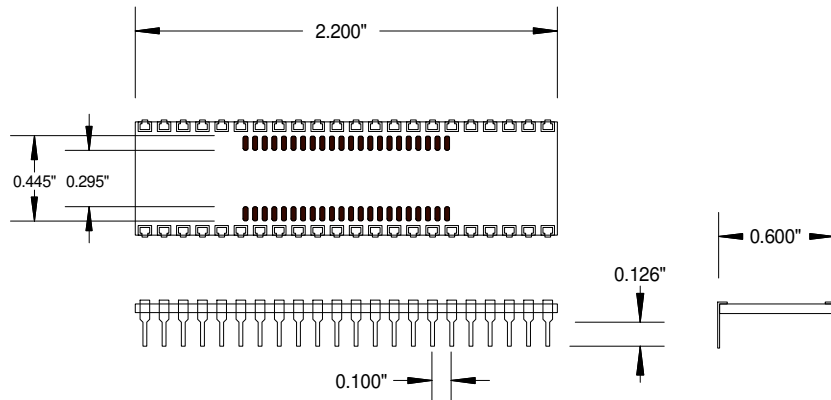
AK38D600-SOJ4

400 MIL SOJ
TO 38 PIN DIP



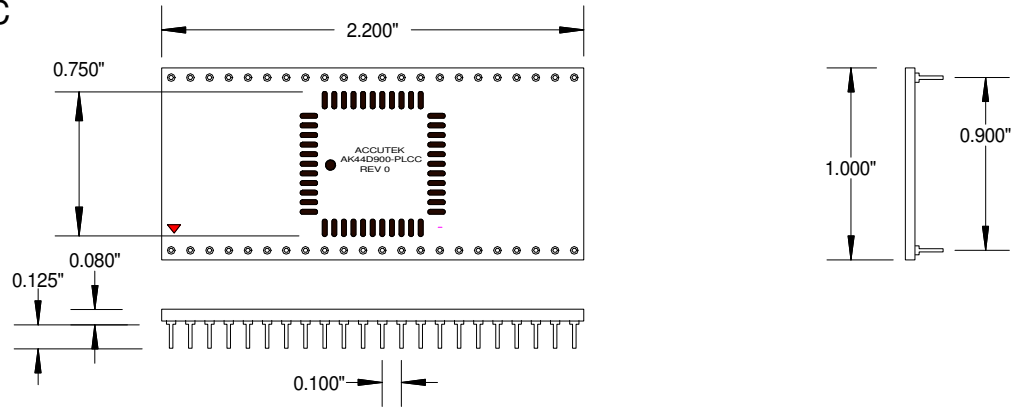
AK44D600-SOJ

400 MIL SOJ
TO 44 PIN DIP



AK44D900-PLCC

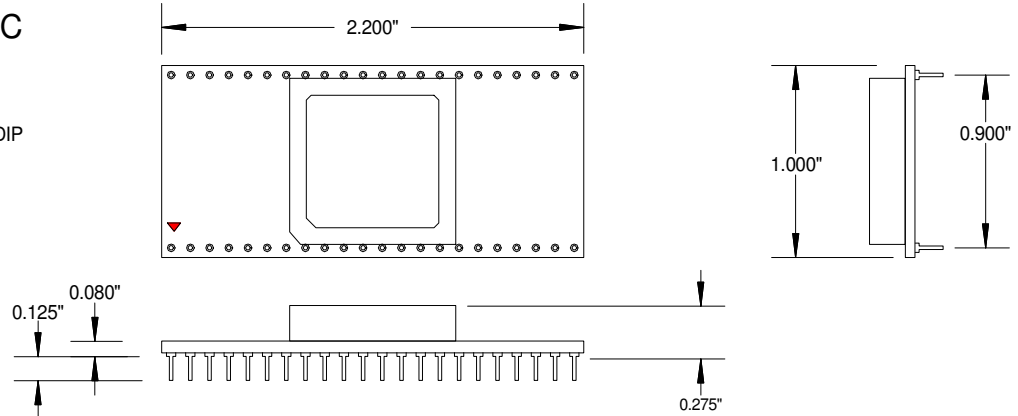
44 PIN PLCC TO DIP



AK44DS900-PLCC

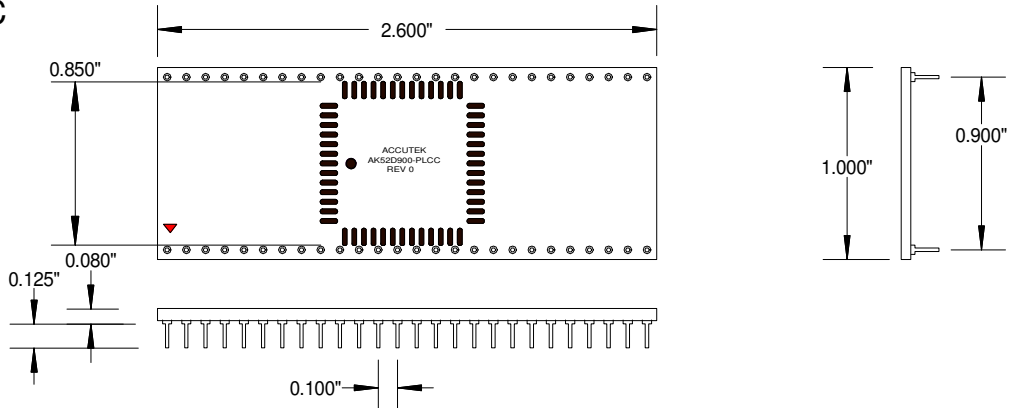
(with PLCC Socket included)

44 PIN PLCC SOCKET TO DIP



AK52D900-PLCC

52 PIN PLCC TO DIP



AK52DS900-PLCC

(with PLCC Socket included)

52 PIN PLCC SOCKET TO DIP

