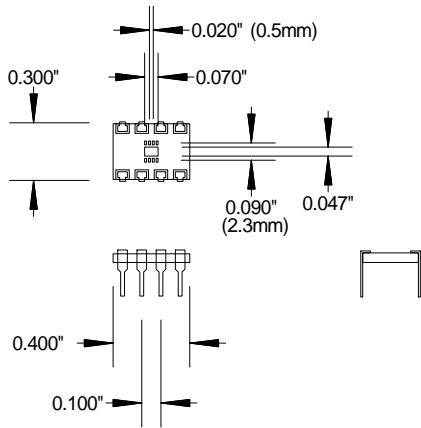


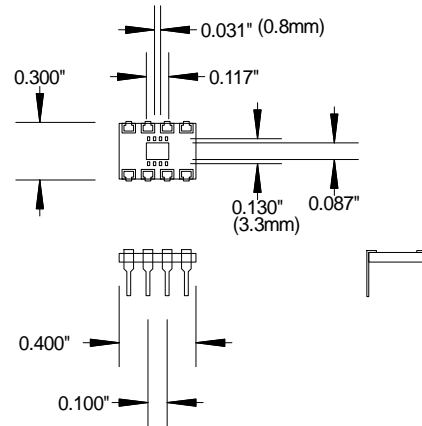
AK08D-LLP3X3

LEADLESS LEADFRAME PACKAGE (3 X 3)
TO 8 PIN DIP



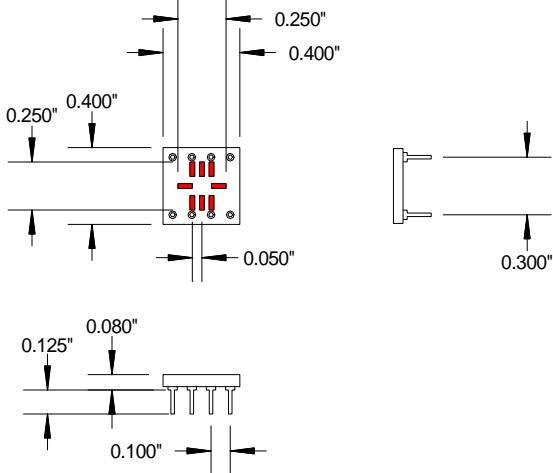
AK08D-LLP4X4

LEADLESS LEADFRAME PACKAGE (4 X 4)
TO 8 PIN DIP



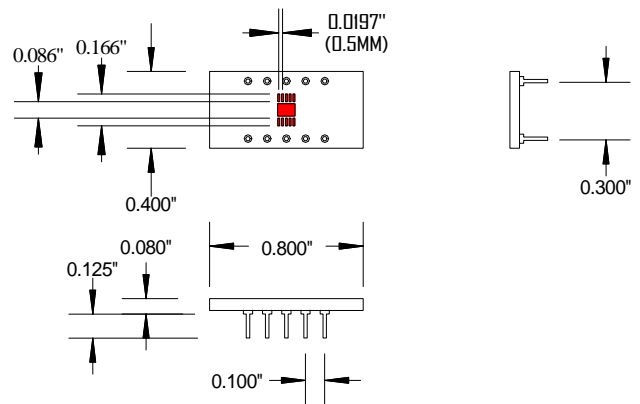
AK08D300-CLCC

8 PIN CLCC TO DIP
(CLCC=ceramic leadless chip carrier)



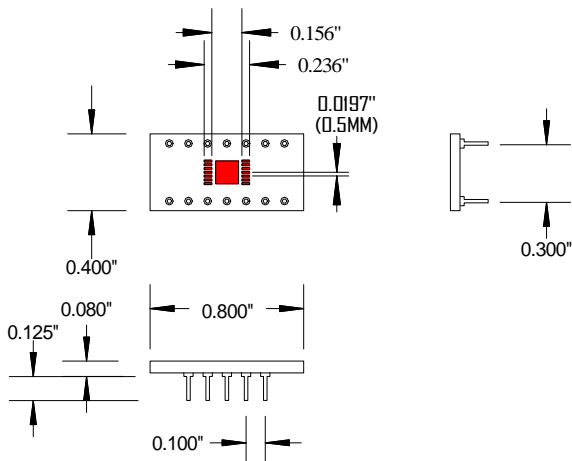
AK10D-LLP3X3

LEADLESS LEADFRAME PACKAGE (3X3)
TO 10 PIN DIP



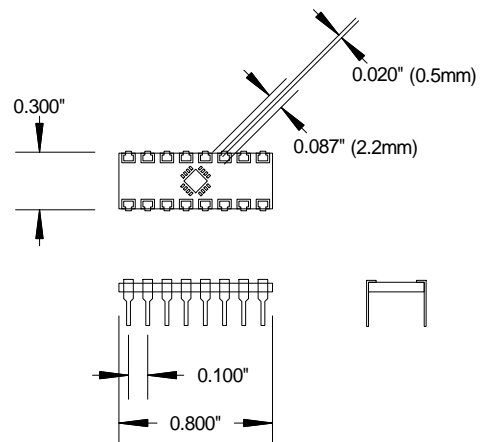
AK14D-DFN5X5

LLP-DFN PACKAGE (5X5)
TO 14 PIN DIP



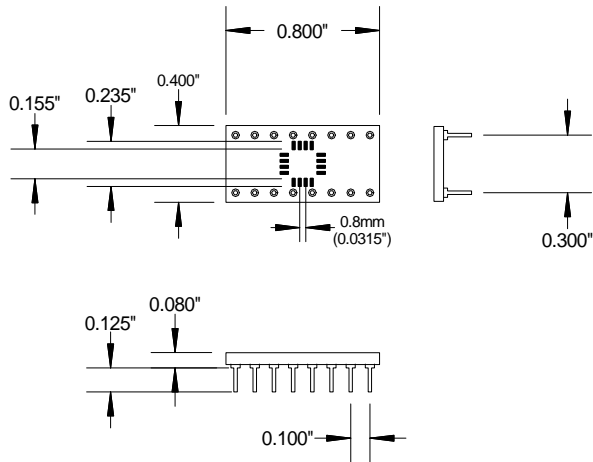
AK16D-LLP4X4

LEADLESS LEADFRAME PACKAGE (4 X 4)
TO 16 PIN DIP



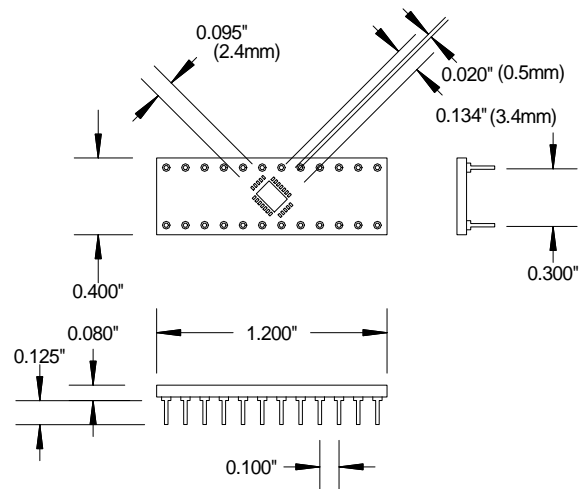
AK16D300-QFN5X5

16 PIN QUAD FLAT NO-LEAD PACKAGE 0.8mm PITCH TO DIP



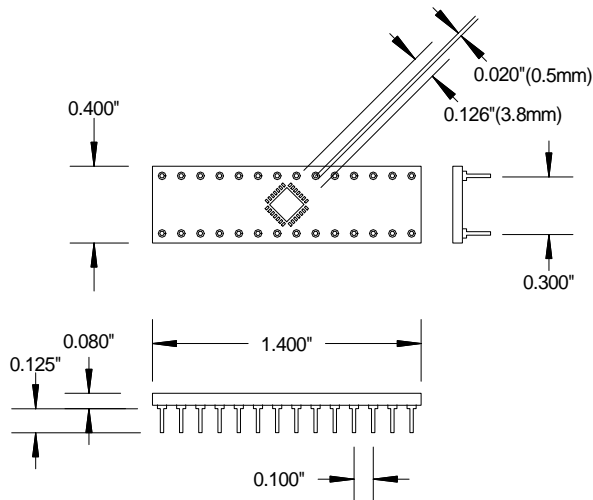
AK24D-LLP

LEADLESS LEADFRAME PACKAGE (5 X 4)
TO 24 PIN DIP



AK28D-LLP

LEADLESS LEADFRAME PACKAGE (5 X 5)
TO 28 PIN DIP



AK44D-LLP

LEADLESS LEADFRAME PACKAGE
(7 X 7mm) (10pin x 12pin)
TO 44 PIN DIP

