

**Special Application Dip Adapters  
for Flash, EPROMs, Static RAMs,  
DRAMs and Pals with Pin Correction**



### DESCRIPTION

The Accutek family of DIP Adapter Modules is designed to convert integrated circuits in SOJ, PLCC, TSOP and SOIC package to a top mounted DIP module. Accutek DIP modules are a pin compatible drop in replacement for end-of-life DIP devices. Typical devices are Flash, EPROMs, Static RAMs, DRAMs and Pals.

These DIP Adapters were developed for users with motherboard designs that require DIP's, now obsolete by manufacturers. These adapter modules save costly motherboard redesigns.

Accutek DIP Adapter Modules are fully assembled and tested and include a decoupling capacitor. They can be manufactured turnkey or from customer supplied surface mount chips.

Custom multi-chip and double sided configurations are also available for special functions.

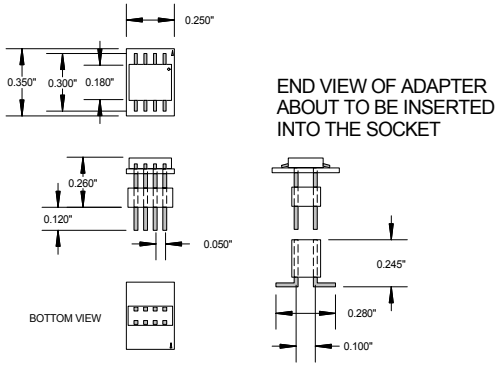
### Features

- Saves costly redesign of current motherboards
- Fully tested with lifetime limited warranty
- Includes an on board decoupling capacitor
- IC assembly and testing available
- EPROM and Flash programming available
- Custom lead lengths available
- Custom multi-chip and double-sided modules available

Accutek reserves the right to make changes in specifications at any time and without notice. Accutek does not assume any responsibility for the use of any circuitry described; no circuit patent licenses are implied. Preliminary data sheets contain minimum and maxi-

### AK08SOIC-ST

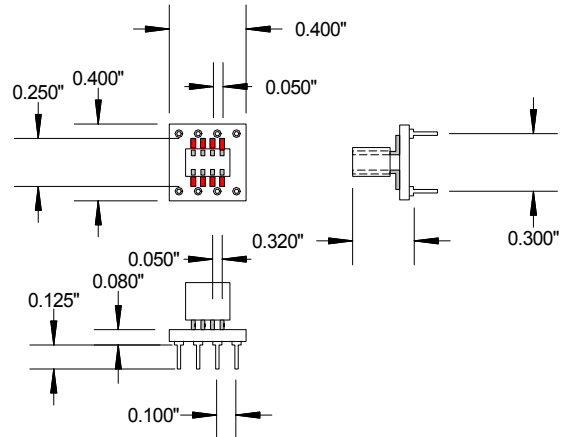
8 PIN  
EEPROM SOIC ADAPTER SOCKET  
FOR SOLDERING TO SURFACE MOUNT  
SITE ON A PRINTED CIRCUIT BOARD



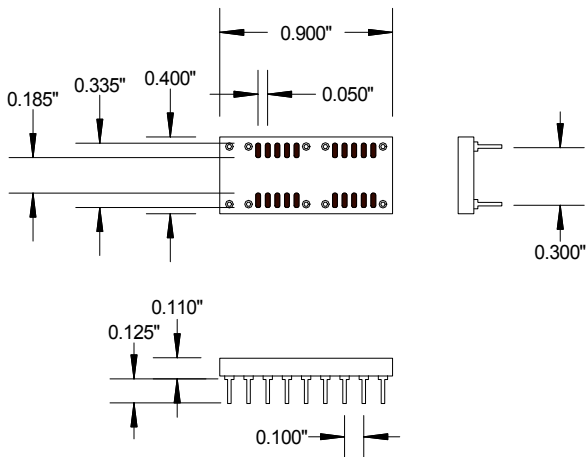
### AK08DS300-SOSPA

8 PIN PROGRAMMING ADAPTER  
FOR EEPROM SOIC ADAPTER  
SOCKET AK08SOIC-ST

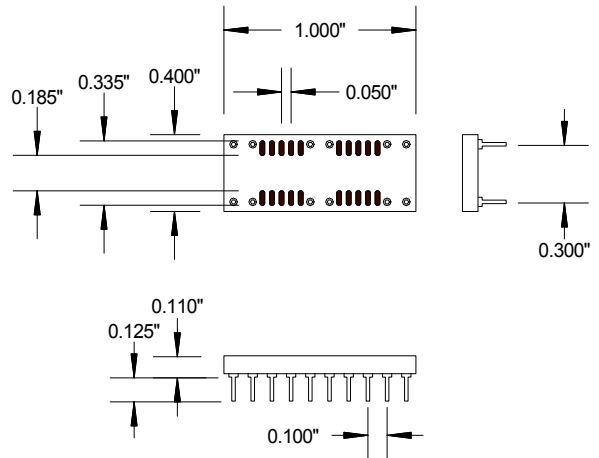
THIS ALLOWS PROGRAMMING  
USING PROGRAMMERS  
STANDARD DIP SOCKET



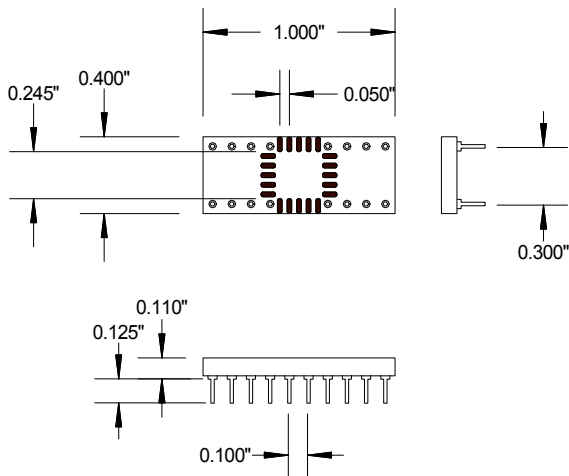
### AK18D300-SOJ-64KX4 (for 64K X 4 DRAMs)



### AK20D300-SOJ (for 1Meg & 4 Meg DRAMs)

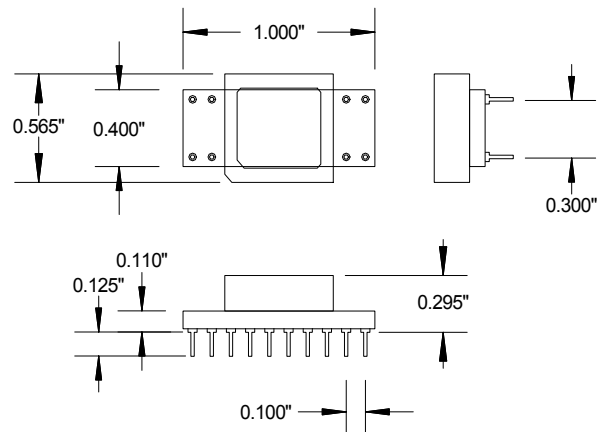


### AK20D300-PLCC (can be used for programable devices)

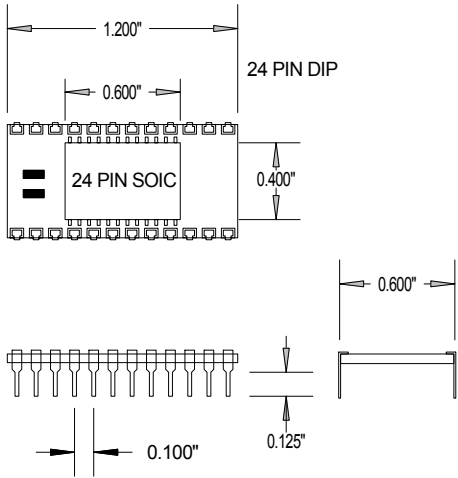


### AK20DS300-PLCC (with PLCC Socket included)

20 PIN PLCC SOCKET TO DIP



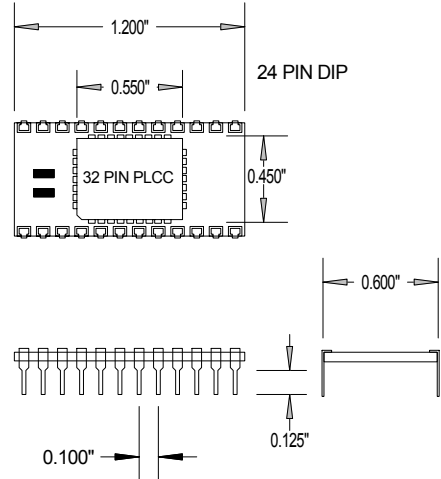
### AK24D600-SOIC



MODULE PIN #	SOIC CHIP PIN #
1	1
2	2
3	3
4	4
5	5
6	6
7	7
8	8
9	9
10	10
11	11
12-Vss	12-Vss
13	13
14	14
15	15
16	16
17	17
18	18
19	19
20	20
21	21
22	22
23	23
24-Vcc	24-Vcc

DECOUPLING CAPACITOR CONNECTED FROM Vcc TO Vss

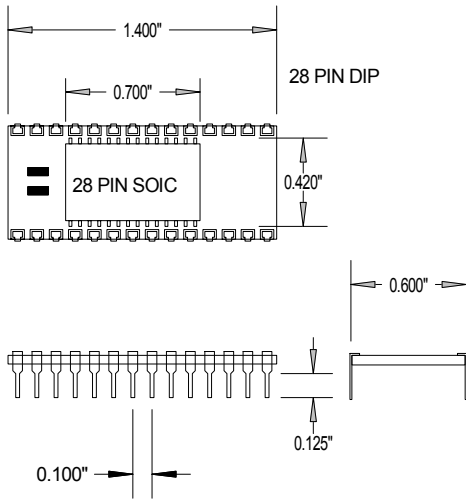
### AK24D600-32PLCC



MODULE PIN #	PLCC CHIP PIN #
1	4
2	5
3	6
4	7
5	8
6	9
7	10
8	11
9	13
10	14
11	15
12-Vss	16-Vss
13	18
14	19
15	20
16	21
17	22
18	23
19	24
20	25
21	31
22	28
23	29
24-Vcc	32-Vcc

DECOUPLING CAPACITOR CONNECTED FROM Vcc TO Vss

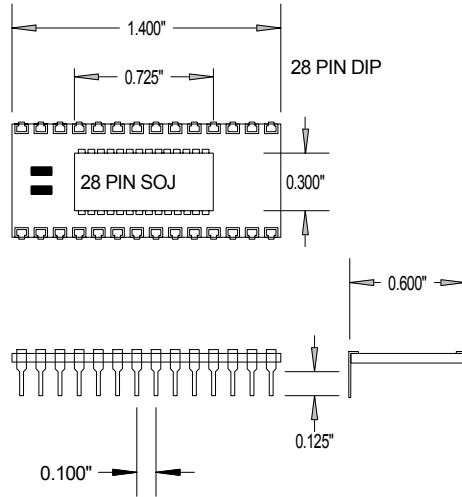
### AK28D600-SOIC



MODULE PIN #	SOIC CHIP PIN #
1	1
2	2
3	3
4	4
5	5
6	6
7	7
8	8
9	9
10	10
11	11
12	12
13	13
14-Vss	14-Vss
15	15
16	16
17	17
18	18
19	19
20	20
21	21
22	22
23	23
24	24
25	25
26	26
27	27
28-Vcc	28-Vcc

DECOUPLING CAPACITOR CONNECTED FROM Vcc TO Vss

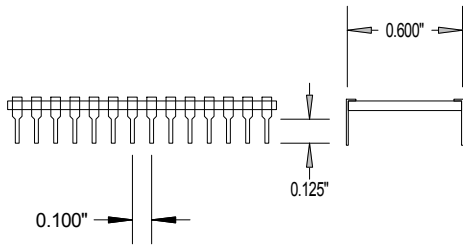
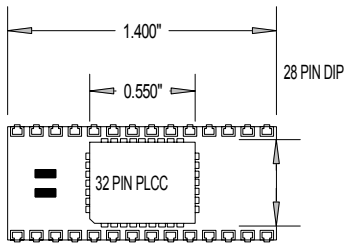
### AK28D600-SOJ



MODULE PIN #	SOJ CHIP PIN #
1	1
2	2
3	3
4	4
5	5
6	6
7	7
8	8
9	9
10	10
11	11
12	12
13	13
14-Vss	14-Vss
15	15
16	16
17	17
18	18
19	19
20	20
21	21
22	22
23	23
24	24
25	25
26	26
27	27
28-Vcc	28-Vcc

DECOUPLING CAPACITOR CONNECTED FROM Vcc TO Vss

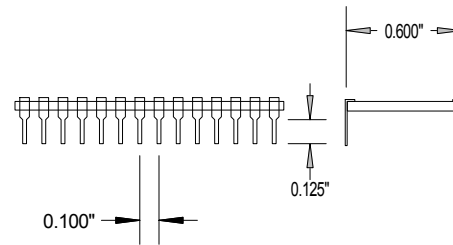
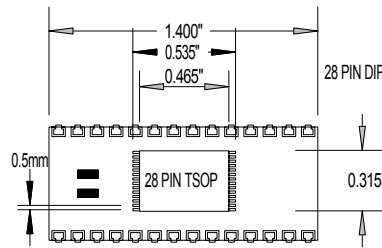
### AK28D600-32PLCC



MODULE PIN #	SOIC CHIP PIN #
1	2
2	3
3	4
4	5
5	6
6	7
7	8
8	9
9	10
10	11
11	13
12	14
13	15
14-Vss	16-Vss
15	18
16	19
17	20
18	21
19	22
20	23
21	24
22	25
23	27
24	28
25	29
26	30
27	31
28-Vcc	32-Vcc

DECOUPLING CAPACITOR CONNECTED FROM Vcc TO Vss

### AK28D600-TSOP

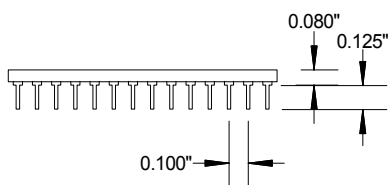
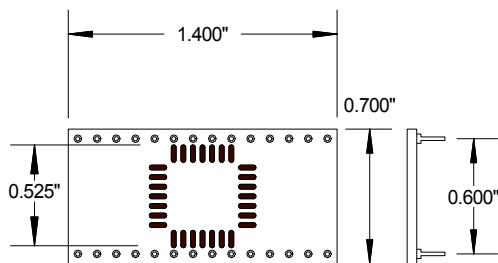


MODULE PIN #	SOIC CHIP PIN #
1	8
2	9
3	10
4	11
5	12
6	13
7	14
8	15
9	16
10	17
11	18
12	19
13	20
14-Vss	21-Vss
15	22
16	23
17	24
18	25
19	26
20	27
21	28
22	1
23	2
24	3
25	4
26	5
27	6
28-Vcc	7-Vcc

DECOUPLING CAPACITOR CONNECTED FROM Vcc TO Vss

### AK28DW600-PLCC

28 PIN PLCC TO DIP (MACHINED PINS)

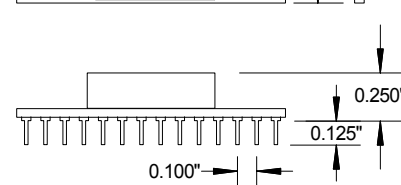
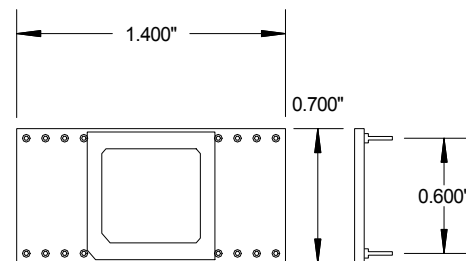


MODULE PIN #	SOIC CHIP PIN #
1	1
2	2
3	3
4	4
5	5
6	6
7	7
8	8
9	9
10	10
11	11
12	12
13	13
14-Vss	14-Vss
15	15
16	16
17	17
18	18
19	19
20	20
21	21
22	22
23	23
24	24
25	25
26	26
27	27
28-Vcc	28-Vcc

### AK28DS600-PLCC

(with PLCC Socket included)

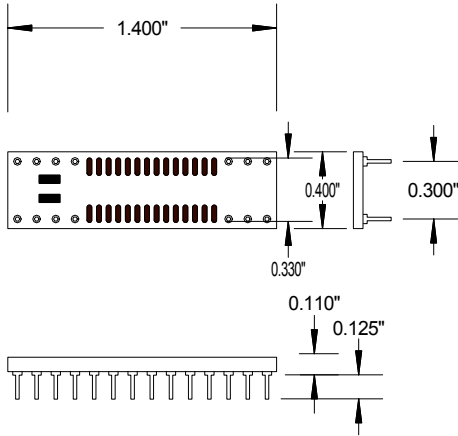
28 PIN PLCC SOCKET TO DIP



MODULE PIN #	SOJ CHIP PIN #
1	1
2	2
3	3
4	4
5	5
6	6
7	7
8	8
9	9
10	10
11	11
12	12
13	13
14-Vss	14-Vss
15	15
16	16
17	17
18	18
19	19
20	20
21	21
22	22
23	23
24	24
25	25
26	26
27	27
28-Vcc	28-Vcc

**AK28D300-SRAM (for 32K x 8,  
64K x 4 & 256K x 4 Static RAM  
0.300" SOJ)**

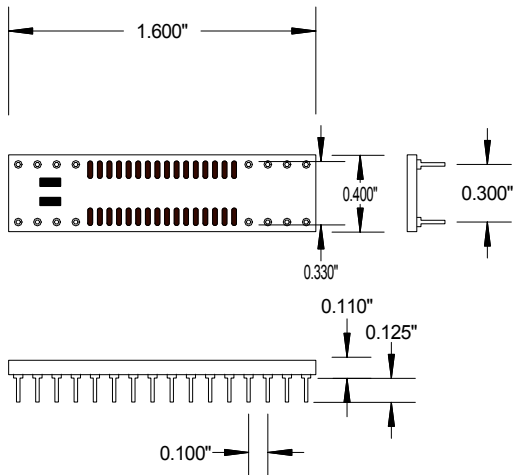
MODULE PIN#	SOJ CHIP PIN#
1	1
2	2
3	3
4	4
5	5
6	6
7	7
8	8
9	9
10	10
11	11
12	12
13	13
14-Vss	14-Vss
15	15
16	16
17	17
18	18
19	19
20	20
21	21
22	22
23	23
24	24
25	25
26	26
27	27
28-Vcc	28-Vcc



DECOUPLING CAPACITOR CONNECTED FROM Vcc TO Vss

**AK32D300-SRAM  
(for 128K x 8 Static RAM  
0.300" SOJ)**

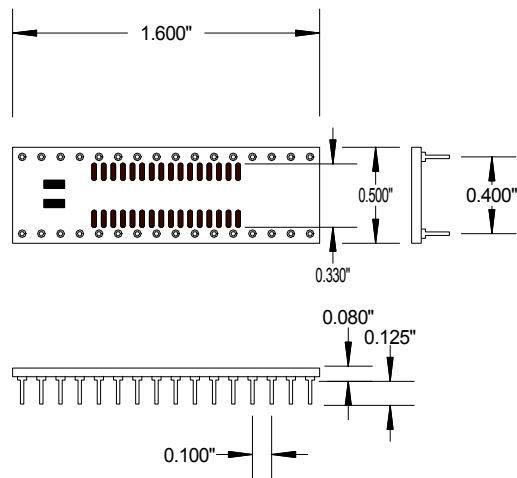
MODULE PIN#	SOJ CHIP PIN#
1	1
2	2
3	3
4	4
5	5
6	6
7	7
8	8
9	9
10	10
11	11
12	12
13	13
14	14
15	15
16-Vss	16-Vss
17	17
18	18
19	19
20	20
21	21
22	22
23	23
24	24
25	25
26	26
27	27
28	28
29	29
30	30
31	31
32-Vcc	32-Vcc



DECOUPLING CAPACITOR CONNECTED FROM Vcc TO Vss

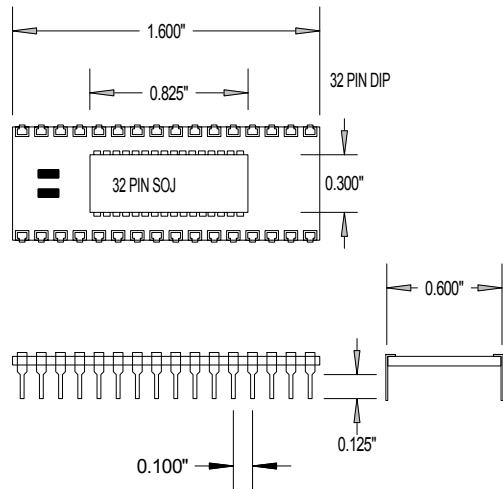
**AK32D400-SRAM  
(for 128K x 8 Static RAM  
0.300" SOJ)**

MODULE PIN#	SOJ CHIP PIN#
1	1
2	2
3	3
4	4
5	5
6	6
7	7
8	8
9	9
10	10
11	11
12	12
13	13
14	14
15	15
16-Vss	16-Vss
17	17
18	18
19	19
20	20
21	21
22	22
23	23
24	24
25	25
26	26
27	27
28	28
29	29
30	30
31	31
32-Vcc	32-Vcc



DECOUPLING CAPACITOR CONNECTED FROM Vcc TO Vss

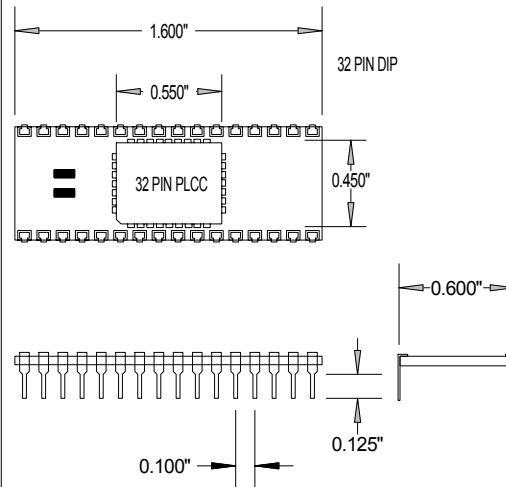
### AK32D600-SOJ



MODULE PIN #	SOJ CHIP PIN #
1	1
2	2
3	3
4	4
5	5
6	6
7	7
8	8
9	9
10	10
11	11
12	12
13	13
14	14
15	15
16-Vss	16-Vss
17	17
18	18
19	19
20	20
21	21
22	22
23	23
24	24
25	25
26	26
27	27
28	28
29	29
30	30
31	31
32-Vcc	32-Vcc

DECOUPLING CAPACITOR CONNECTED FROM Vcc TO Vss

### AK32D600-PLCC

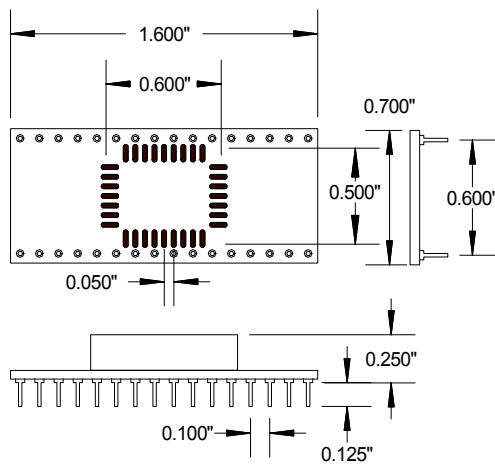


MODULE PIN #	PLCC CHIP PIN #
1	1
2	2
3	3
4	4
5	5
6	6
7	7
8	8
9	9
10	10
11	11
12	12
13	13
14	14
15	15
16-Vss	16-Vss
17	17
18	18
19	19
20	20
21	21
22	22
23	23
24	24
25	25
26	26
27	27
28	28
29	29
30	30
31	31
32-Vcc	32-Vcc

DECOUPLING CAPACITOR CONNECTED FROM Vcc TO Vss

### AK32DW600-PLCC

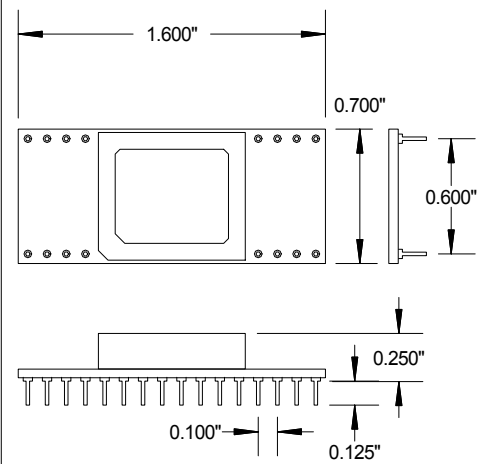
32 PIN PLCC TO DIP (MACHINED PINS)



MODULE PIN #	PLCC CHIP PIN #
1	1
2	2
3	3
4	4
5	5
6	6
7	7
8	8
9	9
10	10
11	11
12	12
13	13
14	14
15	15
16-Vss	16-Vss
17	17
18	18
19	19
20	20
21	21
22	22
23	23
24	24
25	25
26	26
27	27
28	28
29	29
30	30
31	31
32-Vcc	32-Vcc

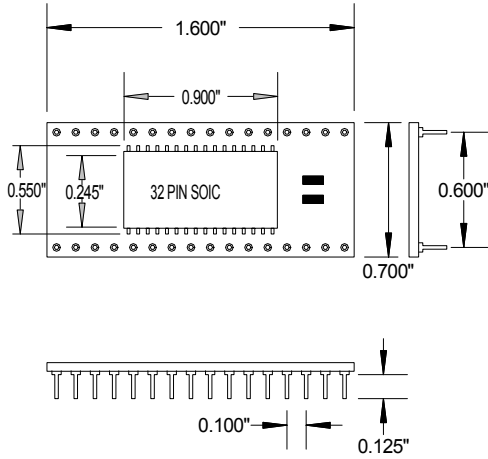
### AK32DS600-PLCC

(with PLCC Socket included)  
32 PIN SOJ SOCKET TO DIP



MODULE PIN #	PLCC CHIP PIN #
1	1
2	2
3	3
4	4
5	5
6	6
7	7
8	8
9	9
10	10
11	11
12	12
13	13
14	14
15	15
16-Vss	16-Vss
17	17
18	18
19	19
20	20
21	21
22	22
23	23
24	24
25	25
26	26
27	27
28	28
29	29
30	30
31	31
32-Vcc	32-Vcc

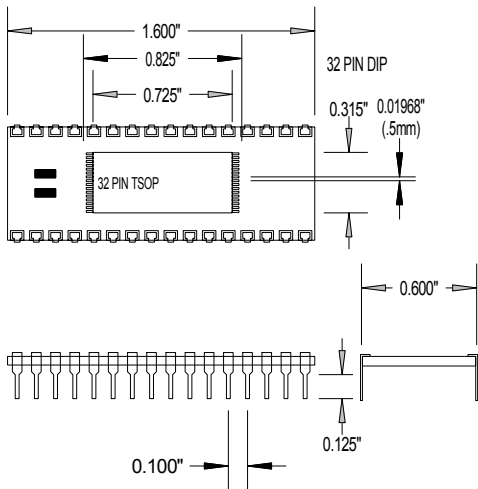
**AK32D600-SOIC**  
32 PIN SOIC OR TSOP2 TO DIP  
FOR 512K x 8 SRAM



MODULE PIN #	SOIC CHIP PIN #
1	1
2	2
3	3
4	4
5	5
6	6
7	7
8	8
9	9
10	10
11	11
12	12
13	13
14	14
15	15
16-Vss	16-Vss
17	17
18	18
19	19
20	20
21	21
22	22
23	23
24	24
25	25
26	26
27	27
28	28
29	29
30	30
31	31
32-Vcc	32-Vcc

DECOUPLING CAPACITOR CONNECTED FROM Vcc TO Vss

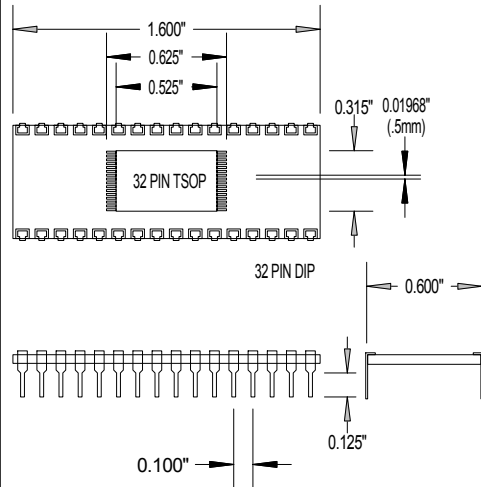
**AK32D600-TSOP**  
FOR 128K x 8 SRAM AND  
FLASH CHIPS (TYPE 1 TSOP)



MODULE PIN #	TSOP CHIP PIN #
1	9
2	10
3	11
4	12
5	13
6	14
7	15
8	16
9	17
10	18
11	19
12	20
13	21
14	22
15	23
16-Vss	24-Vss
17	25
18	26
19	27
20	28
21	29
22	30
23	31
24	32
25	1
26	2
27	3
28	4
29	5
30	6
31	7
32-Vcc	8-Vcc

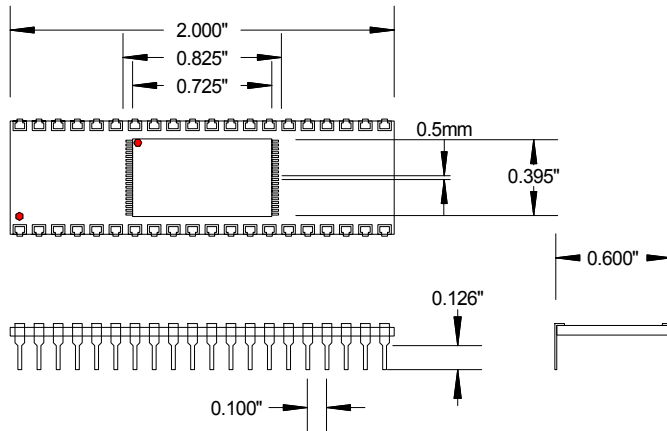
DECOUPLING CAPACITOR CONNECTED FROM Vcc TO Vss

**AK32D600-NTSOP**  
32 PIN TYPE 1 NARROW TSOP TO DIP



MODULE PIN #	TSOP CHIP PIN #
1	9
2	10
3	11
4	12
5	13
6	14
7	15
8	16
9	17
10	18
11	19
12	20
13	21
14	22
15	23
16-Vss	24-Vss
17	25
18	26
19	27
20	28
21	29
22	30
23	31
24	32
25	1
26	2
27	3
28	4
29	5
30	6
31	7
32-Vcc	8-Vcc

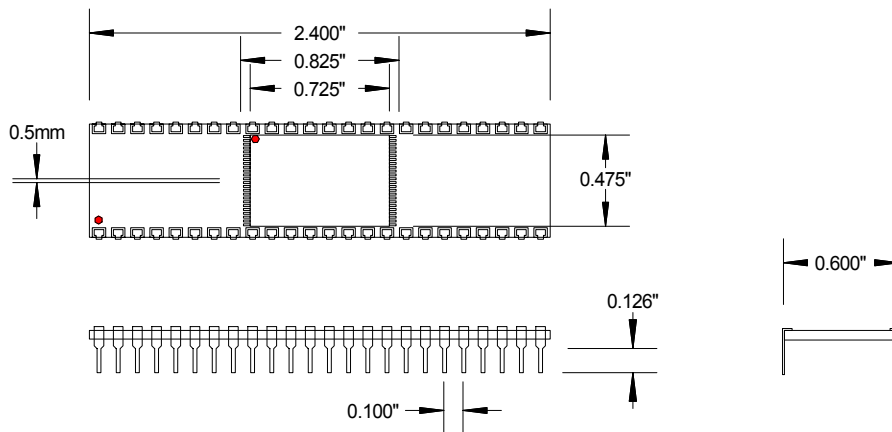
**AK40D600-TSOP**  
**40 PIN TSOP TO DIP**  
**FOR FLASH CHIPS**



PIN CONNECTION

TSOP	DIP	TSOP	DIP
1	31	21	11
2	32	22	12
3	33	23	13
4	34	24	14
5	35	25	15
6	36	26	16
7	37	27	17
8	38	28	18
9	39	29	19
10	40	30	20
11	1	31	21
12	2	32	22
13	3	33	23
14	4	34	24
15	5	35	25
16	6	36	26
17	7	37	27
18	8	38	28
19	9	39	29
20	10	40	30

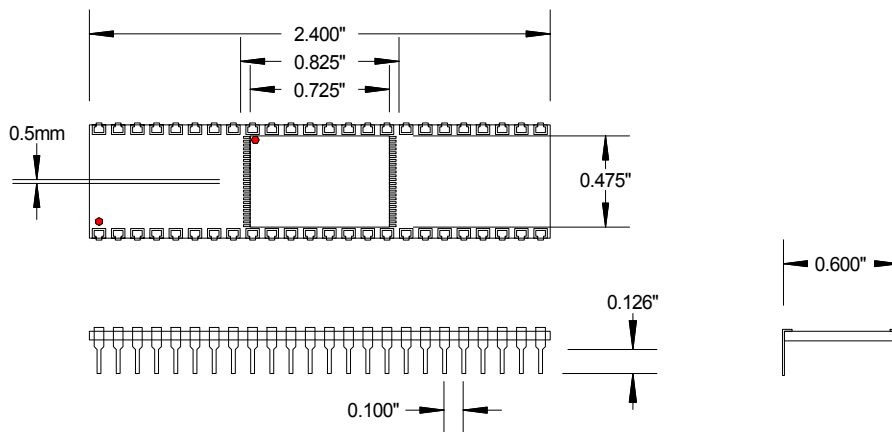
**AK48D600-TSOP**  
**48 PIN TSOP TO DIP**  
**FOR FLASH CHIPS**



PIN CONNECTION

TSOP	DIP	TSOP	DIP
1	1	25	25
2	2	26	26
3	3	27	27
4	4	28	28
5	5	29	29
6	6	30	30
7	7	31	31
8	8	32	32
9	9	33	33
10	10	34	34
11	11	35	35
12	12	36	36
13	13	37	37
14	14	38	38
15	15	39	39
16	16	40	40
17	17	41	41
18	18	42	42
19	19	43	43
20	20	44	44
21	21	45	45
22	22	46	46
23	23	47	47
24	24	48	48

**AK48D600-TSOP-2**  
**48 PIN TSOP TO DIP**  
**FOR FLASH CHIPS**



PIN CONNECTION

TSOP	DIP	TSOP	DIP
1	37	25	13
2	38	26	14
3	39	27	15
4	40	28	16
5	41	29	17
6	42	30	18
7	43	31	19
8	44	32	20
9	45	33	21
10	46	34	22
11	47	35	23
12	48	36	24
13	1	37	25
14	2	38	26
15	3	39	27
16	4	40	28
17	5	41	29
18	6	42	30
19	7	43	31
20	8	44	32
21	9	45	33
22	10	46	34
23	11	47	35
24	12	48	36