



This new family of Accutek DIP Adapter Modules converts surface mount IC's to pin compatible DIP packages for creating drop-in replacements for end-of-life DIP IC's. Package types supported are: SOJ, PLCC, SOIC, SOP, TSOP, QSOP, HSOP, MSOP, LLP (Leadless Leadframe Package), CSP (Chip Scale Package) and CLCC.

These DIP Adapters were developed for users with motherboard designs that require DIP's, now obsolete by manufacturers. These adapter modules save costly motherboard redesigns.

Available with machined or flat contact pins. Accutek DIP Adapter Modules feature 4 to 84 pins, are fully assembled and tested and may include a decoupling capacitor. These DIP Adapters can be manufactured turnkey or from customer supplied surface mount chips. Modules range in length from 0.200" to 4.200" depending on number of pins and incorporate 0.300", 0.400", 0.600", 0.900", 1.200" and 1.400" row-to-row spacing with 0.100" lead spacing.

Custom configurations up to 200 pins, multi-chip and double sided modules are also available for special functions. A variety of pin lengths with varying diameters as well as custom sizes and spacing can be specified with different materials and finishes. All modules are designed in-house using PCB CAD workstations. Automated assembly and 100% testing are also performed in-house.

64 Pin to 72 Pin DIP Adapters

DIP ADAPTER MODULES ELIMINATE THE NEED TO REDESIGN MOTHERBOARDS OR MAY BE USED FOR BREADBOARD PROTOTYPING

FEATURES

- Saves costly redesign of current motherboards
- Fully tested with lifetime limited warranty
- May include an on board decoupling capacitor
- IC assembly and testing available
- EPROM and Flash programming available
- Custom lead lengths available
- Custom multi-chip and double-sided modules available

ORDERING OPTIONS

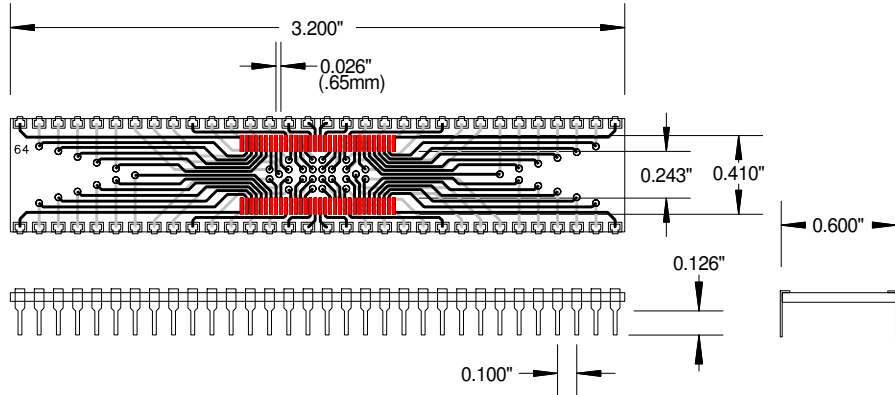
- Adapter only
- Customer supplies chips - Accutek assembles on Accutek adapters, tests and delivers finished product in antistatic tubes.
- Complete turnkey - Accutek purchases IC's and passives. Then assembles, tests and delivers finished product in antistatic tubes.

We can assemble your chips on to our adapter boards. Fully automated assembly and test at our Newburyport, Massachusetts facility.

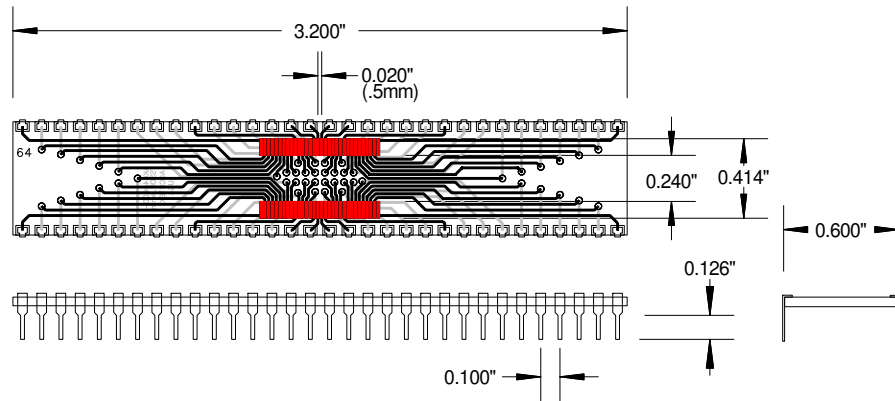


No job is too large or too small.

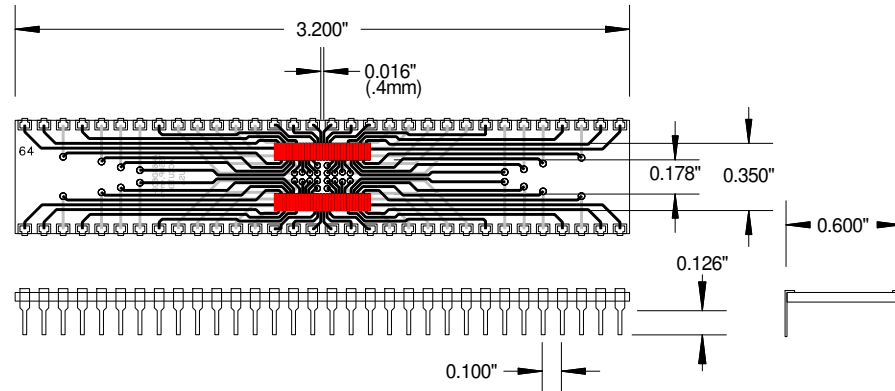
AK64D600-TSSOP.65
.65MM TSSOP
TO 64 PIN DIP



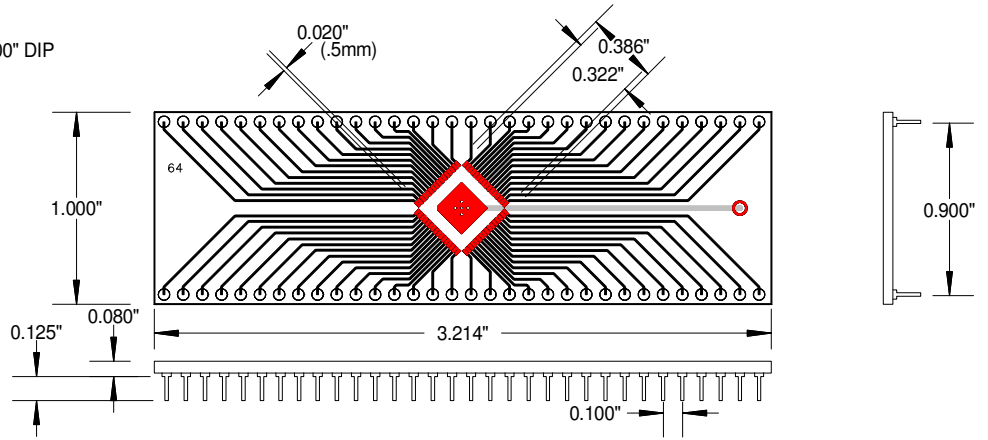
AK64D600-TSSOP.5
.5MM TSSOP
TO 64 PIN DIP



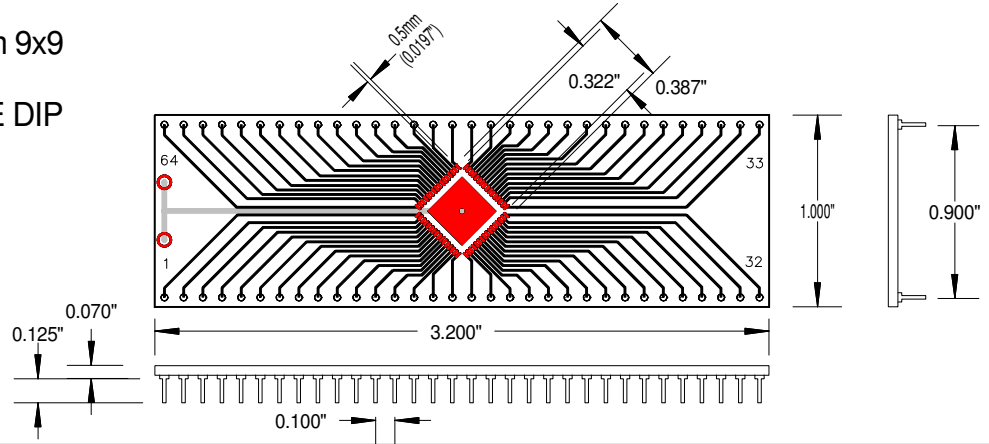
AK64D600-TSSOP.4
.4MM TSSOP
TO 64 PIN DIP



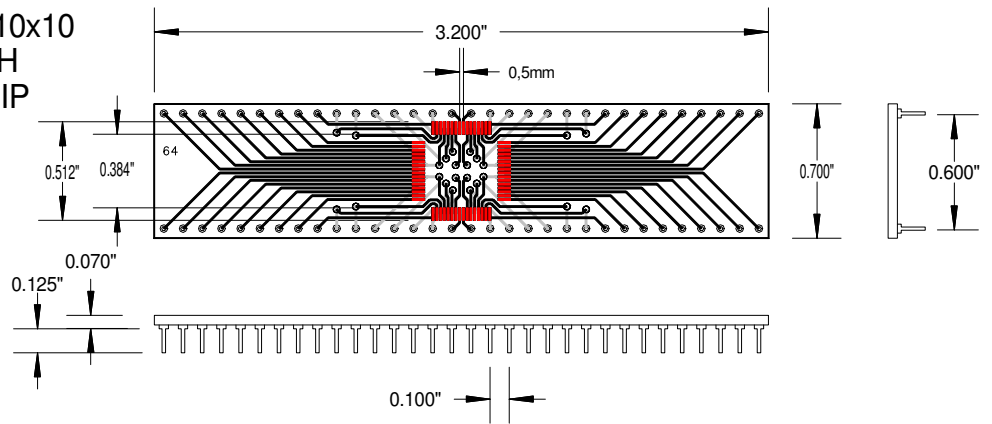
AK64D900-QFN/MLP 9X9
 9MM-64 PIN QFN/MLP 0.5MM PITCH TO 0.900" DIP



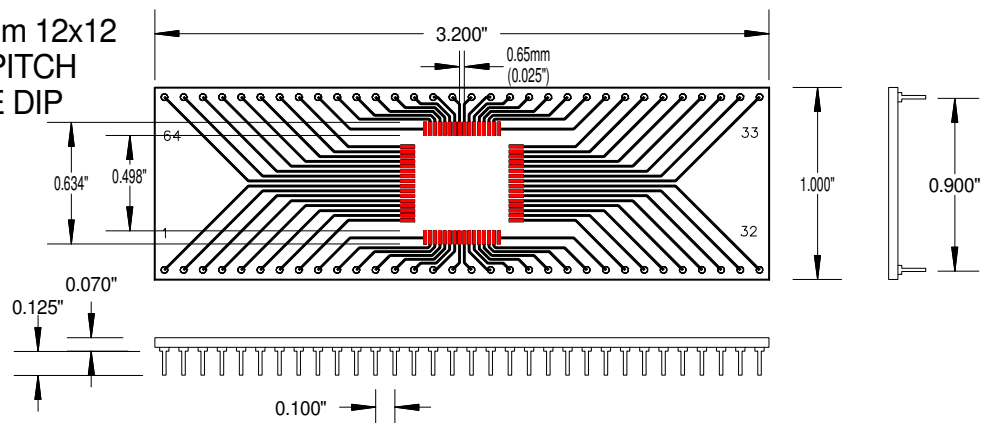
AK64D900-LGA .5mm 9x9
 LGA 0.5mm PITCH
 TO 64 PIN 900 WIDE DIP



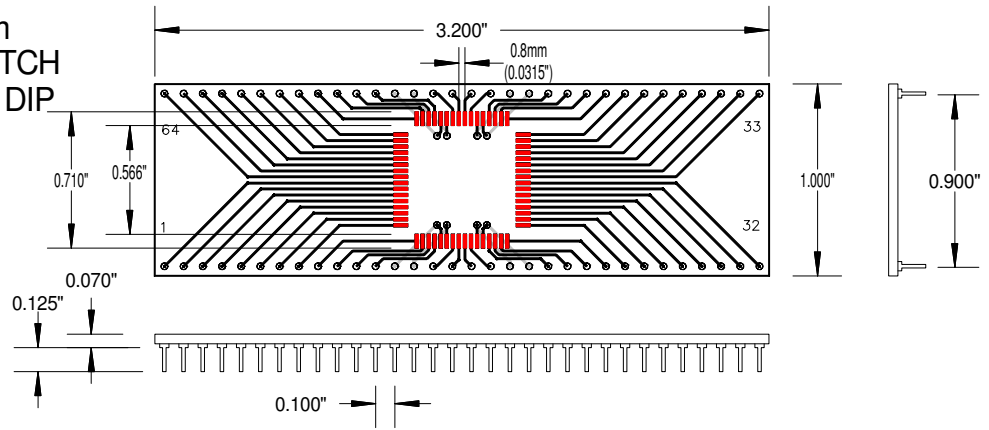
AK64D600-QFP .5mm 10x10
 10x10 QFP .5mm PITCH
 TO 64 PIN 600 WIDE DIP



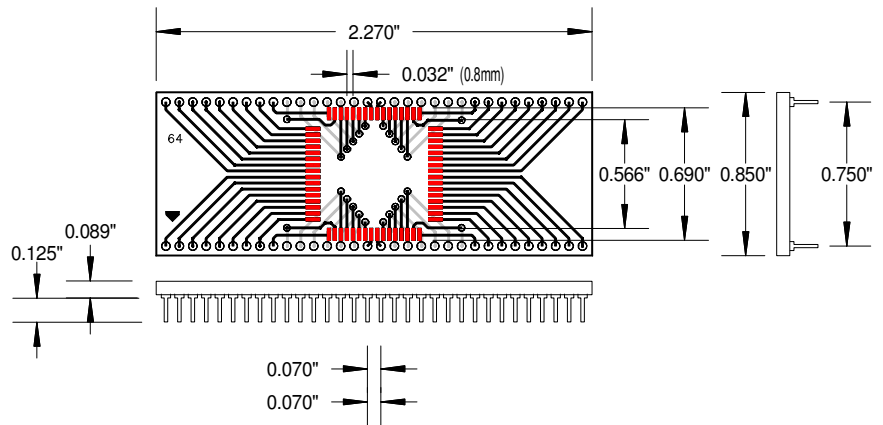
AK64D900-QFP .65mm 12x12
 12x12 QFP 0.65mm PITCH
 TO 64 PIN 900 WIDE DIP



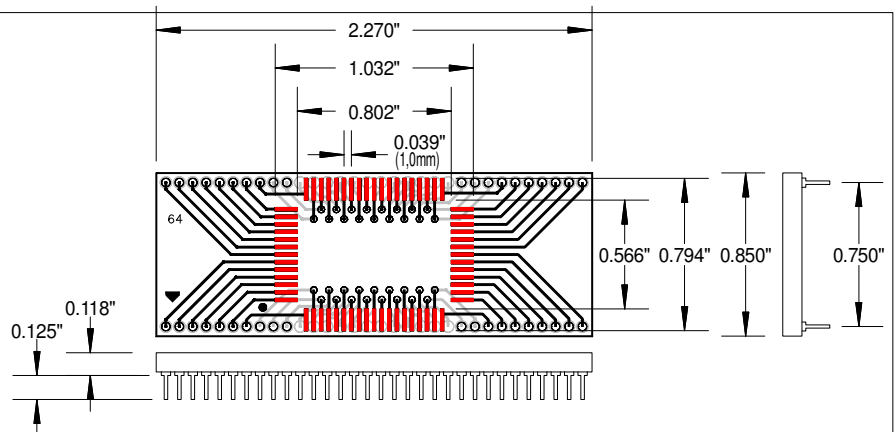
AK64D900-QFP .8mm
 15x15 QFP 0.8mm PITCH
 TO 64 PIN 900 WIDE DIP



AK64D750-70-QFP14x14-0.8MM
 64PIN 14 x 14 QFP 0.8mm PITCH
 TO 64 PIN SHRINK DIP
 0.750 x 0.070" PIN CENTERS

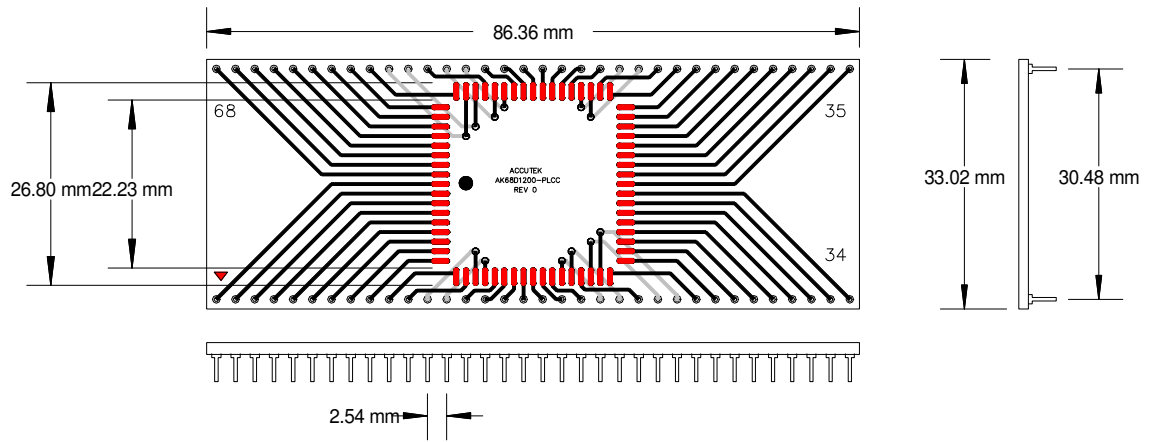


AK64D750-70-QFP14x20-1.0MM
 64PIN 14 x 20 QFP 1.0mm PITCH
 TO 64 PIN SHRINK DIP
 0.750 x 0.070" PIN CENTERS



AK68D1200-PLCC

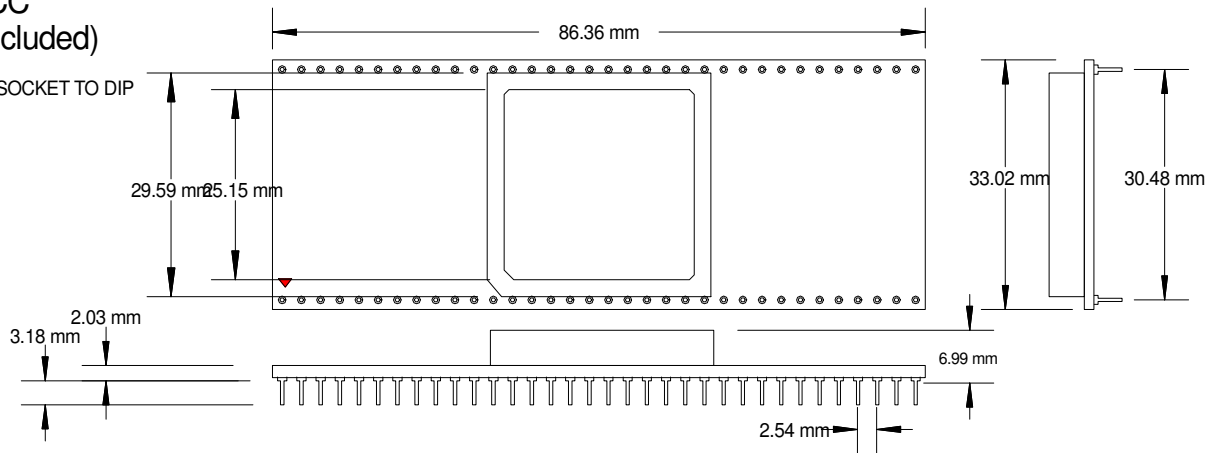
68 PIN PLCC TO DIP



AK68DS1200-PLCC

(with PLCC Socket included)

68 PIN PLCC SOCKET TO DIP



AK72D900-QFN/MLP 10X10

10MM-72 PIN QFN/MLP 0.5MM PITCH TO 0.900" DIP

