



This new family of Accutek DIP Adapter Modules converts surface mount IC's to pin compatible DIP packages for creating drop-in replacements for end-of-life DIP IC's. Package types supported are: SOJ, PLCC, SOIC, SOP, TSOP, QSOP, HSOP, MSOP, LLP (Leadless Leadframe Package), CSP (Chip Scale Package) and CLCC.

These DIP Adapters were developed for users with motherboard designs that require DIP's, now obsolete by manufacturers. These adapter modules save costly motherboard redesigns.

Available with machined or flat contact pins. Accutek DIP Adapter Modules feature 4 to 84 pins, are fully assembled and tested and may include a decoupling capacitor. These DIP Adapters can be manufactured turnkey or from customer supplied surface mount chips. Modules range in length from 0.200" to 4.200" depending on number of pins and incorporate 0.300", 0.400", 0.600", 0.900", 1.200" and 1.400" row-to-row spacing with 0.100" lead spacing.

Custom configurations up to 200 pins, multi-chip and double sided modules are also available for special functions. A variety of pin lengths with varying diameters as well as custom sizes and spacing can be specified with different materials and finishes. All modules are designed in-house using PCB CAD workstations. Automated assembly and 100% testing are also performed in-house.

36 Pin to 40 Pin DIP Adapters

DIP ADAPTER MODULES ELIMINATE THE NEED TO REDESIGN MOTHERBOARDS OR MAY BE USED FOR BREADBOARD PROTOTYPING

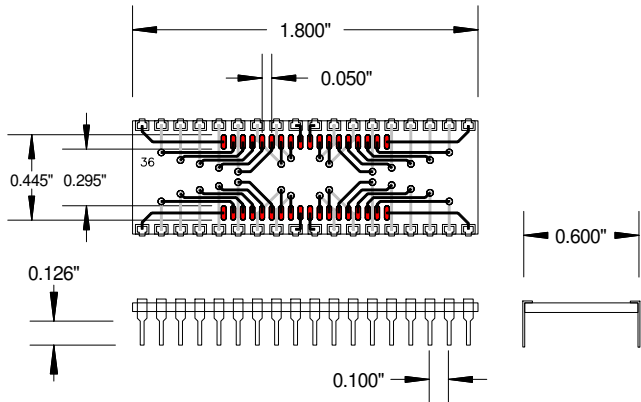
FEATURES

- Saves costly redesign of current motherboards
- Fully tested with lifetime limited warranty
- May include an on board decoupling capacitor
- IC assembly and testing available
- EPROM and Flash programming available
- Custom lead lengths available
- Custom multi-chip and double-sided modules available

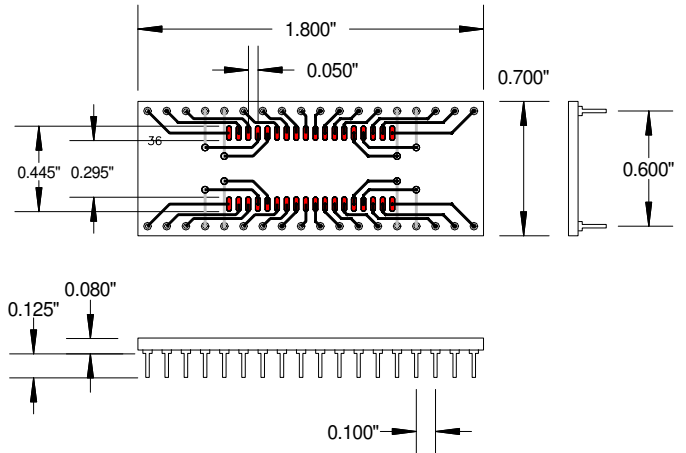
ORDERING OPTIONS

- Adapter only
- Customer supplies chips - Accutek assembles on Accutek adapters, tests and delivers finished product in antistatic tubes.
- Complete turnkey - Accutek purchases IC's and passives. Then assembles, tests and delivers finished product in antistatic tubes.

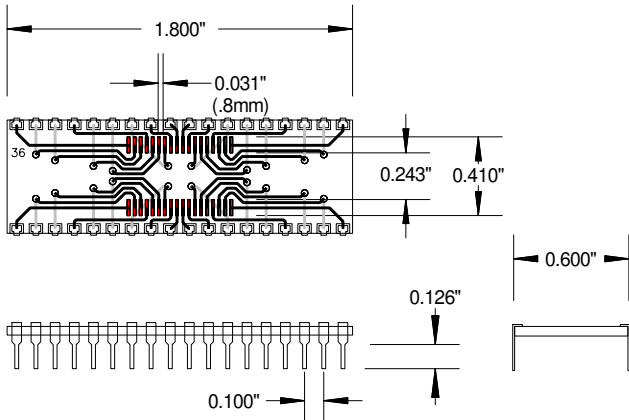
AK36D600F-SOJ4
400 MIL SOJ
TO 36 PIN DIP



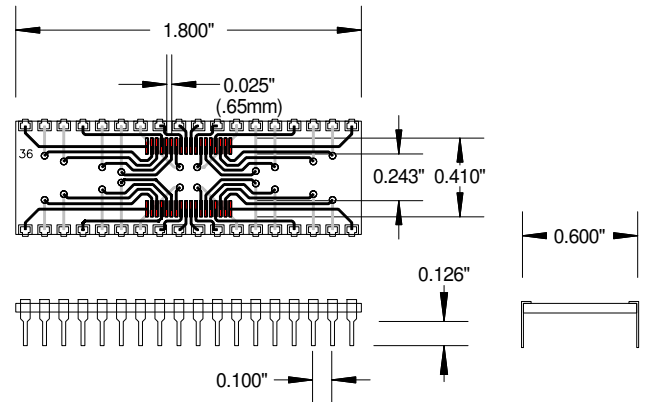
AK36D600M-SOJ4
36 PIN 400MIL SOJ TO DIP (MACHINED PINS)



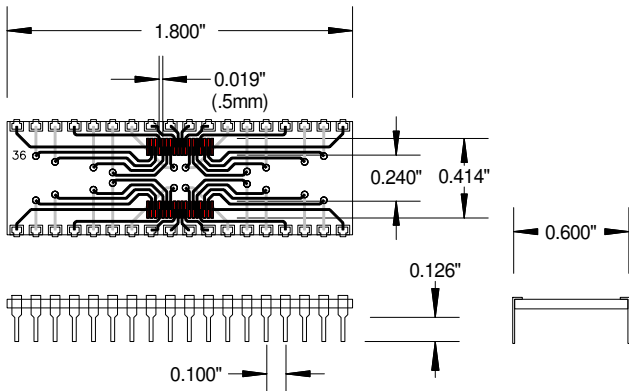
AK36D600-TSSOP.8
.8mm PITCH TSSOP
TO 36 PIN DIP



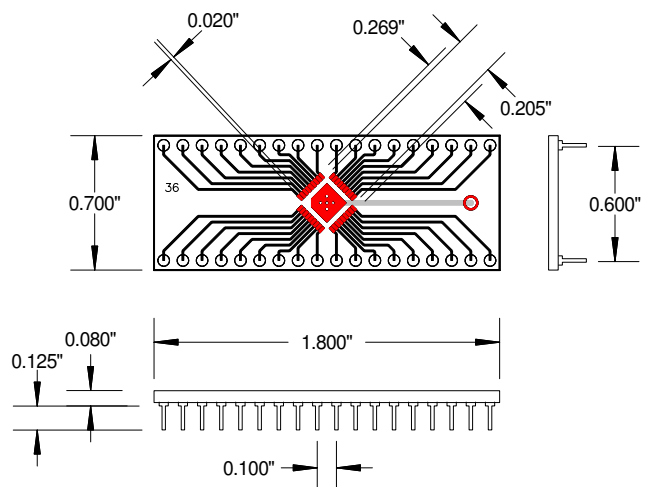
AK36D600-TSSOP.65
.65mm PITCH TSSOP
TO 36 PIN DIP



AK36D600-TSSOP.5
.5mm PITCH TSSOP
TO 36 PIN DIP

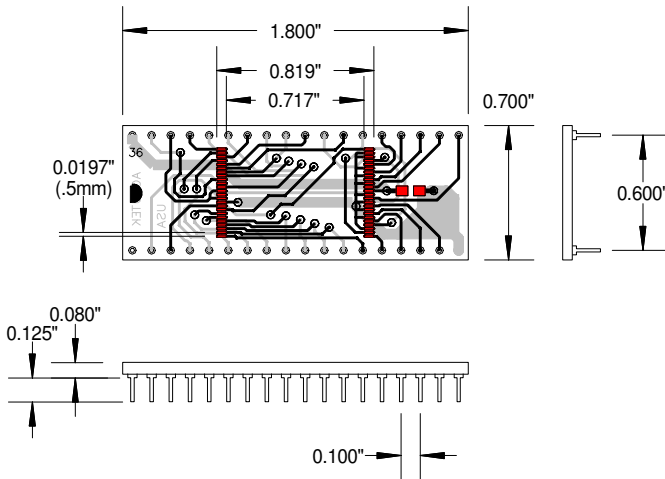


AK36D600-QFN/MLP 6X6
6MM-32 PIN QFN/MLP 0.5MM PITCH TO .600" DIP



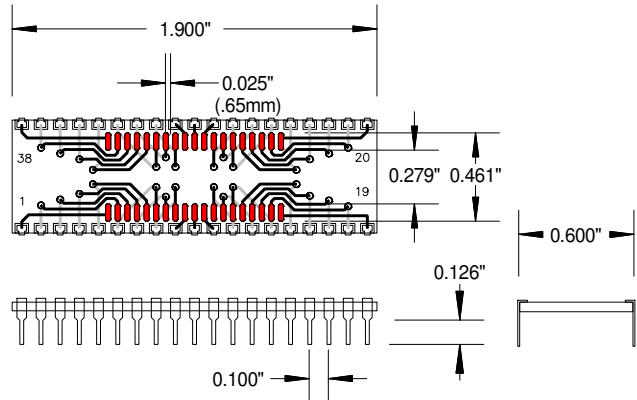
AK36D600-48TSOP

48 PIN TSOP SRAM TO 36 PIN DIP
FOR 2 MEG X 8 SRAM



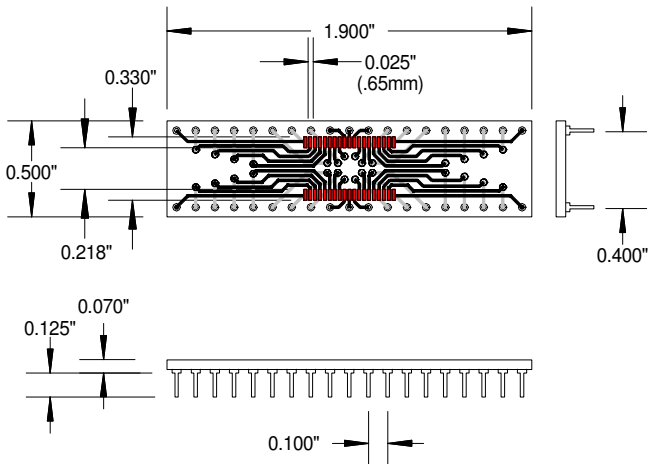
AK38D600-SOJ400

0.400" SOJ TO 38 PIN DIP



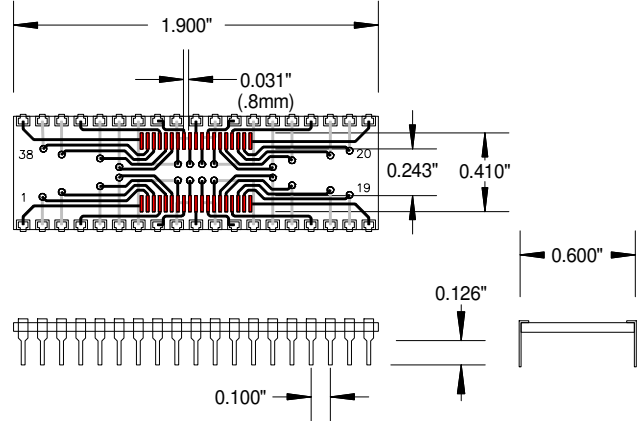
AK38D400-SSOP

38 PIN SSOP & TSOP TO DIP



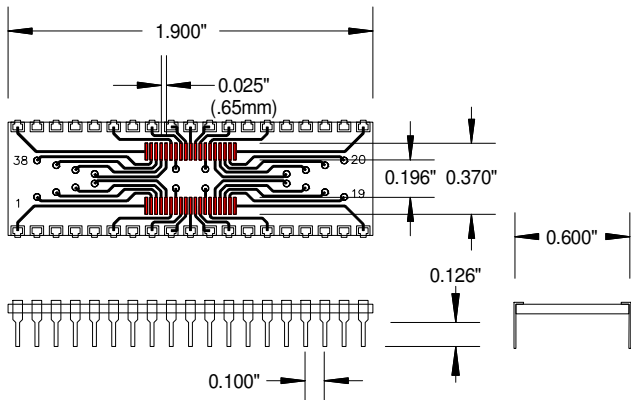
AK38D600-TSSOP.8

.8mm TSSOP
TO 38 PIN DIP



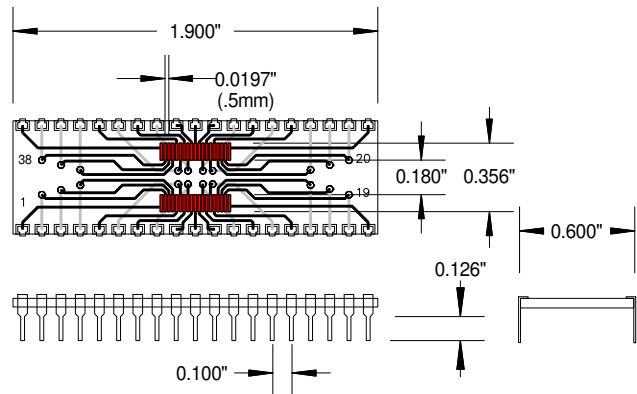
AK38D600-TSSOP.65

.65mm TSSOP
TO 38 PIN DIP

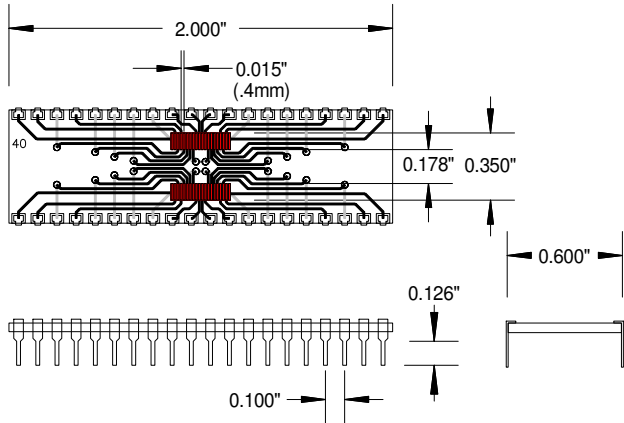


AK38D600-TSSOP.5

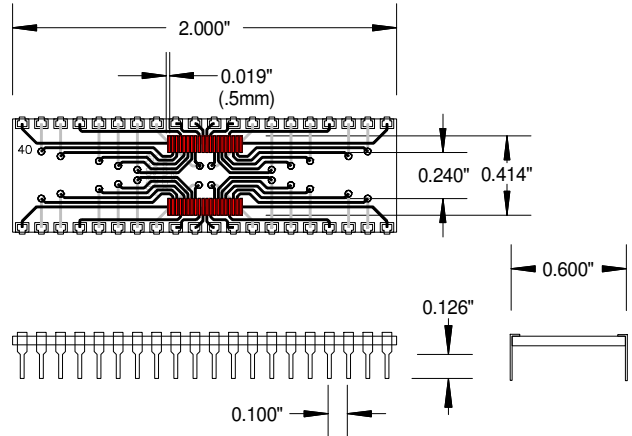
.5mm PITCH TSSOP
TO 38 PIN DIP



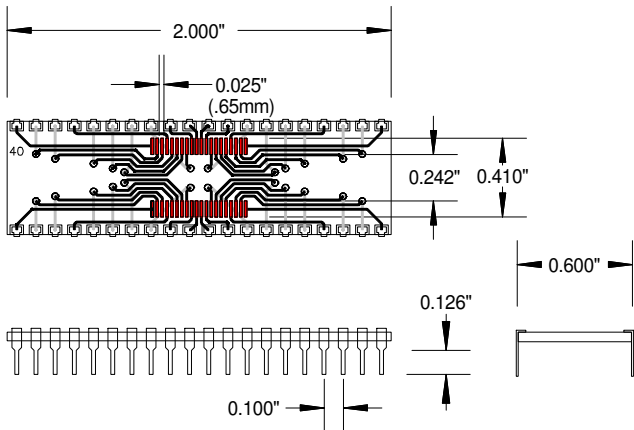
AK40D600-TSSOP.4
.4MM TSSOP
TO 40 PIN DIP



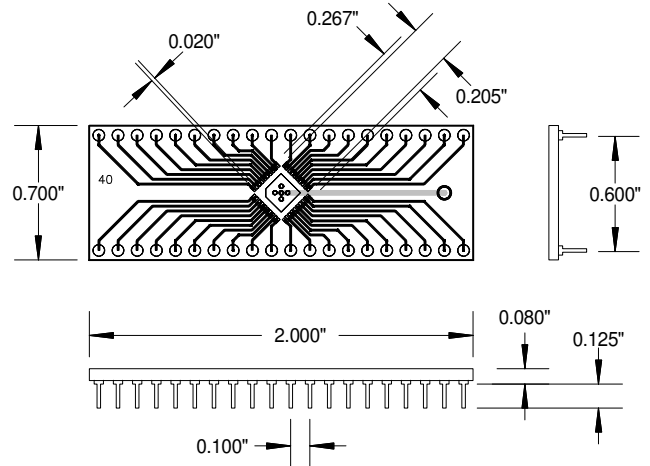
AK40D600-TSSOP.5
.5MM TSSOP
TO 40 PIN DIP



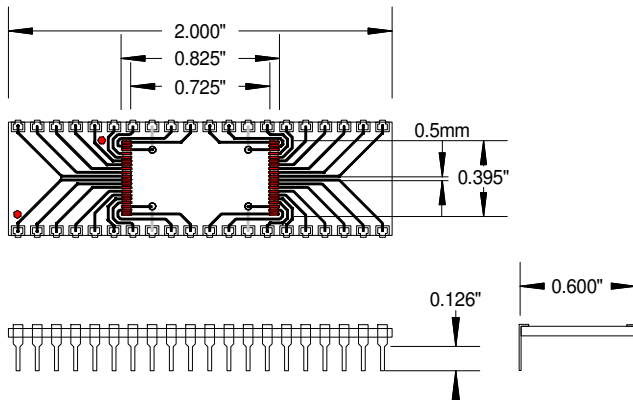
AK40D600-TSSOP.65
.65MM TSSOP
TO 40 PIN DIP



AK40D600-QFN/MLP 6X6
6MM-40 PIN QFN/MLP 0.5MM PITCH TO 0.600" DIP



AK40D600-TSOP
40 PIN TSOP TO DIP
FOR FLASH CHIPS



PIN CONNECTION

TSOP		DIP	
1	31	21	11
2	32	22	12
3	33	23	13
4	34	24	14
5	35	25	15
6	36	26	16
7	37	27	17
8	38	28	18
9	39	29	19
10	40	30	20
11	1	31	21
12	2	32	22
13	3	33	23
14	4	34	24
15	5	35	25
16	6	36	26
17	7	37	27
18	8	38	28
19	9	39	29
20	10	40	30