



This new family of Accutek DIP Adapter Modules converts surface mount IC's to pin compatible DIP packages for creating drop-in replacements for end-of-life DIP IC's. Package types supported are: SOJ, PLCC, SOIC, SOP, TSOP, QSOP, HSOP, MSOP, LLP (Leadless Leadframe Package), CSP (Chip Scale Package) and CLCC.

These DIP Adapters were developed for users with motherboard designs that require DIP's, now obsolete by manufacturers. These adapter modules save costly motherboard redesigns.

Available with machined or flat contact pins. Accutek DIP Adapter Modules feature 4 to 84 pins, are fully assembled and tested and may include a decoupling capacitor. These DIP Adapters can be manufactured turnkey or from customer supplied surface mount chips. Modules range in length from 0.200" to 4.200" depending on number of pins and incorporate 0.300", 0.400", 0.600", 0.900", 1.200" and 1.400" row-to-row spacing with 0.100" lead spacing.

Custom configurations up to 200 pins, multi-chip and double sided modules are also available for special functions. A variety of pin lengths with varying diameters as well as custom sizes and spacing can be specified with different materials and finishes. All modules are designed in-house using PCB CAD workstations. Automated assembly and 100% testing are also performed in-house.

28 Pin DIP Adapters

DIP ADAPTER MODULES ELIMINATE THE NEED TO REDESIGN MOTHERBOARDS OR MAY BE USED FOR BREADBOARD PROTOTYPING

FEATURES

- Saves costly redesign of current motherboards
- Fully tested with lifetime limited warranty
- May include an on board decoupling capacitor
- IC assembly and testing available
- EPROM and Flash programming available
- Custom lead lengths available
- Custom multi-chip and double-sided modules available

ORDERING OPTIONS

- Adapter only
- Customer supplies chips - Accutek assembles on Accutek adapters, tests and delivers finished product in antistatic tubes.
- Complete turnkey - Accutek purchases IC's and passives. Then assembles, tests and delivers finished product in antistatic tubes.

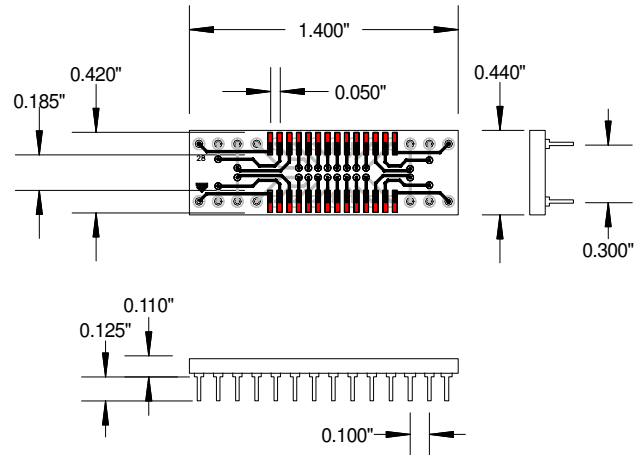
We can assemble your chips on to our adapter boards. Fully automated assembly and test at our Newburyport, Massachusetts facility.



No job is too large or too small.

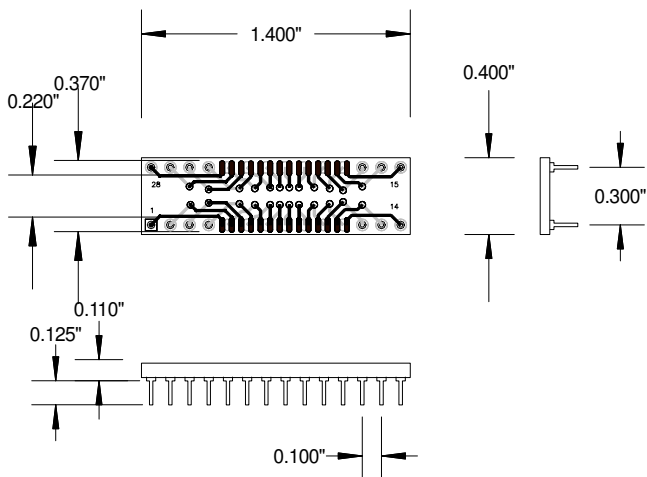
AK28D300-SOIC

28 PIN SOIC TO DIP



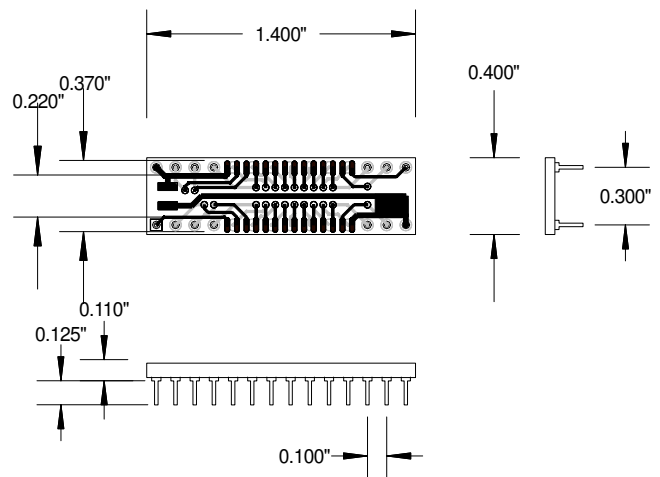
AK28D300-SOJ

28 PIN SOJ TO .300" DIP



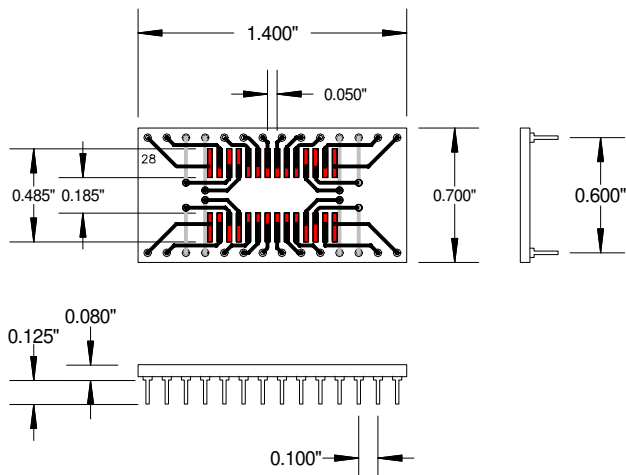
AK28D300-SRAM

28 PIN SOJ SRAM TO .300" DIP



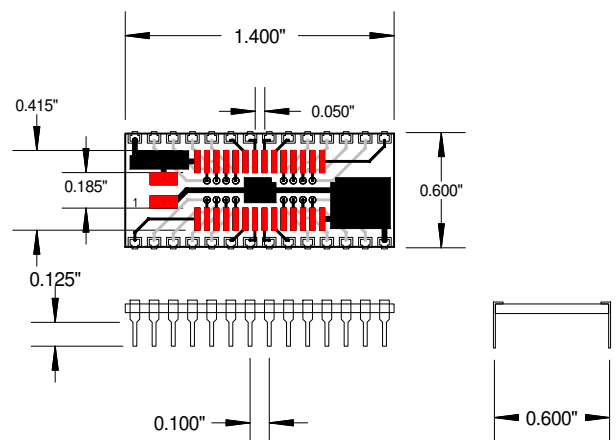
AK28D600-SOIC/SOJ

28 PIN SOIC OR SOJ TO DIP

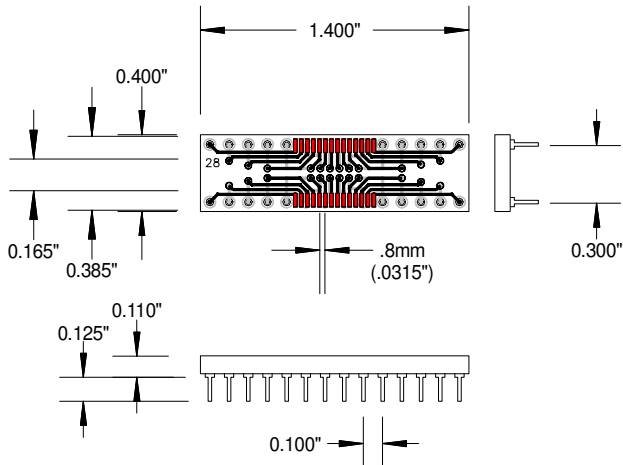


AK28D600-SRAM

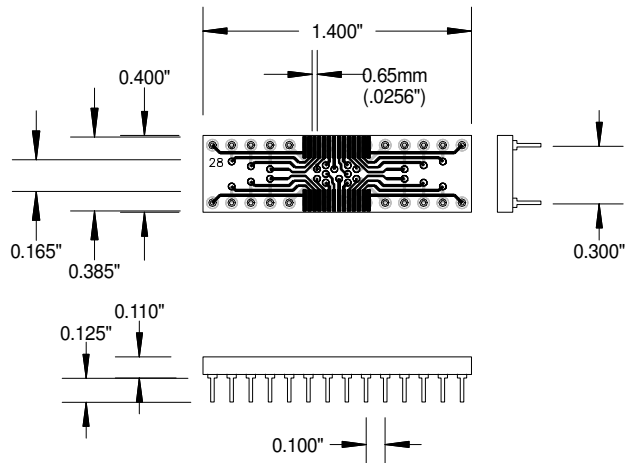
28 PIN SOIC OR SOJ TO DIP FOR MEMORY CHIPS



AK28D300-SSOP.8mm
28 PIN SSOP 0.8mm PITCH TO DIP

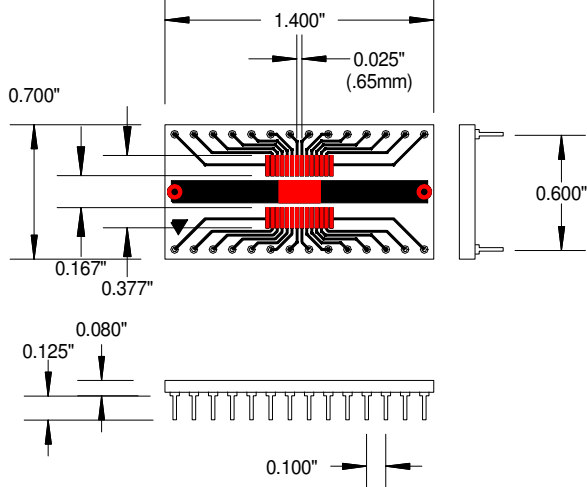


AK28D300-TSOP
28 PIN TSOP & SSOP 0.65mm PITCH TO DIP



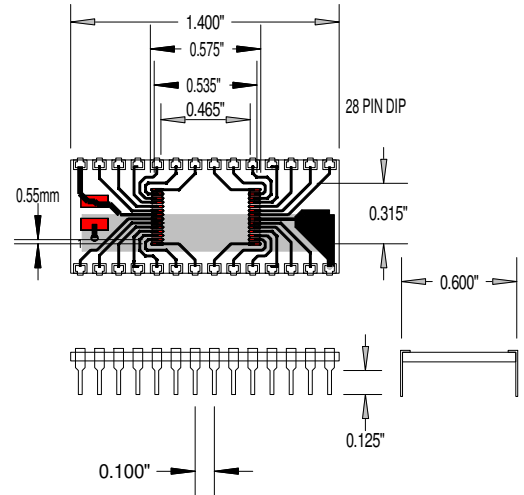
AK28D600-TSSOP-TP

28 PIN 0.65mm PITCH TSSOP WITH EXPOSED THERMAL PAD TO DIP600



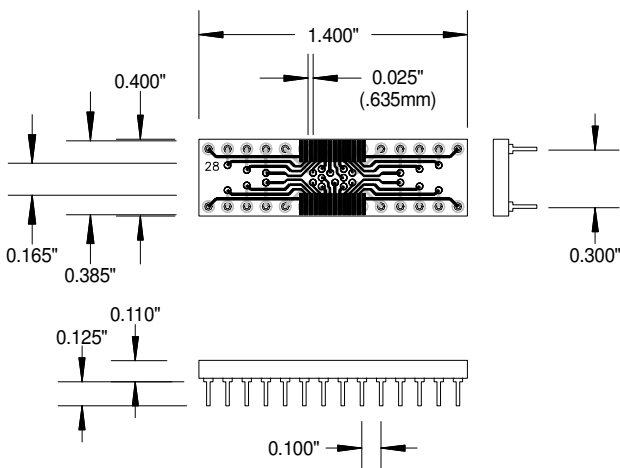
AK28D600-TSOP

28 PIN 0.55mm PITCH TYPE 1 TSOP TO DIP FOR MEMORY



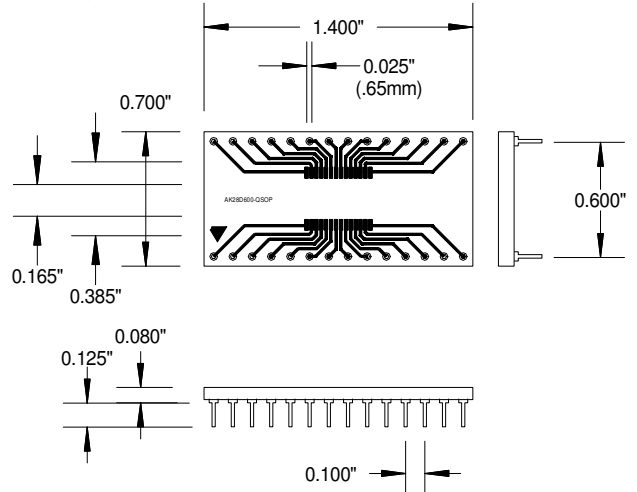
AK28D300-QSOP

28 PIN QSOP 0.025" PITCH TO DIP

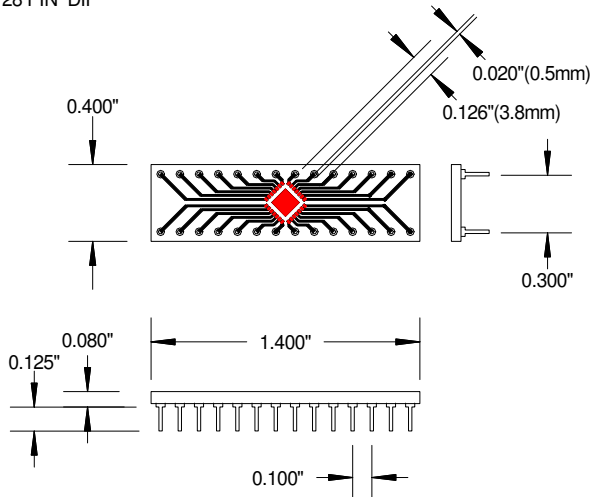


AK28D600-QSOP

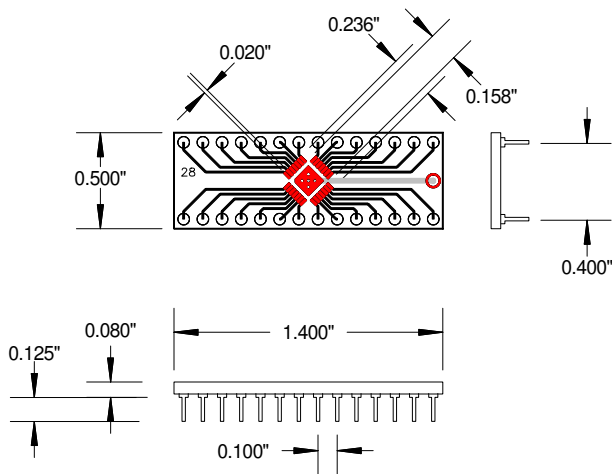
28 PIN QSOP & SSOP TO DIP600



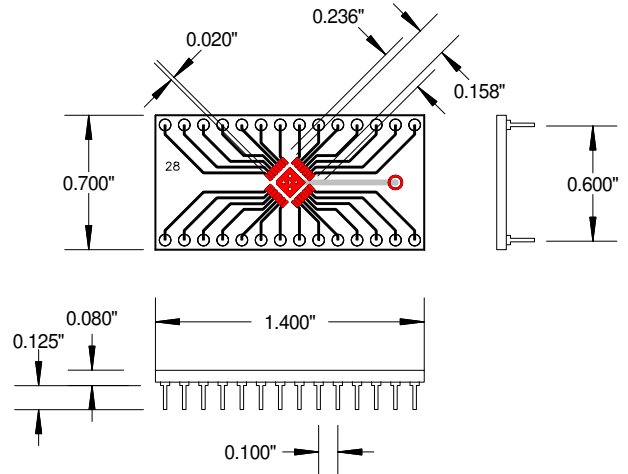
AK28D300-LLP
LEADLESS LEADFRAME PACKAGE(5 X 5)
TO 28 PIN DIP



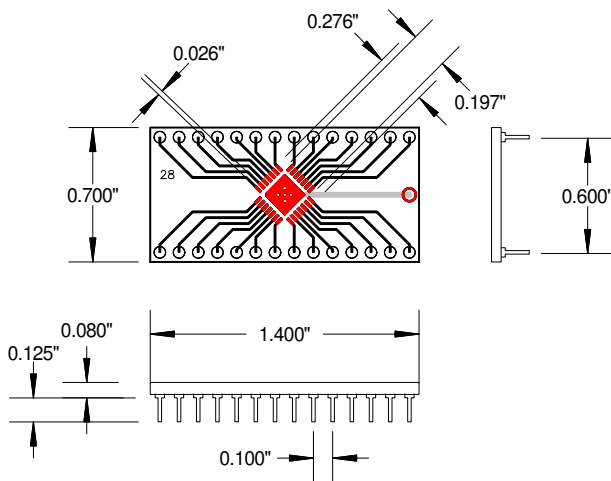
AK28D400-QFN/MLP 5X5
5MM-28 PIN QFN/MLP 0.5MM PITCH TO 0.400" DIP



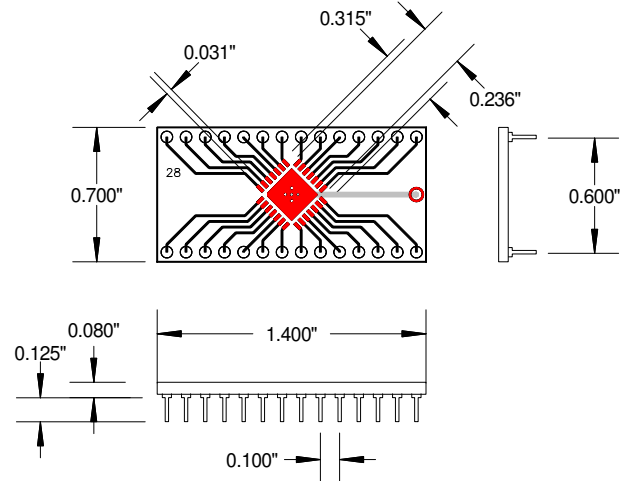
AK28D600-QFN/MLP 5X5
5MM-28 PIN QFN/MLP 0.5MM PITCH TO 0.600" DIP



AK28D600-QFN/MLP 6X6
6MM-28 PIN QFN/MLP 0.65MM PITCH TO 0.600" DIP

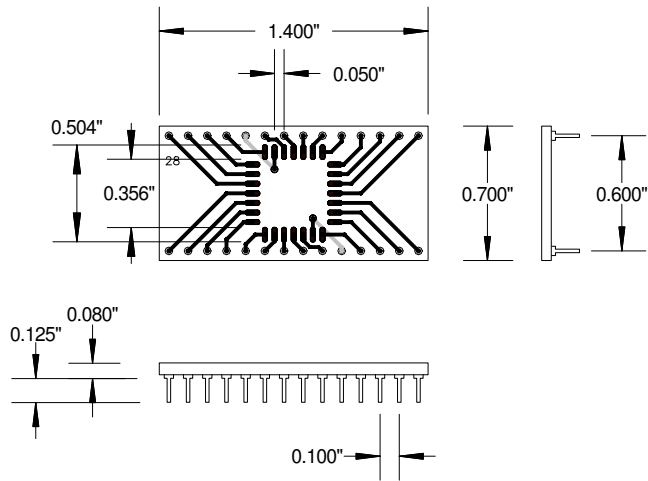


AK28D600-QFN/MLP 7X7
7MM-28 PIN QFN/MLP 0.8MM PITCH TO 0.600" DIP



AK28DW600-PLCC

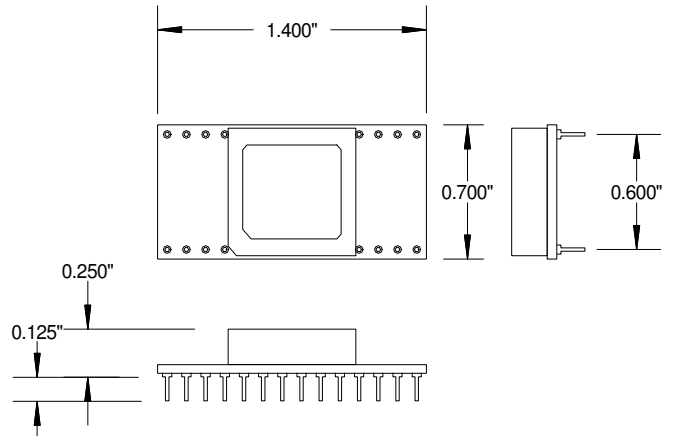
28 PIN PLCC TO DIP (MACHINED PINS)



AK28DWS600-PLCC

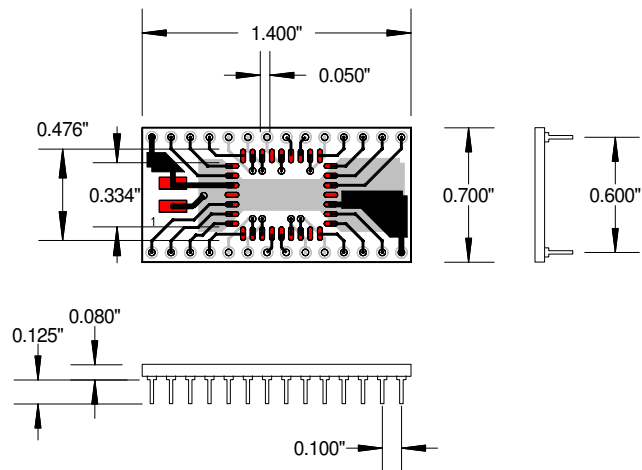
(with PLCC Socket included)

28 PIN PLCC SOCKET TO DIP (MACHINED PINS)



AK28DW600-32PLCC-M

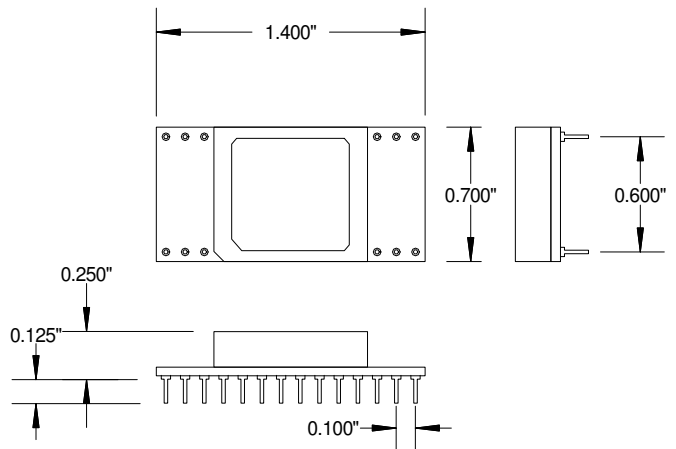
32 PIN PLCC TO 28 PIN DIP (MACHINED PINS)



AK28DWS600-32PLCC-M

(with PLCC Socket included)

32 PIN PLCC SOCKET TO 28 PIN DIP (MACHINED PINS)



AK28D600-32PLCC

32 PIN PLCC TO 28 PIN DIP

