

## 16 Pin to 18 Pin DIP Adapters

# DIP ADAPTER MODULES ELIMINATE THE NEED TO REDESIGN MOTHERBOARDS OR MAY BE USED FOR BREADBOARD PROTOTYPING



This new family of Accutek DIP Adapter Modules converts surface mount IC's to pin compatible DIP packages for creating drop-in replacements for end-of-life DIP IC's. Package types supported are: SOJ, PLCC, SOIC, SOP, TSOP, QSOP, HSOP, MSOP, LLP (Leadless Leadframe Package), CSP (Chip Scale Package) and CLCC.

These DIP Adapters were developed for users with motherboard designs that require DIP's, now obsolete by manufacturers. These adapter modules save costly motherboard redesigns.

Available with machined or flat contact pins. Accutek DIP Adapter Modules feature 4 to 84 pins, are fully assembled and tested and may include a decoupling capacitor. These DIP Adapters can be manufactured turnkey or from customer supplied surface mount chips. Modules range in length from 0.200" to 4.200" depending on number of pins and incorporate 0.300", 0.400", 0.600", 0.900", 1.200" and 1.400" row-to-row spacing with 0.100" lead spacing.

Custom configurations up to 200 pins, multi-chip and double sided modules are also available for special functions. A variety of pin lengths with varying diameters as well as custom sizes and spacing can be specified with different materials and finishes. All modules are designed in-house using PCB CAD workstations. Automated assembly and 100% testing are also performed in-house.

### FEATURES

- Saves costly redesign of current motherboards
- Fully tested with lifetime limited warranty
- May include an on board decoupling capacitor
- IC assembly and testing available
- EPROM and Flash programming available
- Custom lead lengths available
- Custom multi-chip and double-sided modules available

### ORDERING OPTIONS

- Adapter only
- Customer supplies chips - Accutek assembles on Accutek adapters, tests and delivers finished product in antistatic tubes.
- Complete turnkey - Accutek purchases IC's and passives. Then assembles, tests and delivers finished product in antistatic tubes.

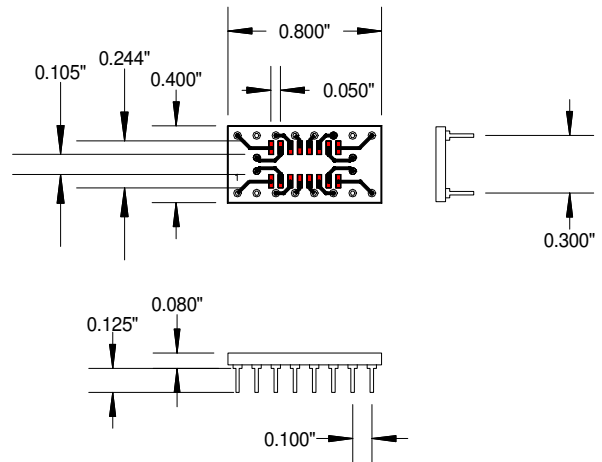
We can assemble your chips on to our adapter boards. Fully automated assembly and test at our Newburyport, Massachusetts facility.



No job is too large or too small.

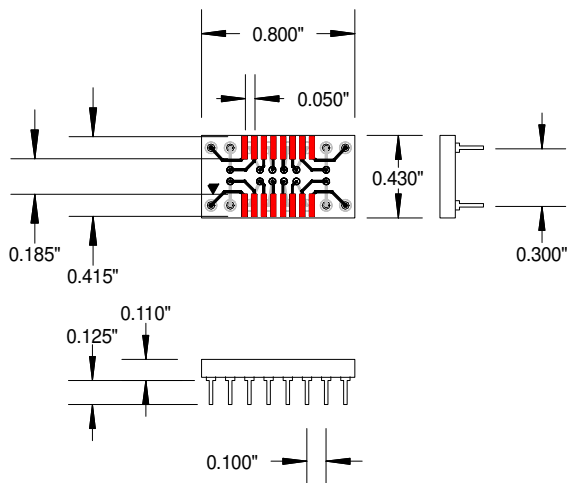
### AK16D300-NSO

16 PIN SOIC TO DIP



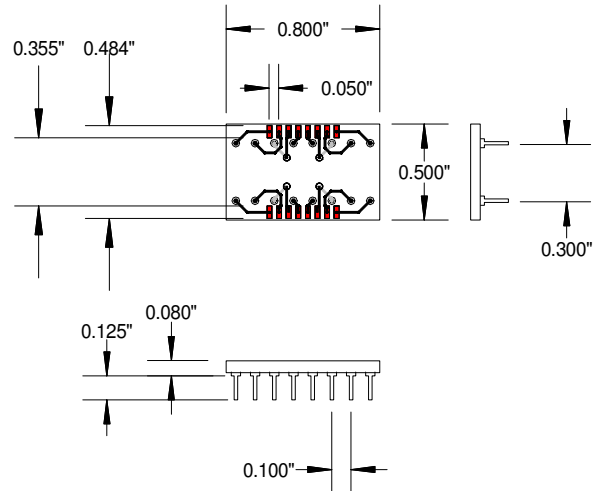
### AK16D300-NWSO

16 PIN NARROW OR WIDE SOIC TO DIP



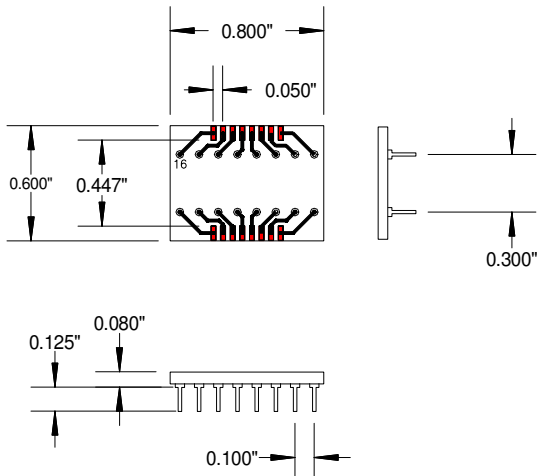
### AK16D300-WSO

16 PIN WIDE SOIC TO DIP



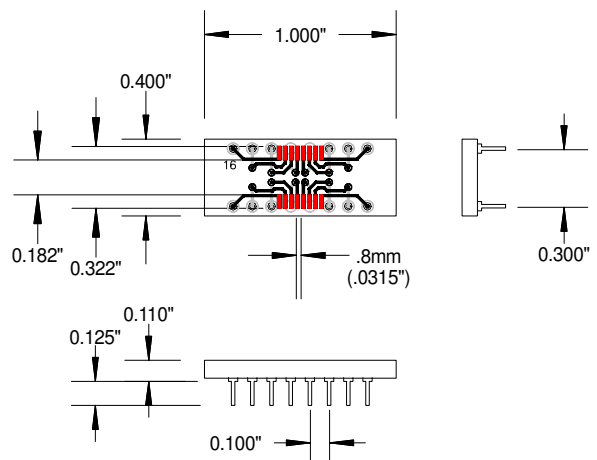
### AK16D300-HSOP

16 PIN HSOP TO DIP

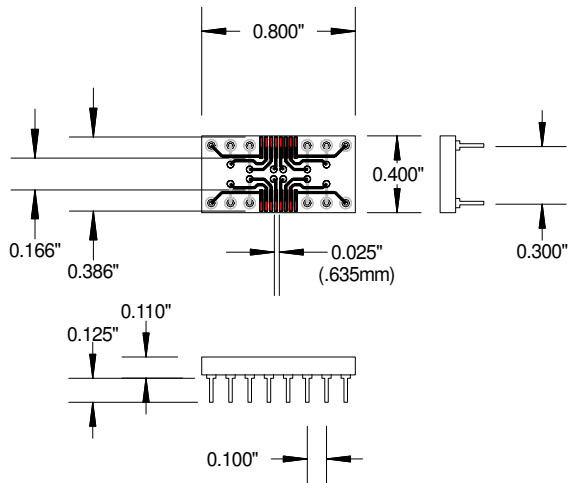


### AK16D300-SSOP.8mm

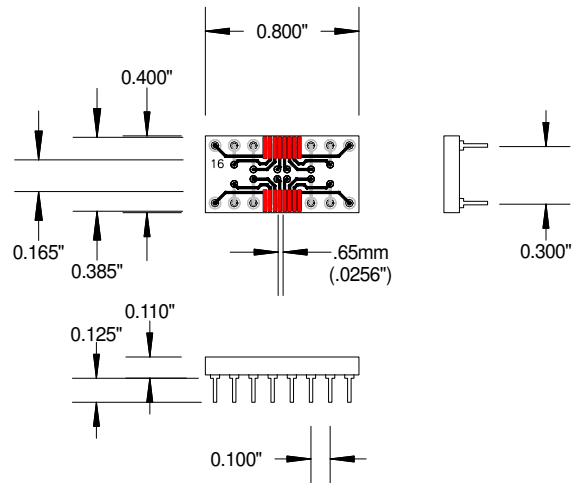
16 PIN SSOP 0.8mm PITCH TO DIP



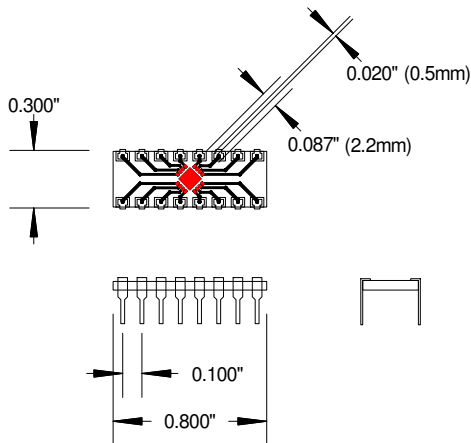
**AK16D300-QSOP**  
16 PIN QSOP & SSOP TO DIP



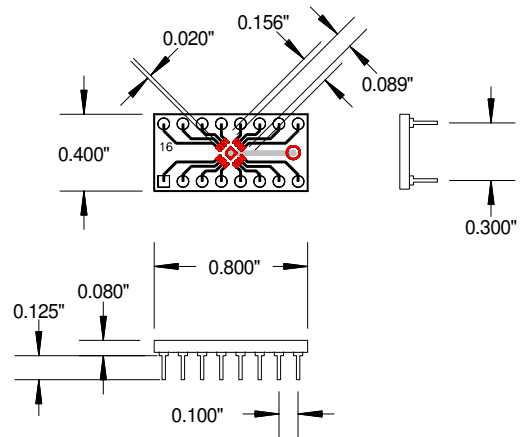
**AK16D300-TSOP**  
16 PIN TSOP TO DIP



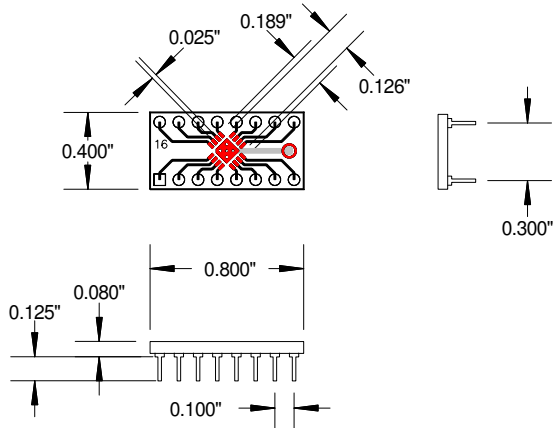
**AK16D300-LLP4X4**  
LEADLESS LEADFRAME PACKAGE (4 X 4)  
TO 16 PIN DIP



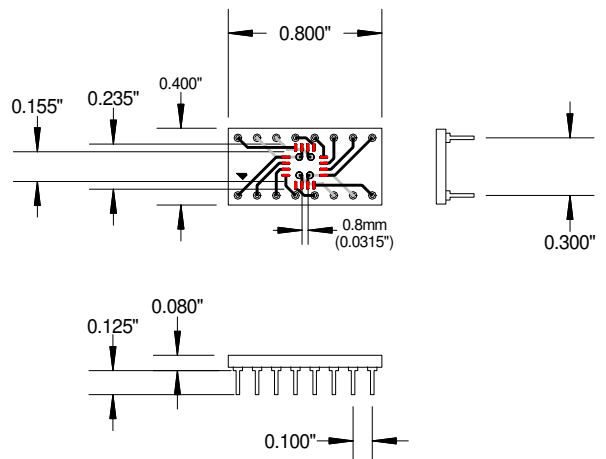
**AK16D300-QFN/MLP 3X3**  
3MM-16 PIN QFN/MLP 0.5MM PITCH TO DIP



**AK16D300-QFN/MLP 4X4**  
4MM-16 PIN QFN/MLP 0.65MM PITCH TO 16 PIN DIP

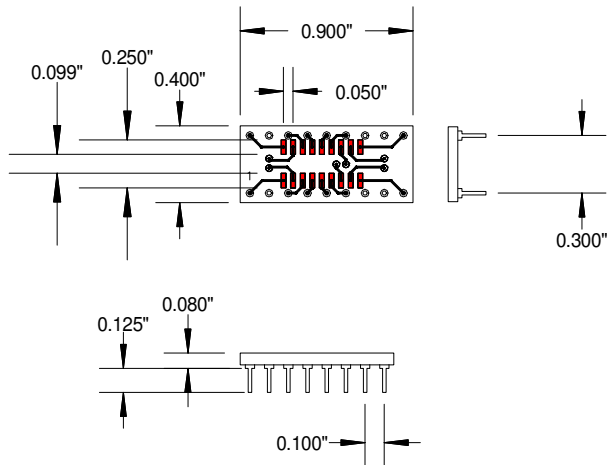


**AK16D300-QFN5X5**  
16 PIN QUAD FLAT NO-LEAD PACKAGE 0.8mm PITCH TO DIP



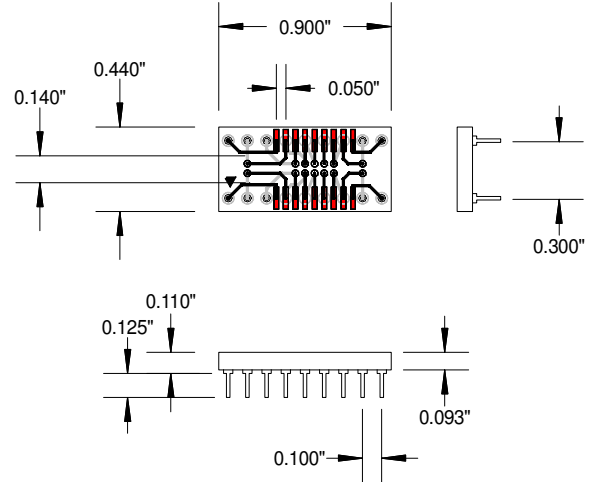
### AK18D300-NSO

18 PIN NARROW SOIC TO DIP



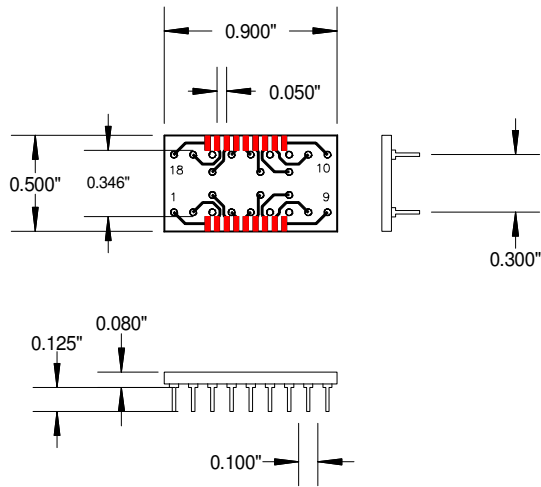
### AK18D300-NWSO

18 PIN WIDE OR NARROW SOIC TO DIP



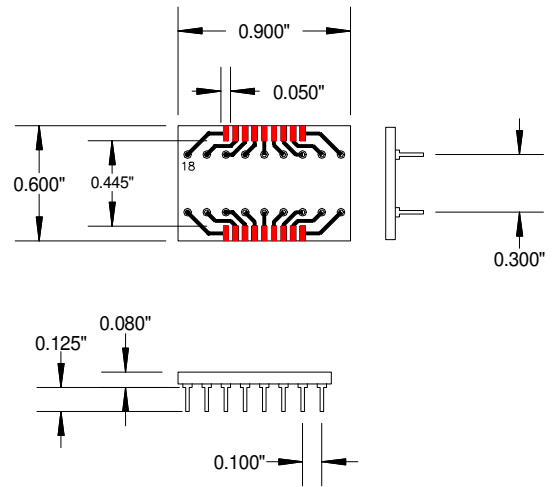
### AK18D300-WSO

18 PIN WIDE SOIC TO DIP



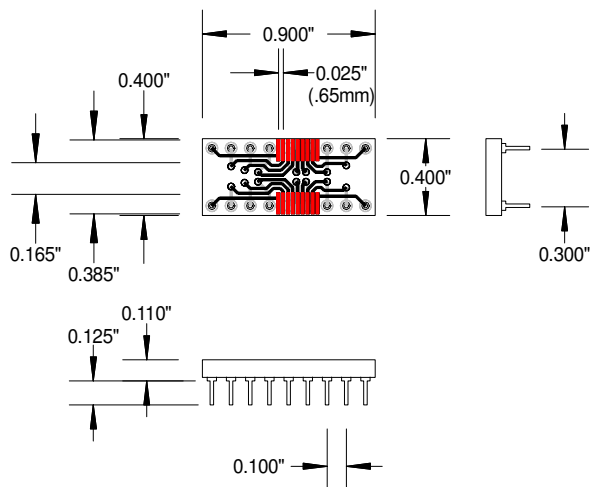
### AK18D300-HSOP

18 PIN HSOP TO DIP



### AK18D300-QSOP

18 PIN QSOP & SSOP TO DIP



### AK18D300-SOJ-64KX4

(for 64K X 4 DRAMs)

