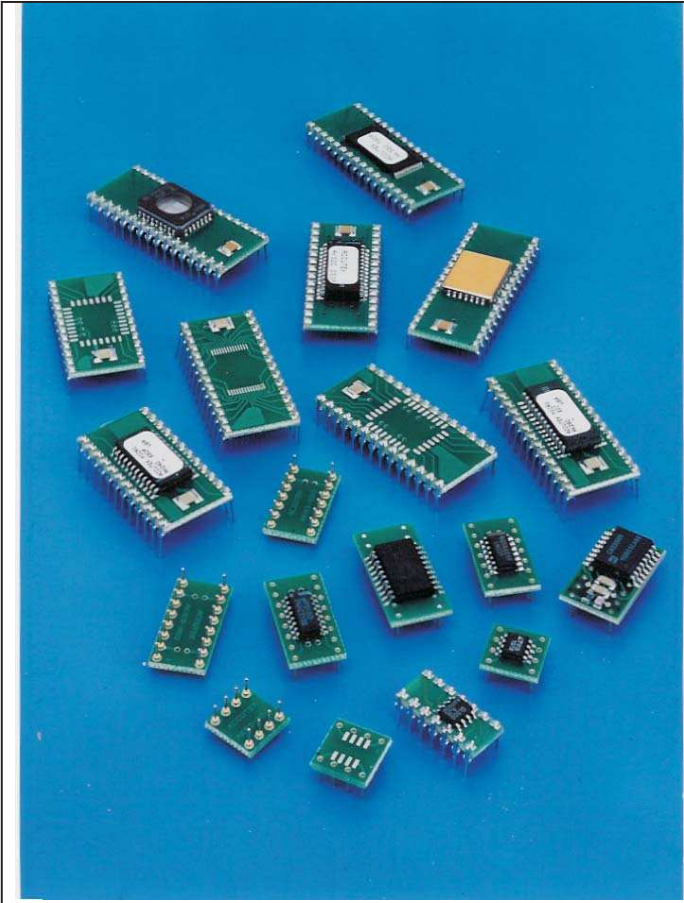


8 Pin DIP Adapters

DIP ADAPTER MODULES ELIMINATE THE NEED TO REDESIGN MOTHERBOARDS OR MAY BE USED FOR BREADBOARD PROTOTYPING



This new family of Accutek DIP Adapter Modules converts surface mount IC's to pin compatible DIP packages for creating drop-in replacements for end-of-life DIP IC's. Package types supported are: SOJ, PLCC, SOIC, SOP, TSOP, QSOP, HSOP, MSOP, LLP (Leadless Leadframe Package), CSP (Chip Scale Package) and CLCC.

These DIP Adapters were developed for users with motherboard designs that require DIP's, now obsolete by manufacturers. These adapter modules save costly motherboard redesigns.

Available with machined or flat contact pins. Accutek DIP Adapter Modules feature 4 to 84 pins, are fully assembled and tested and may include a decoupling capacitor. These DIP Adapters can be manufactured turnkey or from customer supplied surface mount chips. Modules range in length from 0.200" to 4.200" depending on number of pins and incorporate 0.300", 0.400", 0.600", 0.900", 1.200" and 1.400" row-to-row spacing with 0.100" lead spacing.

Custom configurations up to 200 pins, multi-chip and double sided modules are also available for special functions. A variety of pin lengths with varying diameters as well as custom sizes and spacing can be specified with different materials and finishes. All modules are designed in-house using PCB CAD workstations. Automated assembly and 100% testing are also performed in-house.

FEATURES

- Saves costly redesign of current motherboards
- Fully tested with lifetime limited warranty
- May include an on board decoupling capacitor
- IC assembly and testing available
- EPROM and Flash programming available
- Custom lead lengths available
- Custom multi-chip and double-sided modules available

ORDERING OPTIONS

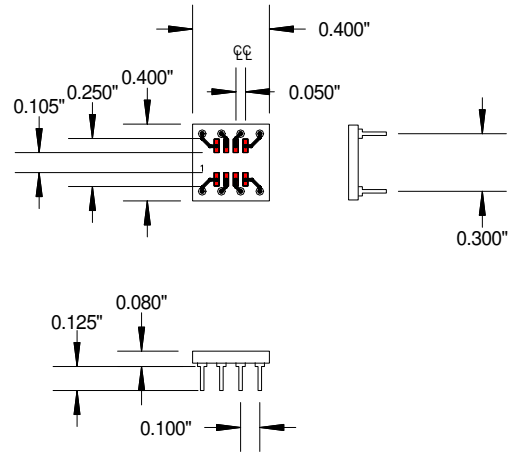
- Adapter only
- Customer supplies chips - Accutek assembles on Accutek adapters, tests and delivers finished product in antistatic tubes.
- Complete turnkey - Accutek purchases IC's and passives. Then assembles, tests and delivers finished product in antistatic tubes.

We can assemble your chips on to our adapter boards. Fully automated assembly and test at our Newburyport, Massachusetts facility.

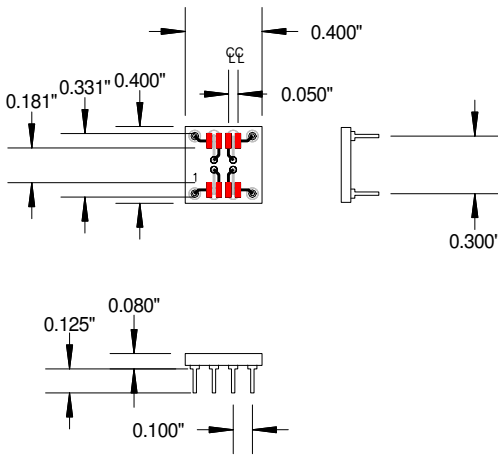


No job is too large or too small.

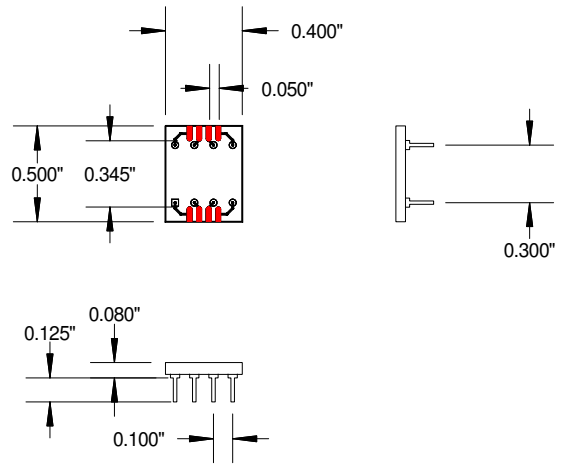
AK08D300-NSO
8 PIN 150mil SOIC TO DIP



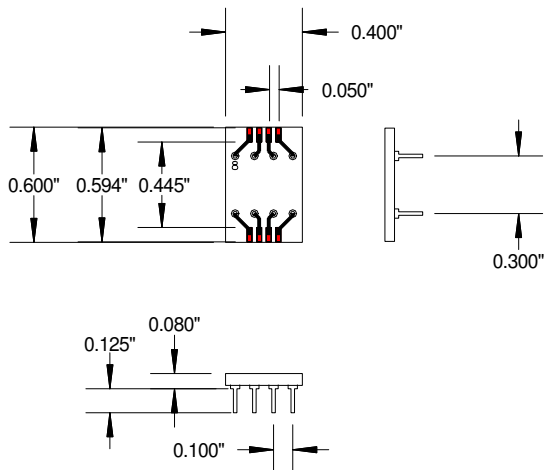
AK08D300-SOIC200
8 PIN 200mil SOIC TO DIP



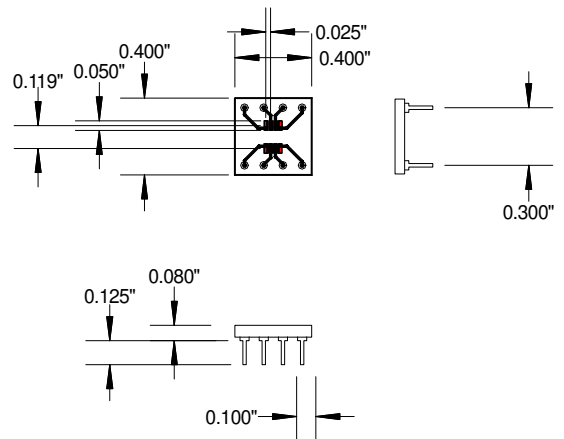
AK08D300-WSO
8 PIN WIDE SOIC TO DIP



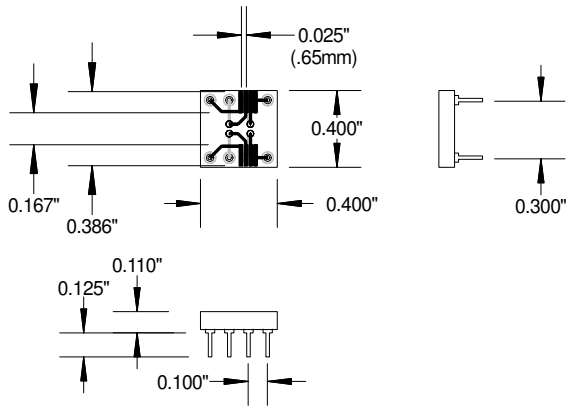
AK08D300-HSOP
8 PIN HSOP TO DIP



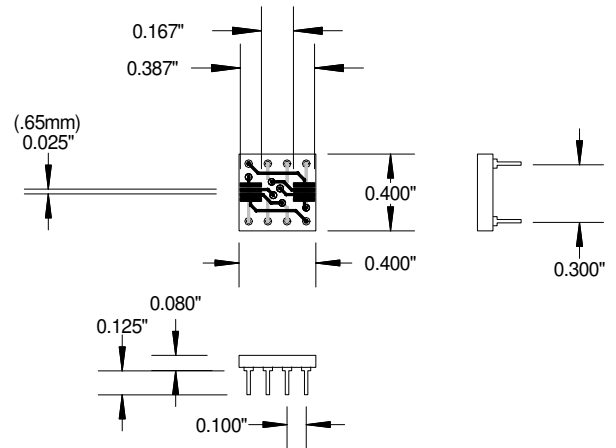
AK08D300-SOT
8 PIN SOT TO DIP



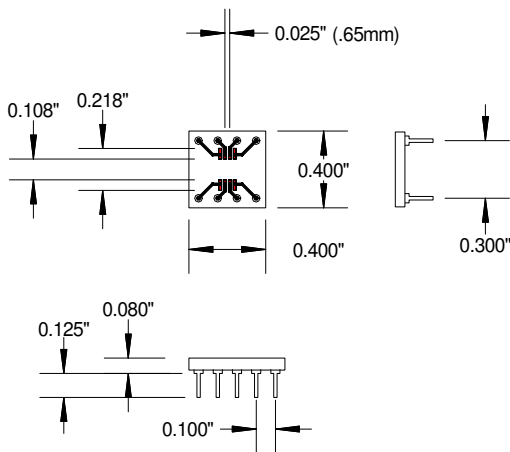
AK08D300-QSOP
8 PIN QSOP & SSOP TO DIP



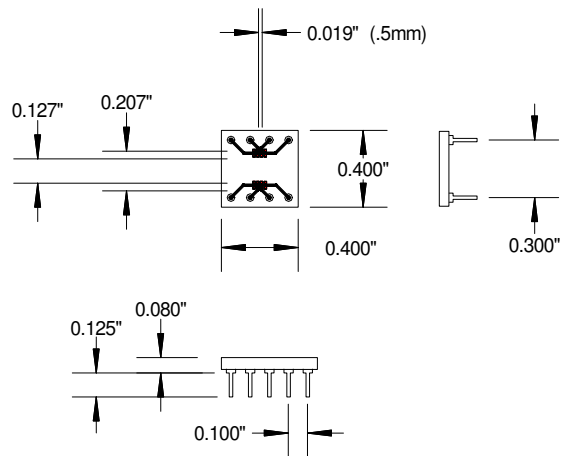
AK08D300-TSOP
8 PIN TSOP & SSOP TO DIP



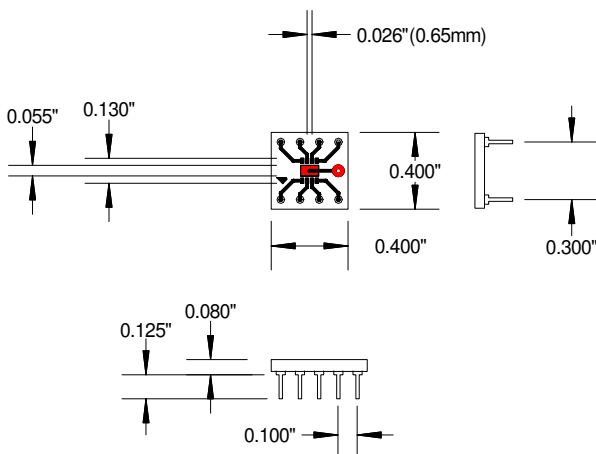
AK08D300-MSOP.65
8 PIN .65MM PITCH MSOP(micro-soic) TO DIP



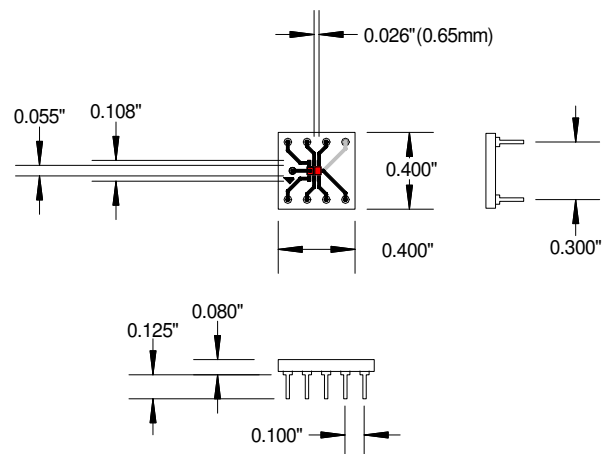
AK08D300-MSOP.5
8 PIN .5MM PITCH MSOP(micro-soic) TO DIP



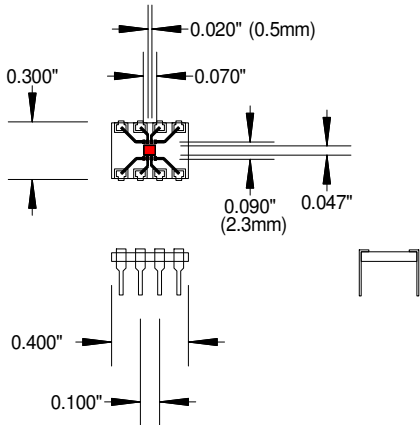
AK08D300-MLP
8 PIN .65MM PITCH MLP(micro-leadless package) TO DIP



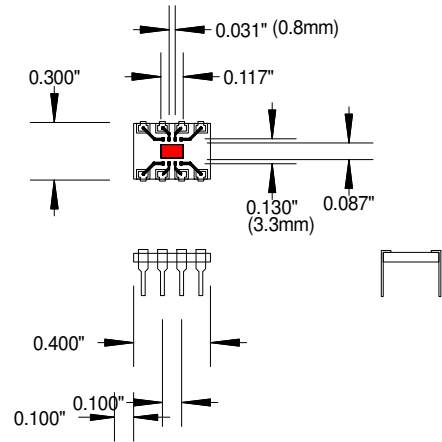
AK08D300-06MLPDUAL
6 PIN .65MM PITCH MLP WITH DUAL HEAT SINK PADS
(micro-leadless package) TO 8 PIN DIP



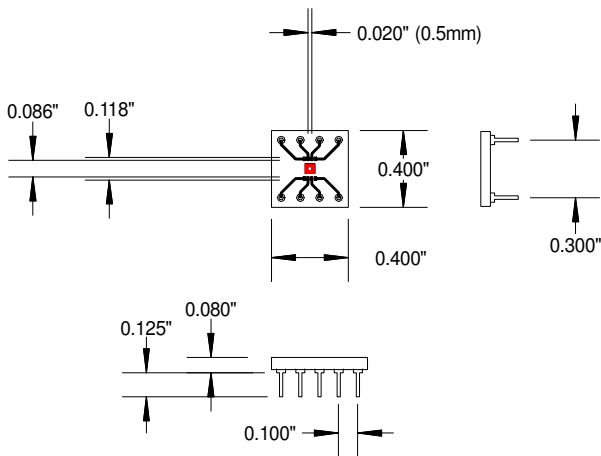
AK08D300-LLP3X3
LEADLESS LEADFRAME PACKAGE (3 X 3)
TO 8 PIN DIP



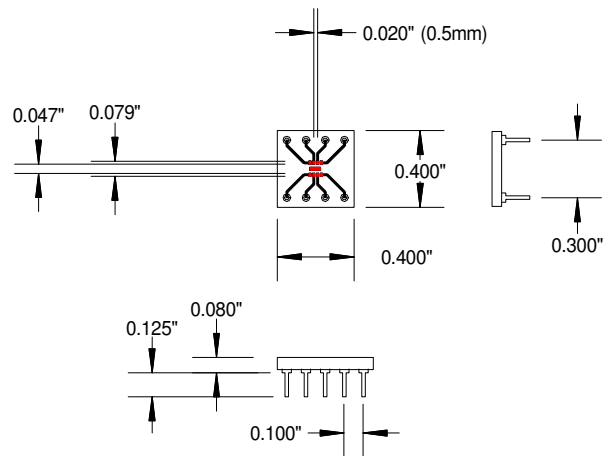
AK08D300-LLP4X4
LEADLESS LEADFRAME PACKAGE (4 X 4)
TO 8 PIN DIP



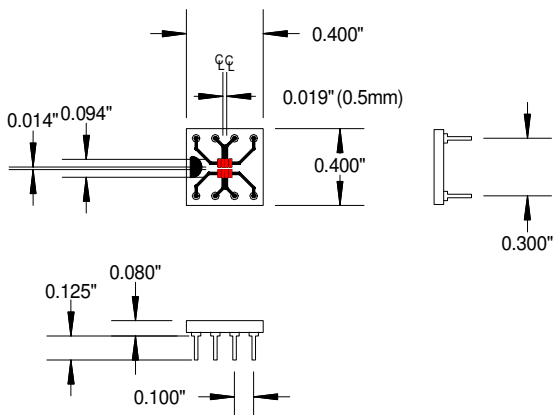
AK08D300-LFCSP3x3 .5mm
8 PIN 0.5MM PITCH LFCSP3x3 TO DIP



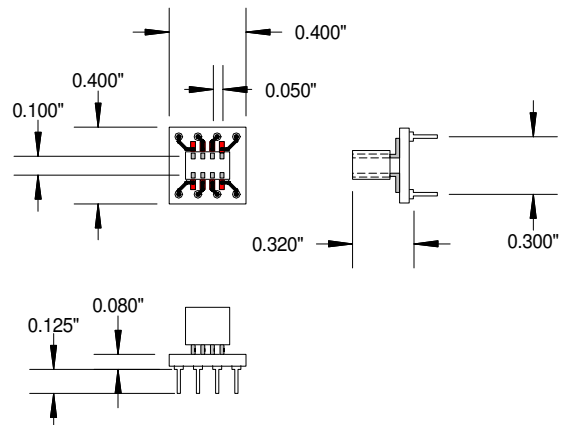
AK08D300-LFCSP2x3 .5mm
8 PIN 0.5MM PITCH LFCSP2x3 TO DIP



AK08D300-XSON .5mm
8 PIN .5mm XSON TO DIP

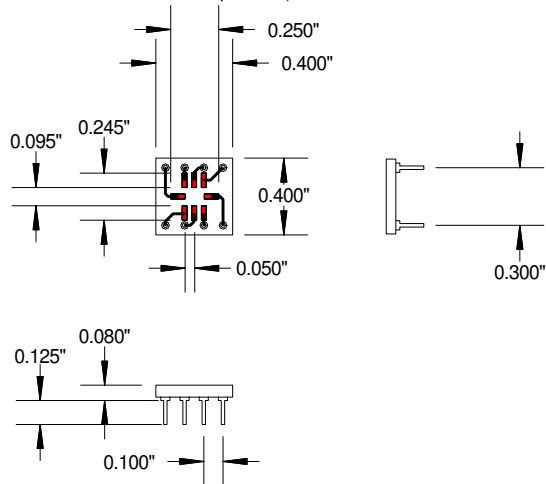


AK08DS300-SOSPA
8 PIN PROGRAMMING ADAPTER
FOR EEPROM SOIC ADAPTER
SOCKET AK08SOIC-ST



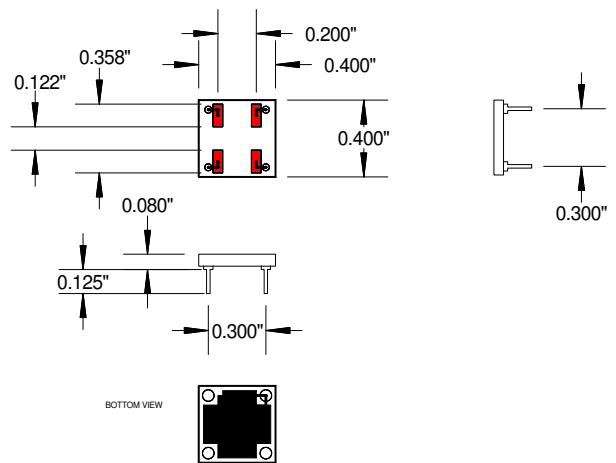
AK08D300-CLCC

8 PIN CLCC TO DIP
(CLCC=ceramic leadless chip carrier)



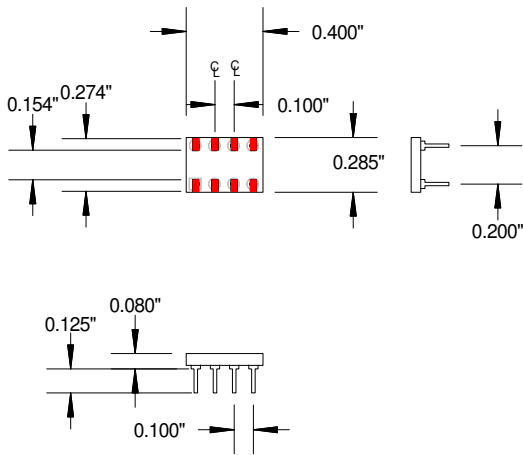
AK08D300-XTAL-04SOJ

4 PIN SOJ CRYSTAL TO 4 PIN (8 PIN HALF SIZE) DIP



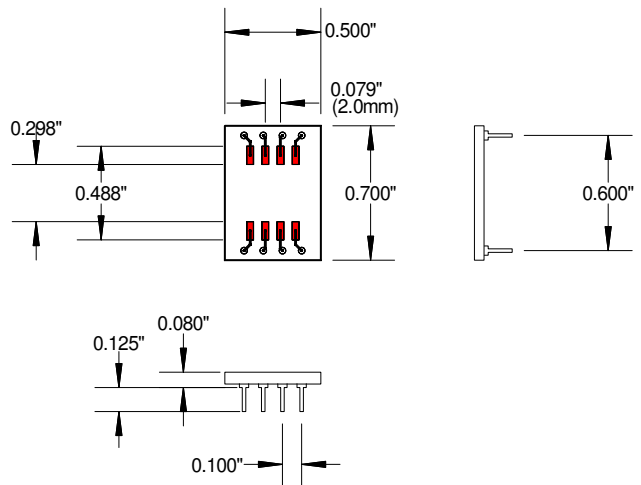
AK08D200-RELAY

8 PIN SURFACE MOUNT RELAY TO 0.200" DIP



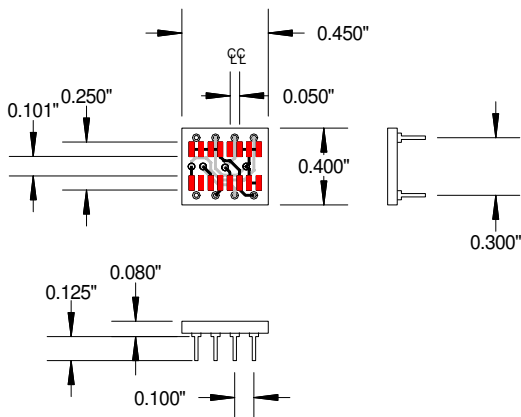
AK08D600-XF2.0mm

8 PIN 2.0mm PITCH TRANSFORMER TO 0.600" DIP



AK08D300-16SOIC150

16 PIN 150 SOIC TO 8 PIN DIP



AK08D300-16SOIC300

16 PIN 300 SOIC TO 8 PIN DIP

