

**Crystal Oscillators
in Surface Mount Packages
Converted to DIP Adapters**

**CRYSTAL OSCILLATOR
ADAPTER MODULES
ELIMINATE THE
NEED TO
REDESIGN
MOTHERBOARDS
OR MAY BE USED
FOR
BREADBOARD
PROTOTYPING**

DESCRIPTION

This new family of Accutek DIP Adapter Modules convert surface mount Crystal Oscillators to pin compatible DIP packages for creating drop-in replacements for end-of-life DIP Crystal Oscillators.

Crystal Oscillator Adapters were developed for users with motherboard designs that require DIP's, now obsoleted by manufacturers. These adapter modules save costly motherboard redesigns.

Available with machined or flat contact pins. Accutek Crystal Oscillator Adapter Modules feature 4 to 14 pins and are fully assembled and tested. These Crystal Oscillator Adapters can be manufactured turnkey or from customer supplied surface mount chips. Some of the designs include a site for a bypass capacitor.

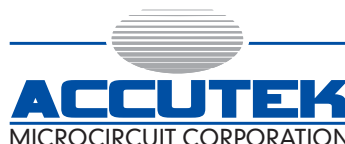
Custom configurations up to 200 pins, multi-chip and double sided modules are also available for special functions. A variety of pin lengths with varying diameters as well as custom sizes and spacing can be specified with different materials and finishes. All modules are designed in-house using PCB CAD workstations. Assembly and 100% testing are also performed in-house.

FEATURES

- Saves costly redesign of current motherboards
- Fully tested with life time limited warranty
- IC assembly and testing available
- Custom lead lengths available
- Custom multi-chip and double-sided modules available

ORDERING OPTIONS

- Adapter only
- Customer supplies chips - Accutek assembles on Accutek adapters, tests and delivers finished product in antistatic tubes.
- Complete turnkey - Accutek purchases IC's. Then assembles, tests and delivers finished product in antistatic tubes.



5 NEW PASTURE ROAD
NEWBURYPORT, MA 01950-4040
PHONE: 978-465-6200 FAX: 978-462-3396
Email: sales@accutekmicro.com
Internet: www.accutekmicro.com

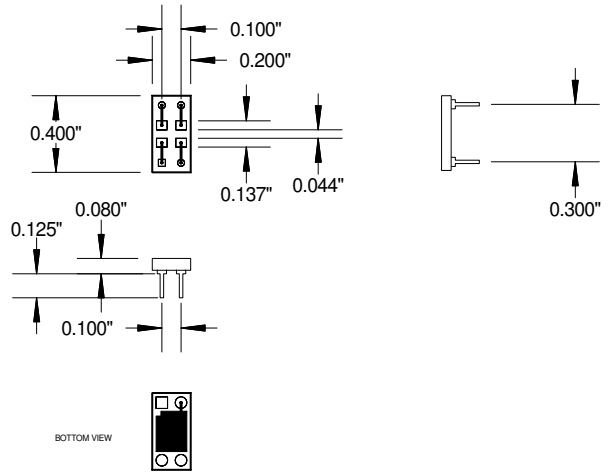
We can assemble your chips on to our adapter boards. Fully automated assembly and test at our Newburyport, Massachusetts facility.



No job to large or small.

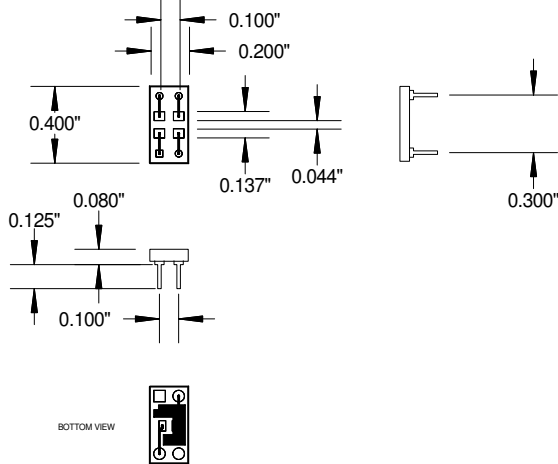
AK04D300-XTAL-04CLCC

4 PIN CLCC CRYSTAL TO DIP
(CLCC=ceramic leadless chip carrier)



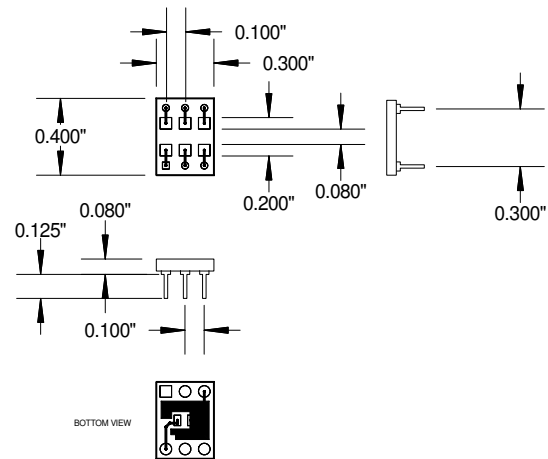
AK04D300-XTAL-04CLCC-BY

4 PIN CLCC CRYSTAL TO DIP WITH SITE FOR BYPASS CAPACITOR
(CLCC=ceramic leadless chip carrier)



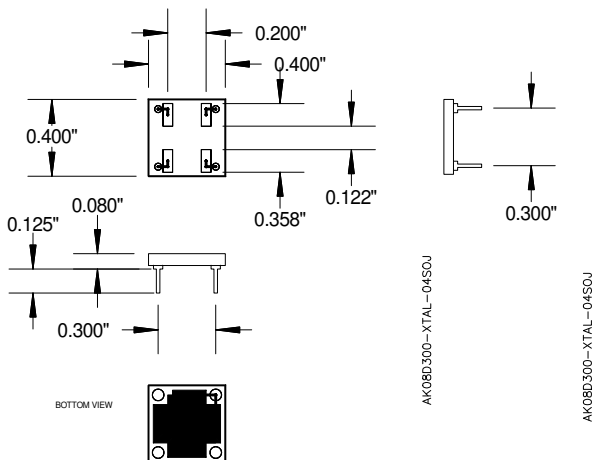
AK06D300-XTAL-06CLCC-BY

6 PIN CLCC CRYSTAL TO DIP WITH SITE FOR BYPASS CAPACITOR
(CLCC=ceramic leadless chip carrier)



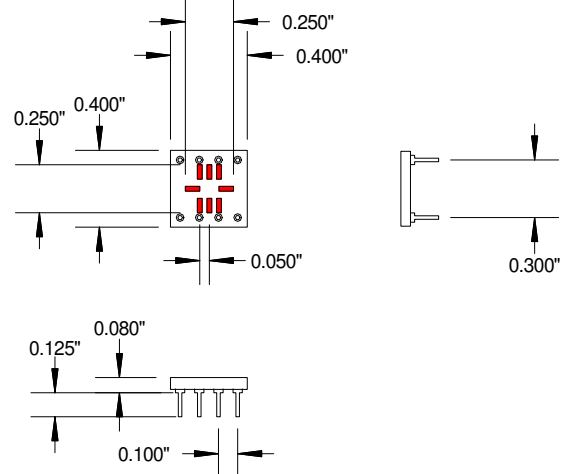
AK08D300-XTAL-04SOJ

4 PIN SOJ CRYSTAL TO 4 PIN (8 PIN HALF SIZE) DIP

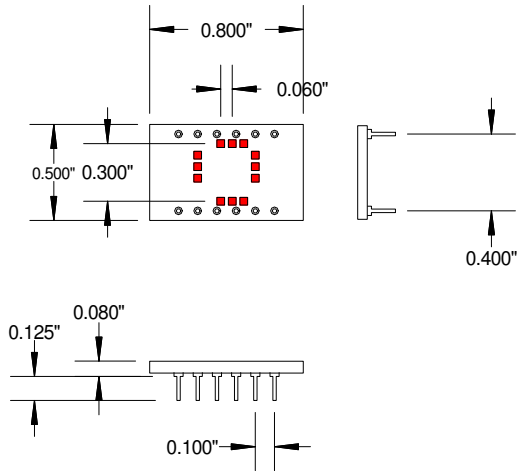


AK08D300-CLCC

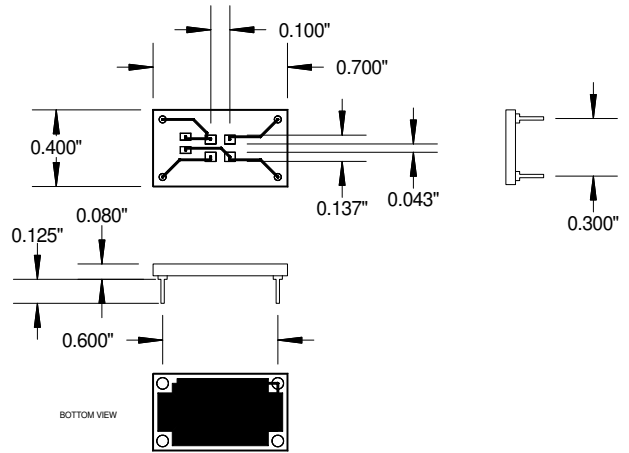
8 PIN CLCC TO DIP
(CLCC=ceramic leadless chip carrier)



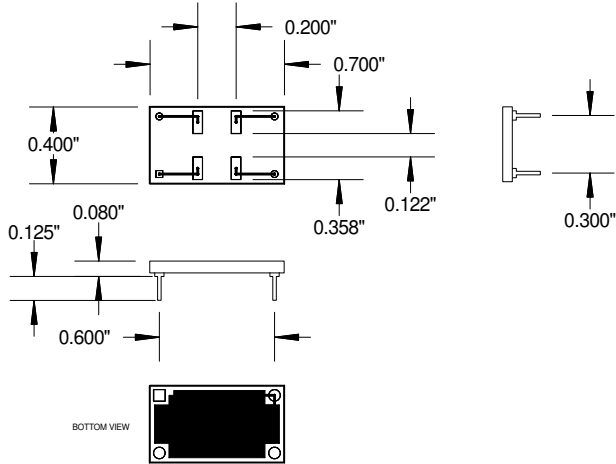
AK12D400-VCO
12 PIN VCO TO DIP



AK14D300-XTAL-04CLCC-BY
4 PIN CLCC CRYSTAL TO 4 PIN (14 PIN FULL SIZE) DIP
WITH SITE FOR BYPASS CAPACITOR



AK14D300-XTAL-04SOJ
4 PIN SOJ CRYSTAL TO 4 PIN (14 PIN FULL SIZE) DIP



AK14D300-XTAL-04SOJ-BY
4 PIN SOJ CRYSTAL TO 4 PIN (14 PIN FULL SIZE) DIP
WITH SITE FOR BYPASS CAPACITOR

