

## Chip Scale Packages LLP, DFN, QFN MLP, CLCC DIP Adapters

# DIP ADAPTER MODULES ELIMINATE THE NEED TO REDESIGN MOTHERBOARDS OR MAY BE USED FOR BREADBOARD PROTOTYPING

### Description

This new family of Accutek DIP Adapter Modules converts surface mount IC's to pin compatible DIP packages for creating drop-in replacements for end-of-life DIP IC's. Package types supported are: LLP (Leadless Leadframe Package), DFN, QFN, MLP and CLCC.

These DIP Adapters were developed for users with motherboard designs that require DIP's, now obsolete by manufacturers. These adapter modules save costly motherboard redesigns.

Available with machined or flat contact pins. Accutek DIP Adapter Modules feature 8 to 72 pins, are fully assembled and tested and may include a decoupling capacitor. These DIP Adapters can be manufactured turnkey or from customer supplied surface mount chips. Modules range in length from 0.400" to 3.600" depending on number of pins and incorporate 0.300", 0.400", 0.600", and 0.900", row-to-row spacing with 0.100" lead spacing.

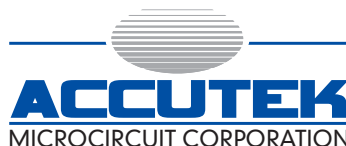
Custom configurations up to 200 pins, multi-chip and double sided modules are also available for special functions. A variety of pin lengths with varying diameters as well as custom sizes and spacing can be specified with different materials and finishes. All modules are designed in-house using PCB CAD workstations. Automated assembly and 100% testing are also performed in-house.

### FEATURES

- Saves costly redesign of current motherboards
- Fully tested with lifetime limited warranty
- May include an on board decoupling capacitor
- IC assembly and testing available
- EPROM and Flash programming available
- Custom lead lengths available
- Custom multi-chip and double-sided modules available

### ORDERING OPTIONS

- Adapter only
- Customer supplies chips - Accutek assembles on Accutek adapters, tests and delivers finished product in antistatic tubes.
- Complete turnkey - Accutek purchases IC's and passives. Then assembles, tests and delivers finished product in antistatic tubes.



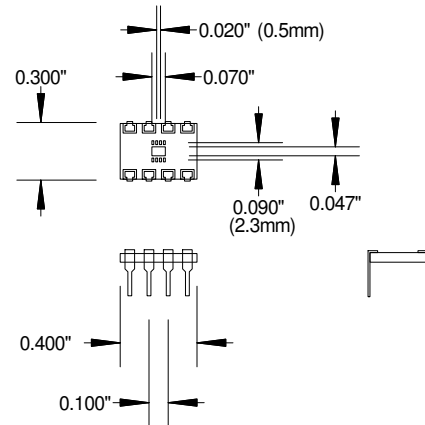
5 NEW PASTURE ROAD  
NEWBURYPORT, MA 01950-4040  
PHONE: 978-465-6200 FAX: 978-462-3396  
Email: sales@accutekmicro.com  
Internet: www.accutekmicro.com

We can assemble your chips on to our adapter boards. Fully automated assembly and test at our Newburyport, Massachusetts facility.

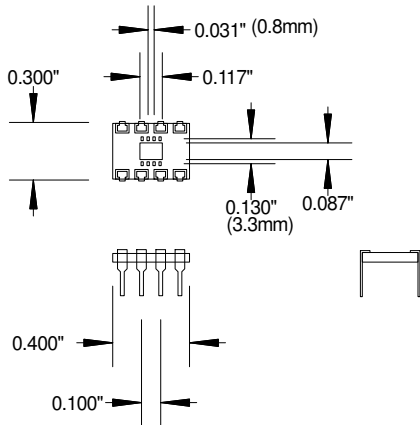


No job to large or small.

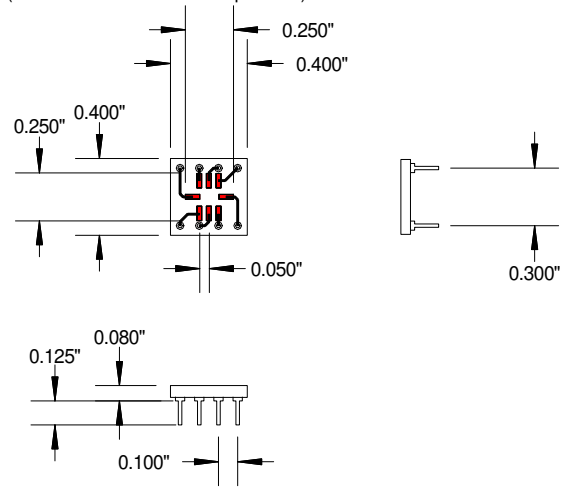
**AK08D300-LLP3X3**  
LEADLESS LEADFRAME PACKAGE (3 X 3)  
TO 8 PIN DIP



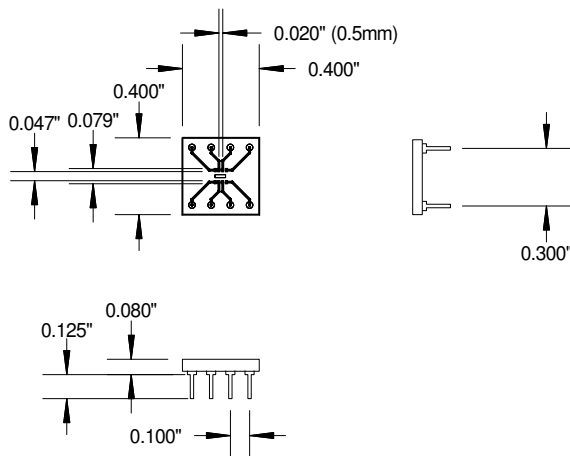
**AK08D300-LLP4X4**  
LEADLESS LEADFRAME PACKAGE (4 X 4)  
TO 8 PIN DIP



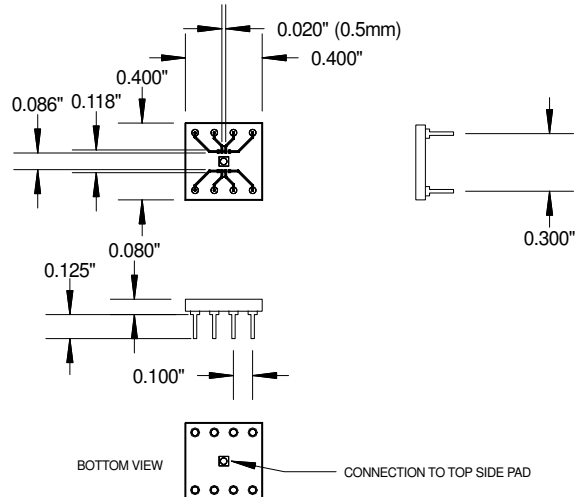
**AK08D300-CLCC**  
8 PIN CLCC TO DIP  
(CLCC=ceramic leadless chip carrier)



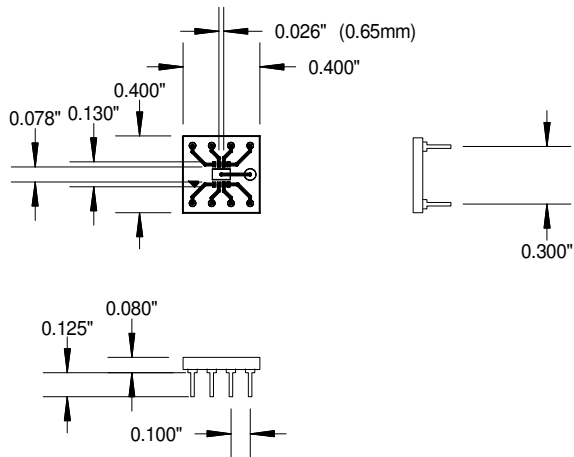
**AK08D300-LFCSP2x3 .5MM**  
8 PIN 2mm x3mm LFCSP 0.5mm PITCH TO 0.300\"/>



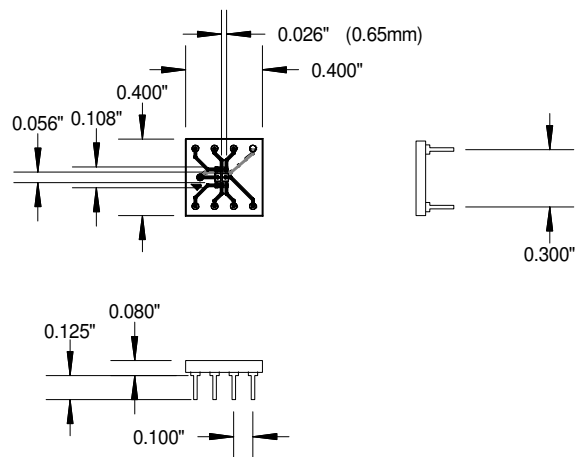
**AK08D300-LFCSP3x3 .5MM**  
8 PIN 3mm LFCSP 0.5mm PITCH TO 0.300\"/>



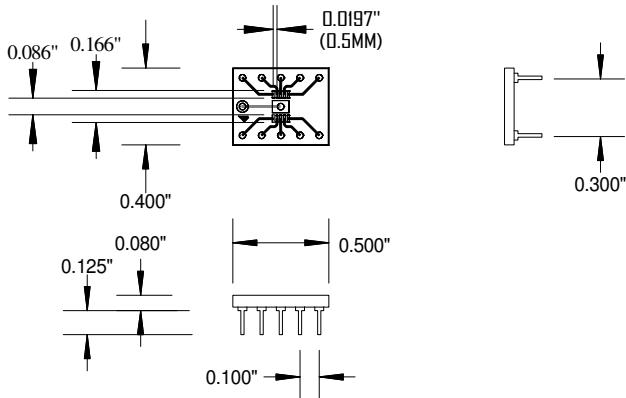
**AK08D300-MLP.65MM**  
8 PIN MLP 0.65mm PITCH TO 0.300" DIP



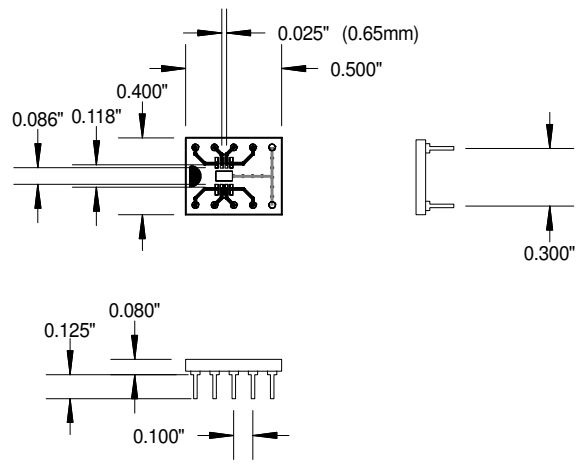
**AK08D300-6MLP DUAL.65MM**  
6 PIN MLP DUAL PAD 0.65mm PITCH TO 8 PIN 0.300" DIP



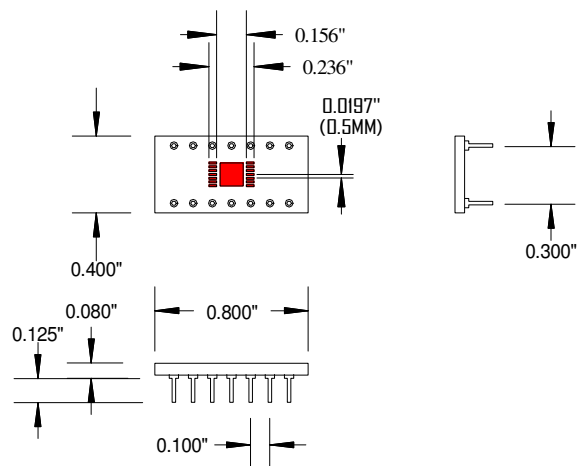
**AK10D300-LLP3X3**  
LEADLESS LEADFRAME PACKAGE(3X3)  
TO 10 PIN DIP



**AK10D300-8SON .65MM**  
8 PIN SON 0.65mm PITCH TO 10 PIN 0.300" DIP

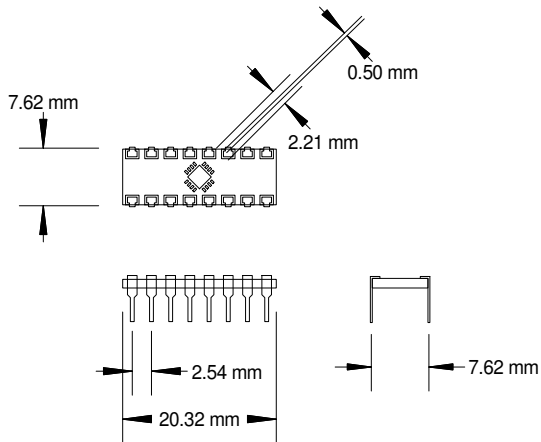


**AK14D300-DFN5X5**  
LLP-DFN PACKAGE(5X5)  
TO 14 PIN DIP



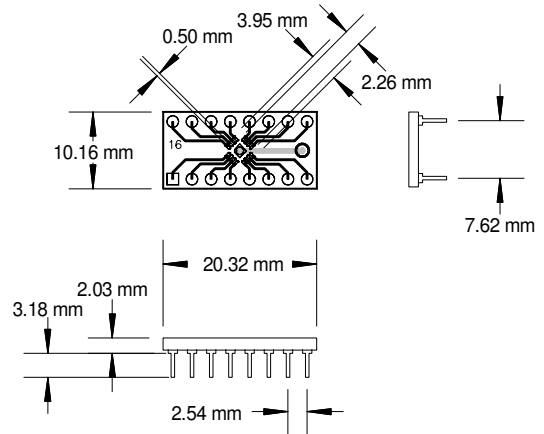
### AK16D300-LLP4X4

LEADLESS LEADFRAME PACKAGE (4 X 4)  
TO 16 PIN DIP



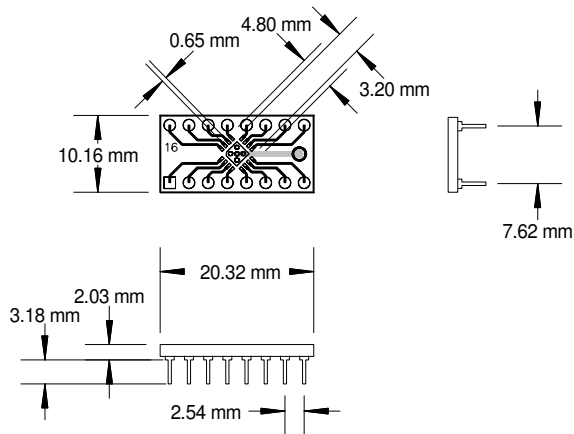
### AK16D300-QFN/MLP 3X3

3MM-16 PIN QFN/MLP 0.5MM PITCH TO DIP



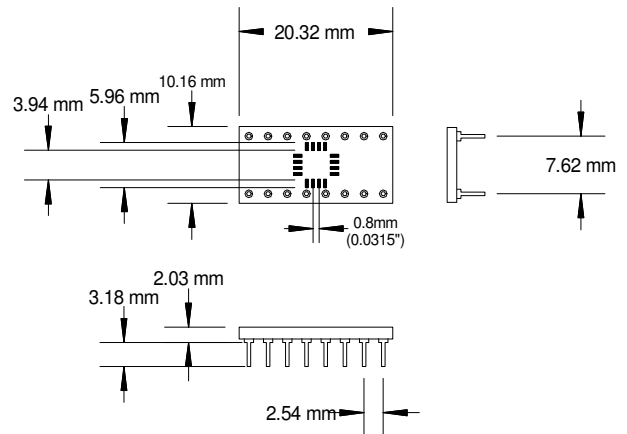
### AK16D300-QFN/MLP 4X4

4MM-16 PIN QFN/MLP 0.65MM PITCH TO 16 PIN DIP



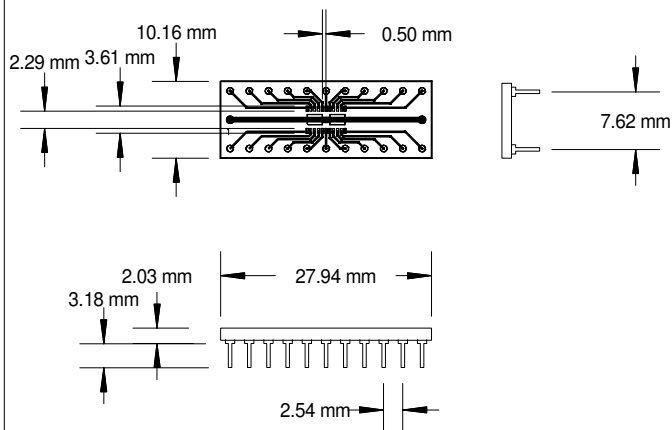
### AK16D300-QFN5X5

16 PIN QUAD FLAT NO-LEAD PACKAGE 0.8mm PITCH TO DIP



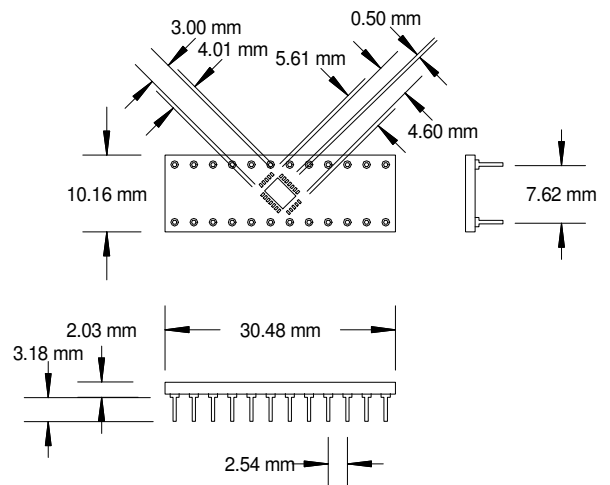
### AK22D300-DFN

22 PIN DFN 0.65MM PITCH TO DIP

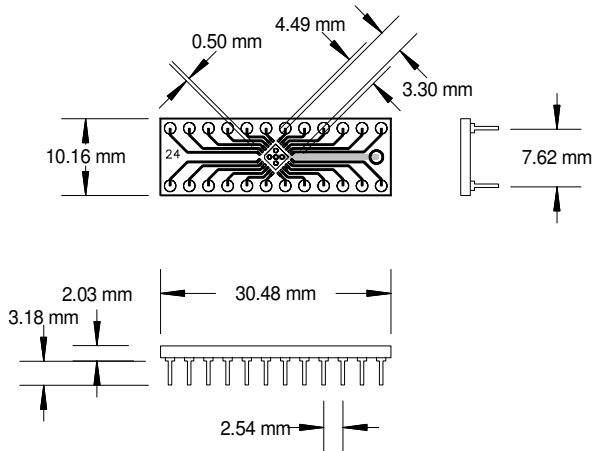


### AK24D300-LLP

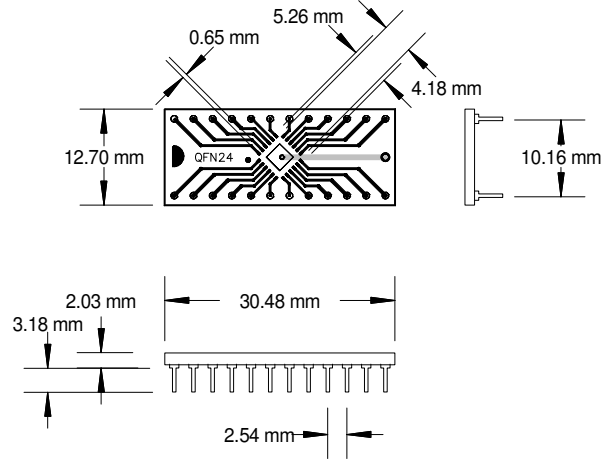
LEADLESS LEADFRAME PACKAGE (5 X 4)  
TO 24 PIN DIP



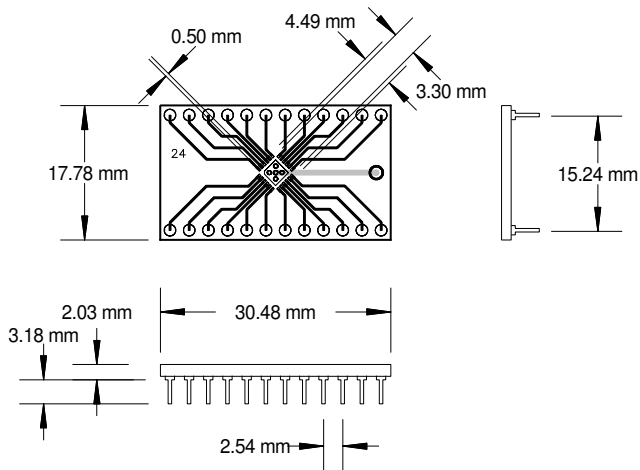
**AK24D300-QFN/MLP 4X4**  
4MM-24 PIN QFN/MLP 0.5MM PITCH TO 0.300" DIP



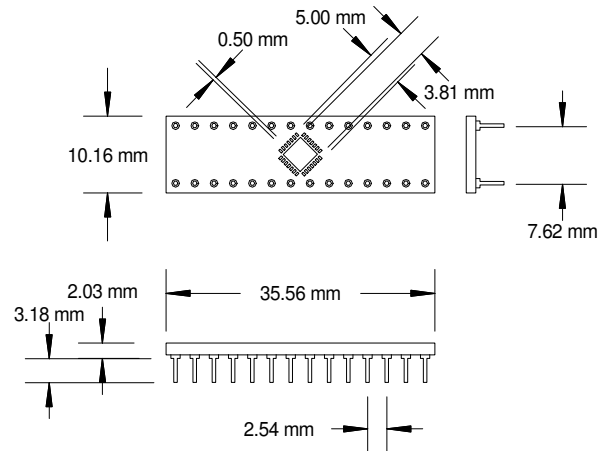
**AK24D400-QFN/MLP 5X5**  
5MM-24 PIN QFN/MLP 0.65MM PITCH TO 0.400" DIP



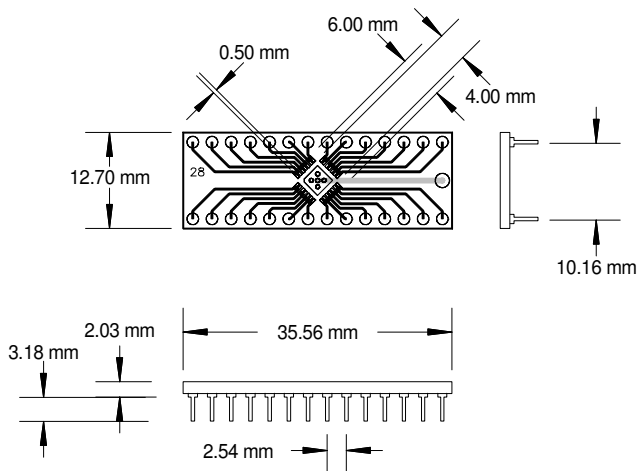
**AK24D600-QFN/MLP 4X4**  
4MM-24 PIN QFN/MLP 0.5MM PITCH TO 0.600" DIP



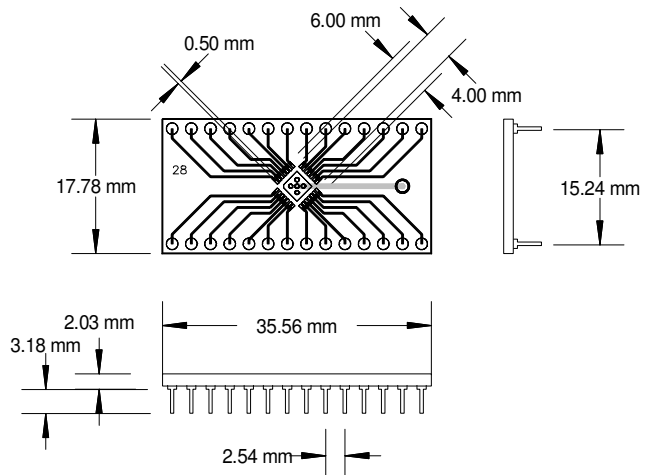
**AK28D300-LLP**  
LEADLESS LEADFRAME PACKAGE (5 X 5)  
TO 28 PIN 0.300" DIP



**AK28D400-QFN/MLP 5X5**  
5MM-28 PIN QFN/MLP 0.5MM PITCH TO 0.400" DIP

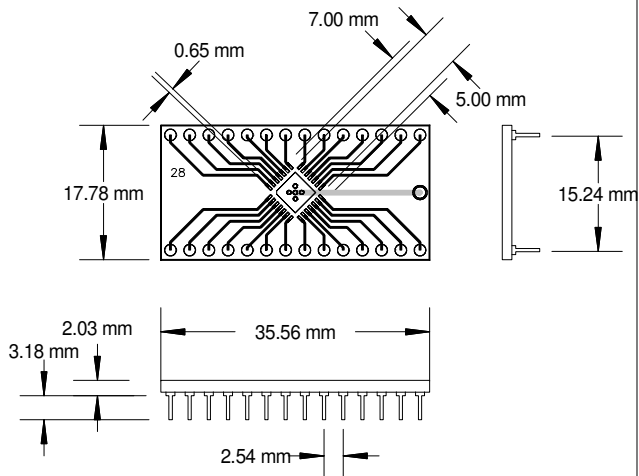


**AK28D600-QFN/MLP 5X5**  
5MM-28 PIN QFN/MLP 0.5MM PITCH TO 0.600" DIP



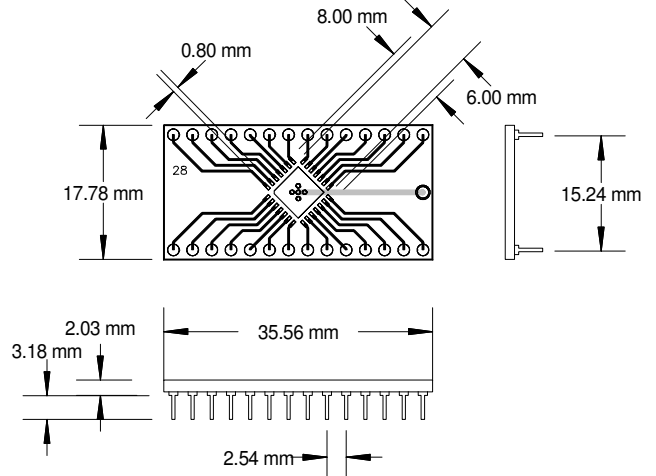
### AK28D600-QFN/MLP 6X6

6MM-28 PIN QFN/MLP 0.65MM PITCH TO 0.600" DIP



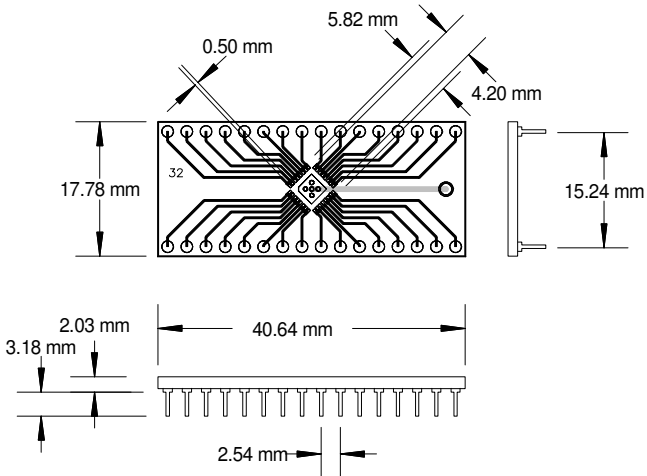
### AK28D600-QFN/MLP 7X7

7MM-28 PIN QFN/MLP 0.8MM PITCH TO 0.600" DIP



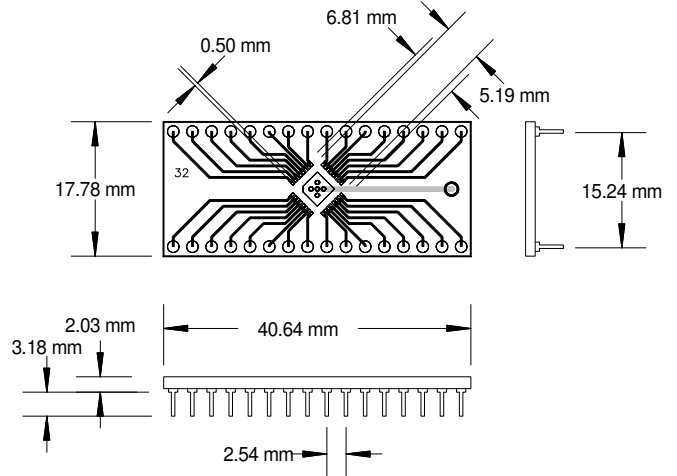
### AK32D600-QFN/MLP 5X5

5MM-32 PIN QFN/MLP 0.5MM PITCH TO 0.600" DIP



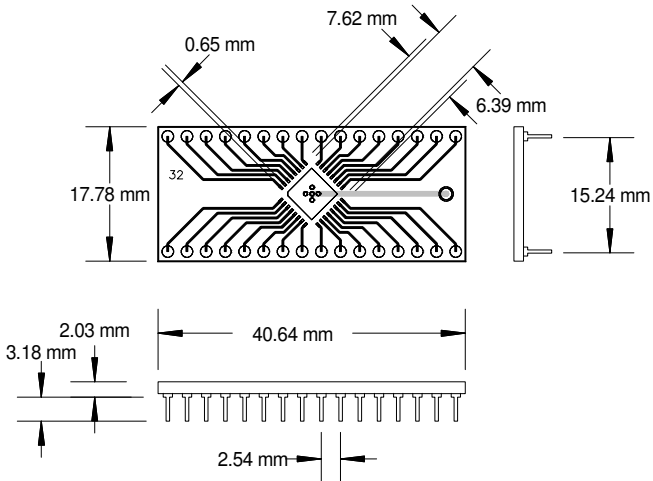
### AK32D600-QFN/MLP 6X6

6MM-32 PIN QFN/MLP 0.5MM PITCH TO 0.600" DIP



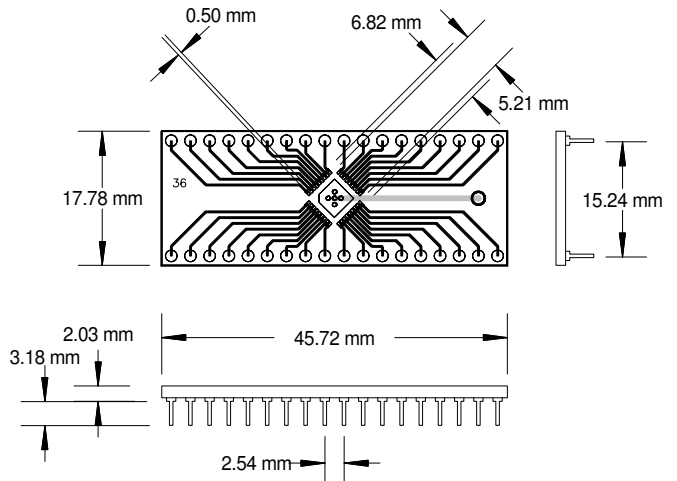
### AK32D600-QFN/MLP 7X7

7MM-32 PIN QFN/MLP 0.65MM PITCH TO 0.600" DIP

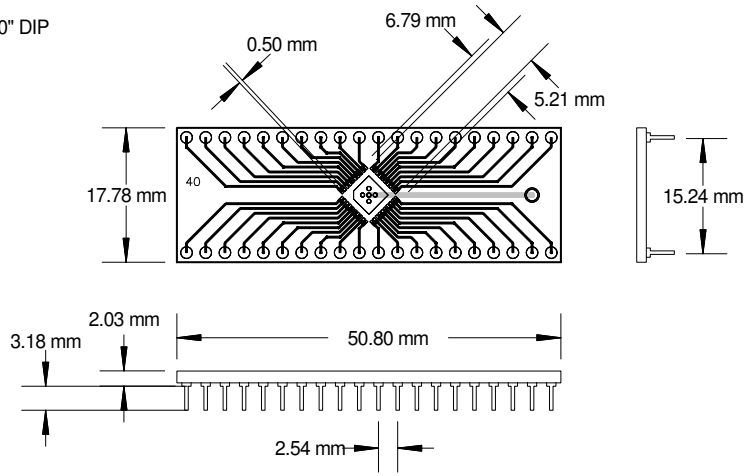


### AK36D600-QFN/MLP 6X6

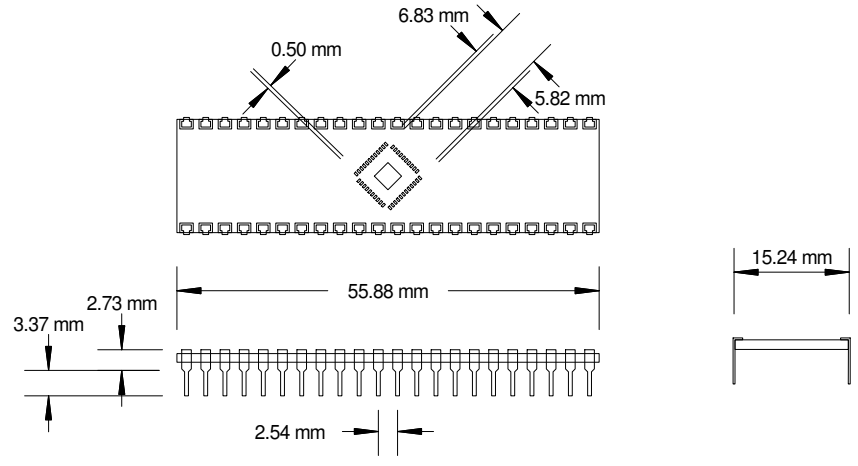
6MM-36 PIN QFN/MLP 0.5MM PITCH TO 0.600" DIP



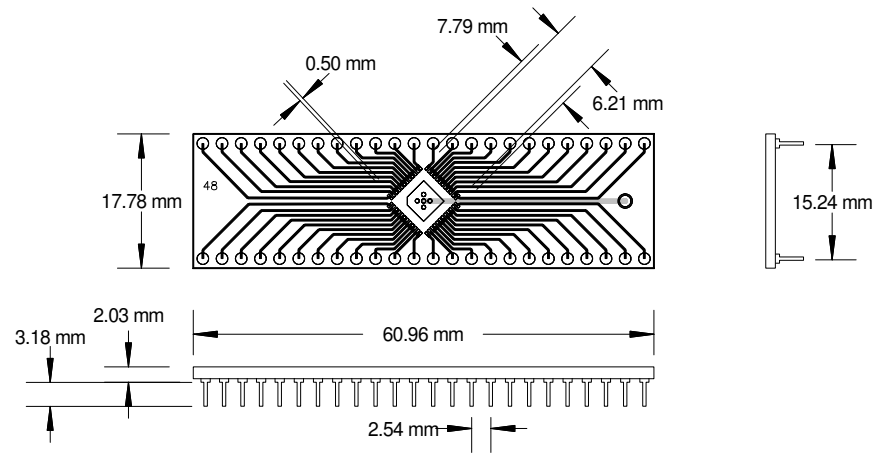
**AK40D600-QFN/MLP 6X6**  
 6MM-40 PIN QFN/MLP 0.5MM PITCH TO 0.600" DIP



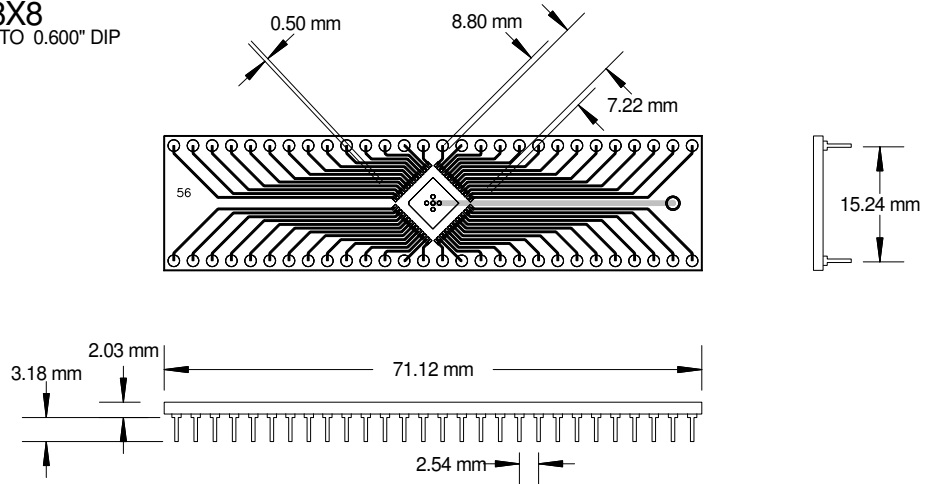
**AK44D600-LLP**  
 LEADLESS LEADFRAME PACKAGE  
 (7 X 7mm) (10pin x 12pin)  
 TO 44 PIN 0.600" DIP



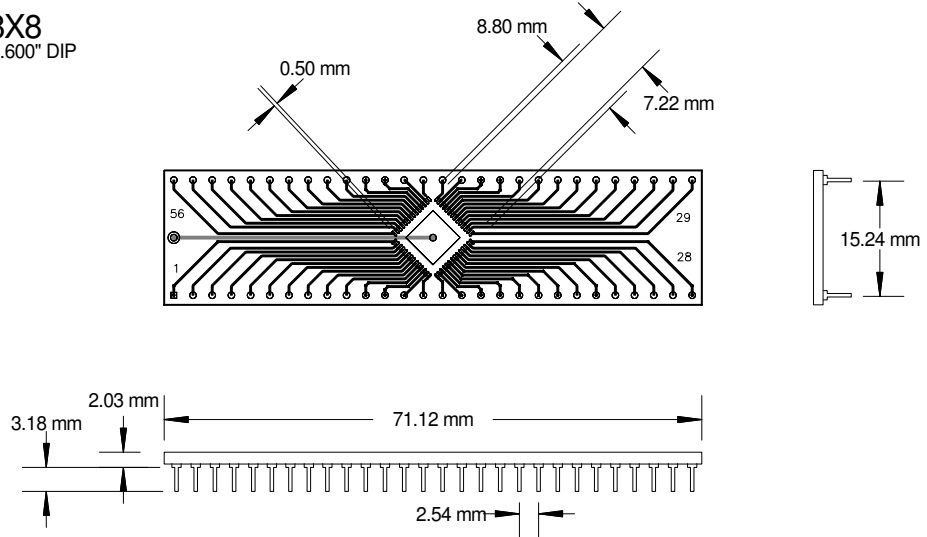
**AK48D600-QFN/MLP 7X7**  
 7MM-48 PIN QFN/MLP 0.5MM PITCH TO 0.600" DIP



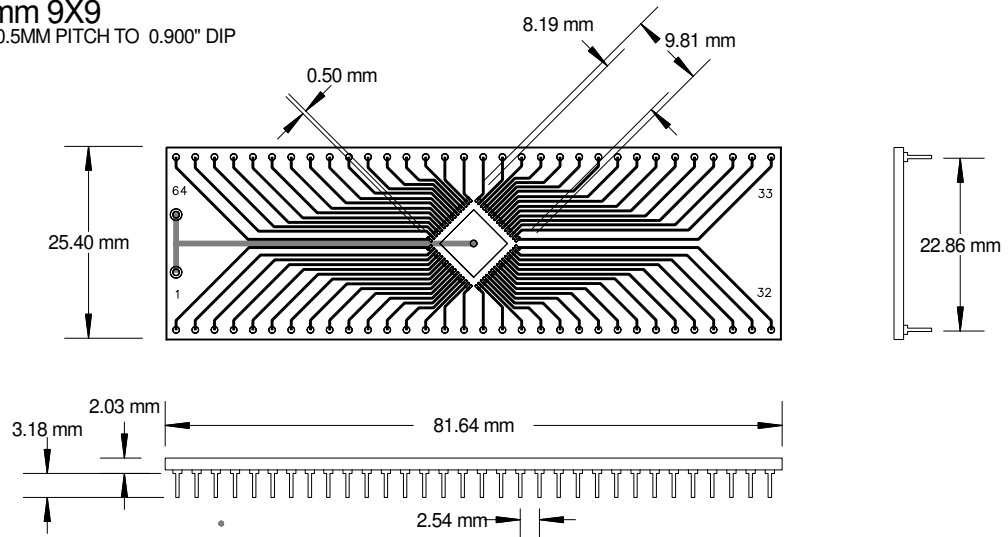
**AK56D600-QFN/MLP 8X8**  
 8MM-56 PIN QFN/MLP 0.5MM PITCH TO 0.600" DIP



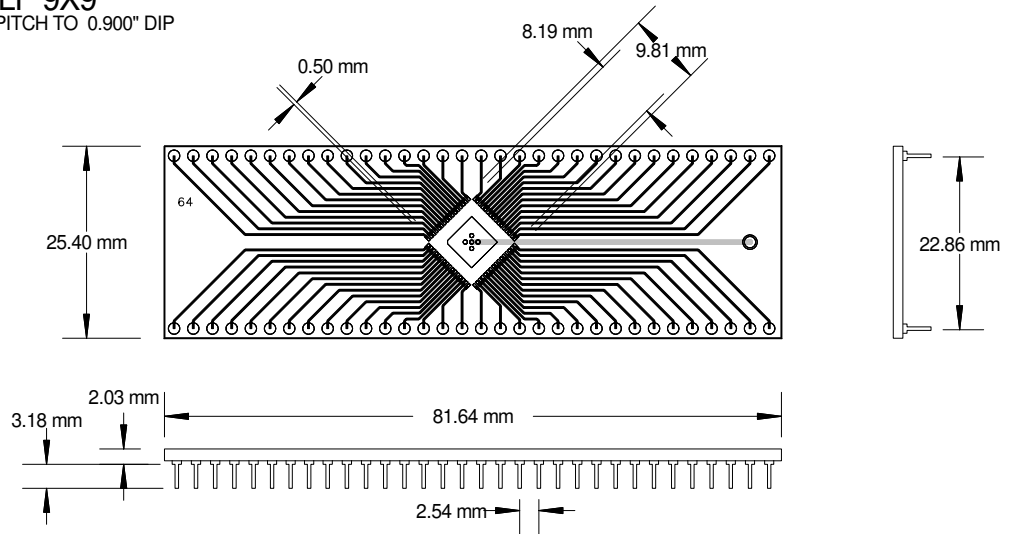
**AK56D600-MLF.5mm 8X8**  
 8MM-56 PIN MLF 0.5MM PITCH TO 0.600" DIP



**AK64D900-LGA.5mm 9X9**  
 9MM-64 PIN 9mm x 9mm LGA 0.5MM PITCH TO 0.900" DIP



**AK64D900-QFN/MLP 9X9**  
9MM-64 PIN QFN/MLP 0.5MM PITCH TO 0.900" DIP



**AK72D900-QFN/MLP 10X10**  
10MM-72 PIN QFN/MLP 0.5MM PITCH TO 0.900" DIP

