

AK5361024W

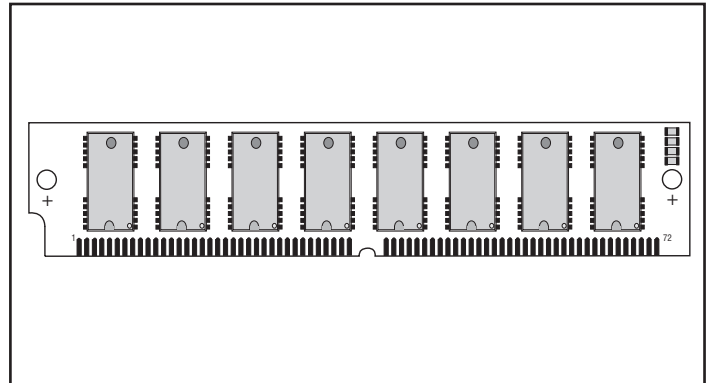
1,048,576 Word by 36 Bit CMOS Dynamic Random Access Memory

DESCRIPTION

The Accutek AK5361024W high density memory module is a CMOS Dynamic RAM organized in 1024K x 36 bit words. The module consists of eight standard 1 Meg x 4 DRAMs in plastic SOJ packages mounted on the front side of a printed circuit board and four 1 Meg x 1 DRAMs in plastic SOJ packages mounted on the back side of a printed circuit board with a low profile height of only 0.875 inch in a 72 pin leadless SIM configuration.

This configuration allows socket-mounting of large quantities of memory in applications where high density and ease of inserting additional memory are important.

The operation of the AK5361024W is identical to eight 1 Meg x 4 plus four 1 Meg x 1 DRAMs. There are four CAS lines and two RAS lines. Independent byte control is accomplished by four CAS lines. Each separate CAS line controls two 1Meg x 4 DRAMs, along with a 1 Meg x 1 DRAM with data in tied to data out to form a 9 bit byte. The bank of 36 bits is controlled by the two RAS lines. An eighteen bit data path can be produced by connecting DQ₀ to DQ₁₈, DQ₁ to DQ₁₉, etc. and alternately strobing RAS₀ with RAS₂.



FEATURES

- 1,048,576 x 36 bit organization
- Low profile board height of 0.875 inch
- 72 pad Single In-Line Module
- Multiple CAS and RAS lines allow x18 or x36 bit widths
- CAS-before-RAS, RAS-only or hidden refresh

- Power
 - 7.26 Watt Max Active (60nS)
 - 6.16 Watt Max Active (70 nS)
 - 5.28 Watt Max Active (80 nS)
 - 66 mW Max Standby
- Single 5 Volt Power Supply
- 1024 Refresh Cycles, 16 mSEC
- Available in Fast Page Mode and Static Column Mode versions
- Available in leadless SIM or leaded ZIP versions
- Downward compatible with AK536512W and AK536256W
- Upward compatible with AK5362048W, AK5364096W and AK5368192W
- Operating free air temperature 0°C to 70°C

PIN NOMENCLATURE

DQ ₀ - DQ ₃₅	Data In/Data Out
A ₀ - A ₉	Address Inputs
CAS ₀ - CAS ₃	Column Address Strobe
RAS ₀ & RAS ₂	Row Address Strobe
WE	Write Enable
PD ₁ - PD ₄	Presence Detect
Vcc	5v Supply
Vss	Ground
NC	No Connect

PIN ASSIGNMENT

Pin #	Symbol	Pin #	Symbol	Pin #	Symbol	Pin #	Symbol
1	Vss	19	NC	37	DQ17	55	DQ12
2	DQ0	20	DQ4	38	DQ35	56	DQ30
3	DQ18	21	DQ22	39	Vss	57	DQ13
4	DQ1	22	DQ5	40	CAS0	58	DQ31
5	DQ19	23	DQ23	41	CAS2	59	Vcc
6	DQ2	24	DQ6	42	CAS3	60	DQ32
7	DQ20	25	DQ24	43	CAS1	61	DQ14
8	DQ3	26	DQ7	44	RAS0	62	DQ33
9	DQ21	27	DQ25	45	NC	63	DQ15
10	Vcc	28	A7	46	NC	64	DQ34
11	NC	29	NC	47	WE	65	DQ16
12	A0	30	Vcc	48	NC	66	NC
13	A1	31	A8	46	DQ9	67	PD1
14	A2	32	A9	50	DQ27	68	PD2
15	A3	33	NC	51	DQ10	69	PD3
16	A4	34	RAS2	52	DQ28	70	PD4
17	A5	35	DQ26	53	DQ11	71	NC
18	A6	36	DQ8	54	DQ29	72	Vss

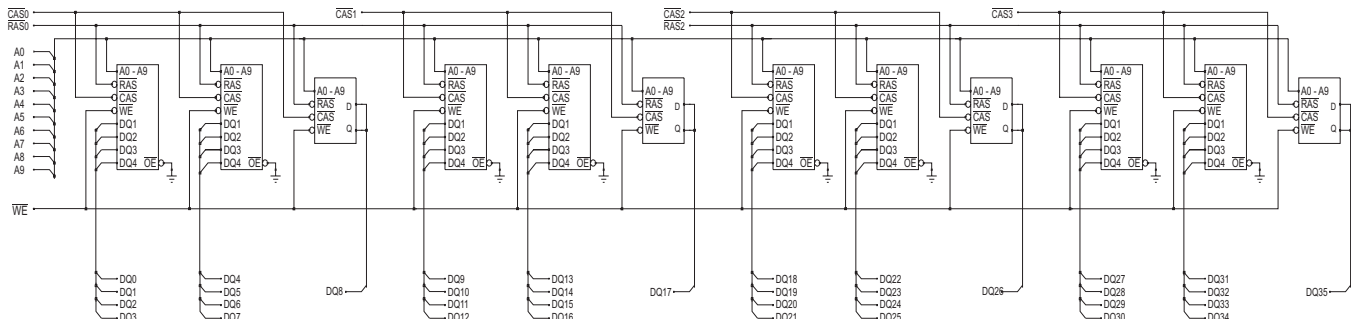
MODULE OPTIONS

Leadless SIM: AK5361024W
Leaded ZIP: AK5361024Z

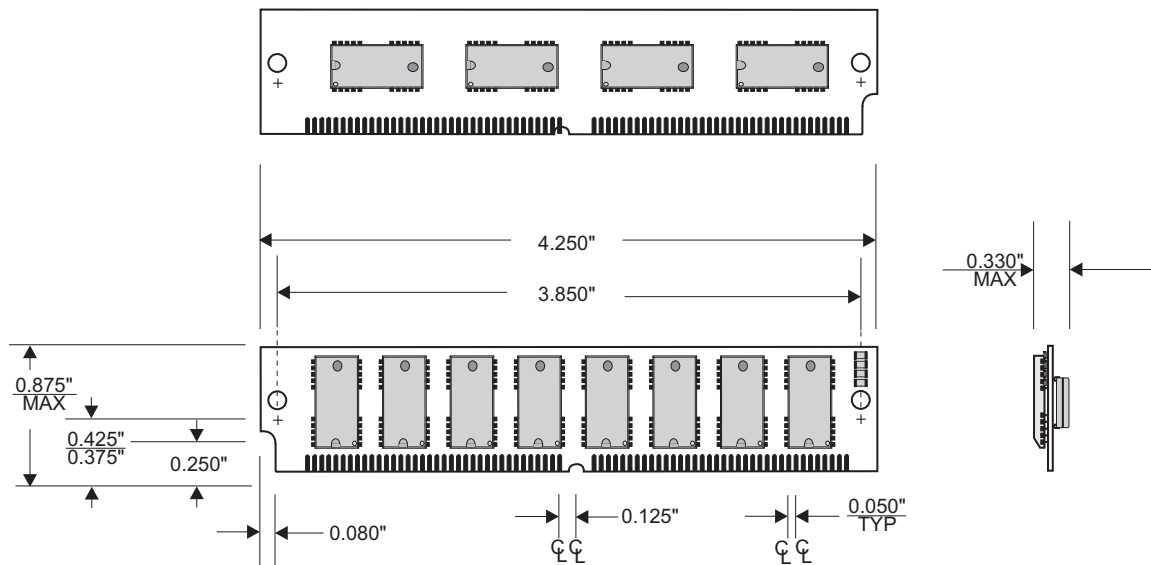
Presence Detect

	-60	-70	-80
PD1	Vss	Vss	Vss
PD2	Vss	Vss	Vss
PD3	NC	Vss	NC
PD4	NC	NC	Vss

FUNCTIONAL DIAGRAM



MECHANICAL DIMENSIONS



5 NEW PASTURE ROAD
NEWBURYPORT, MA 01950-4040
PHONE: 978-465-6200 FAX: 978-462-3396
Email: sales@accutekmicro.com
Internet: www.accutekmicro.com

Accutek reserves the right to make changes in specifications at any time and without notice. Accutek does not assume any responsibility for the use of any circuitry described; no circuit patent licenses are implied. Preliminary data sheets contain minimum and maximum limits based upon design objectives, which are subject to change upon full characterization over the specific operating conditions.