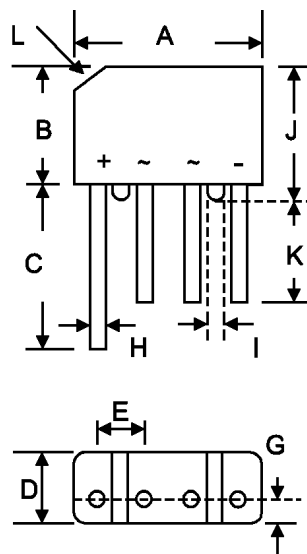


2.0A GLASS PASSIVATED BRIDGE RECTIFIER



KBP		
Dim	Min	Max
A	14.22	15.24
B	10.66	16.68
C	15.20	---
D	4.56	5.10
E	3.60	4.30
G	2.16	2.54
H	0.76	0.85
I	1.52	---
J	11.68	12.70
K	12.70	---
L	3.2×45° Typical	
Unit :mm		

MAXIMUM RATINGS AND ELECTRICAL CHARACTERISTICS