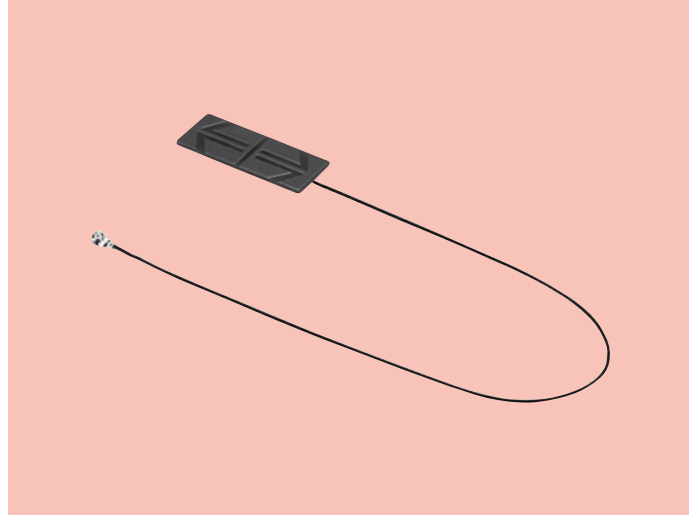


2.4/5GHz Dual-bandwidth Antenna

DCA-E88

OUTLINE

This product is an antenna for wireless LAN that supports a 2.4-GHz band and a 5-GHz band. It shows the good frequency characteristics in two broad bandwidths from 2.4 to 2.5 GHz and from 4.9 to 5.9 GHz.



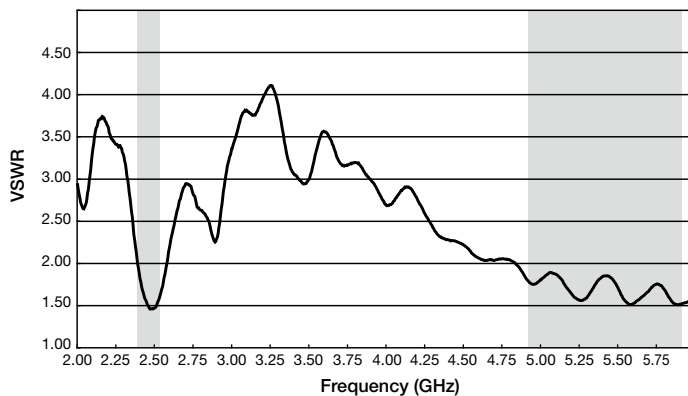
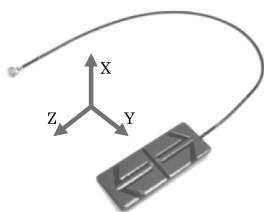
FEATURES

1. Good characteristics in wide bandwidth: 2.4 and 5 GHz band.
2. Support of custom design for mounting.
3. IEEE 802.11 a/b/g/n-compliant.
4. Balanced type of antenna unaffected by the surroundings.
5. High degree of freedom of design.

SPECIFICATIONS

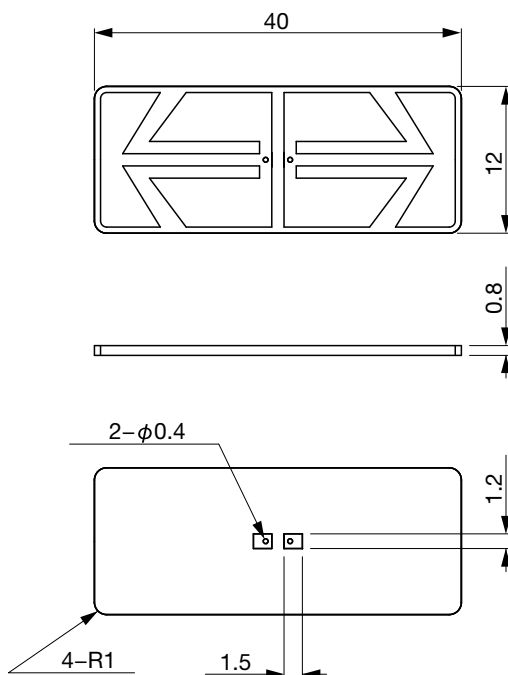
Item	Specifications
Reception Frequency	2.4G to 2.5G 4.9G to 5.9GHz
Reception Polarization	Linear polarization
VSWR Voltage Standing Wave Ratio	≤ 2.0
Gain	(Ave) -1.0 dBi (When a nondirectional radiation pattern is measured : See the Z-axis in the figure blow)
Output Impedance	50Ω
Minimum Order	300,000pcs/year

* Conditions: The cable assembly (300 mm) for installation is included.



* Specifications subject to change without notice for improvements.

DIMENSIONS



Unit : mm