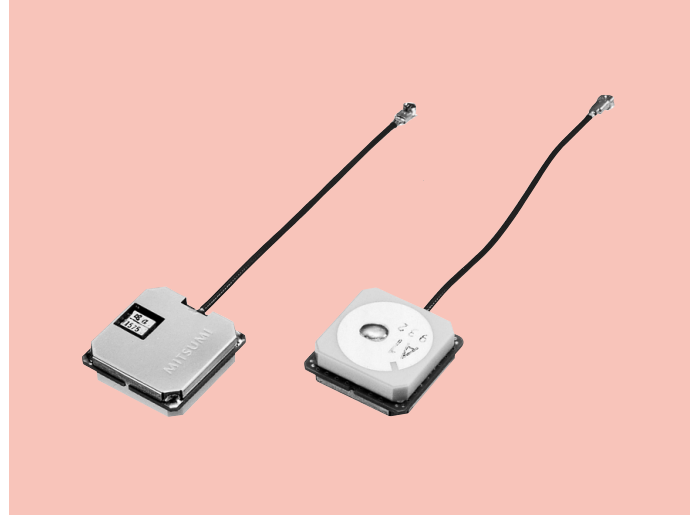


# GPS Antenna GPA-CG2C2

## OUTLINE

This is a highly sensitive, efficient antenna for receiving GPS satellite waves. It is ideal for use as a built-in antenna for portable/handy equipment. Antenna pattern is custom designed to meet the customer's requirements.



## FEATURES

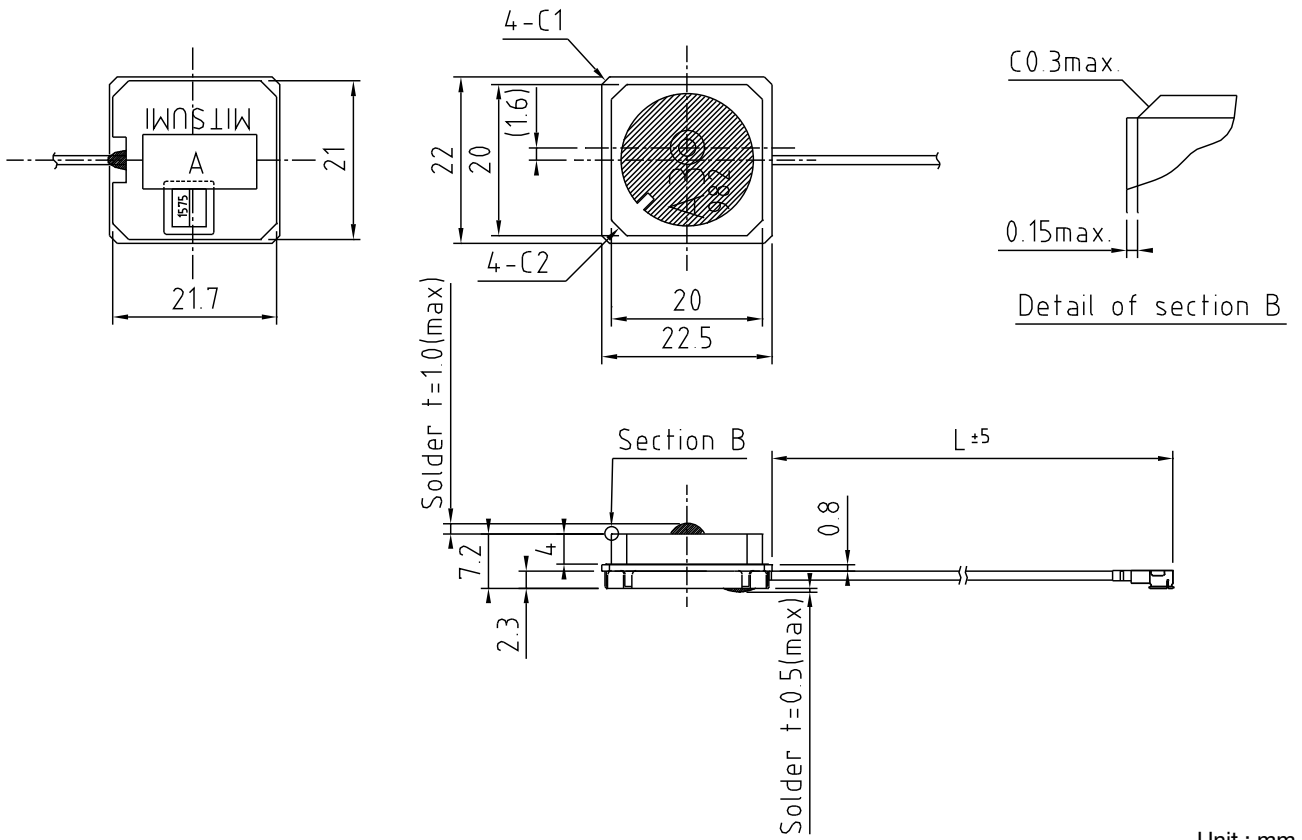
1. Custom antenna pattern design.
2. Low power supply voltage, low consumption current.
3. Small antenna element 20(W)×20(D)×4(H) mm.
4. Cable length and connector can be customized.

## SPECIFICATIONS

Item		Specifications
Antenna	Reception Frequency	1575.42±1.023MHz
	Reception Polarization	Right Hand Circular Polarization
	Antenna Gain	1.0dBi typ. *1
	Output Impedance	50Ω
LNA	Reception Frequency	1575.42MHz
	Noise Factor	1.1dB typ.
	Gain	26dB typ.
	Gain Flatness (Within Reception Band)	1dB max.
	Ex-band Attenuation	18dB min. (fo±50MHz)
Overall	Overall Gain	26dBi typ.(Zenith) *1
	Power Supply Voltage	3.0V
	Current Consumption	6.5mA typ. 8mA max.
Minimum Order		120,000pcs/year

\*1 Conditions : on the 22×22mm grand board. Cable length 100mm.

**DIMENSIONS**



Unit : mm