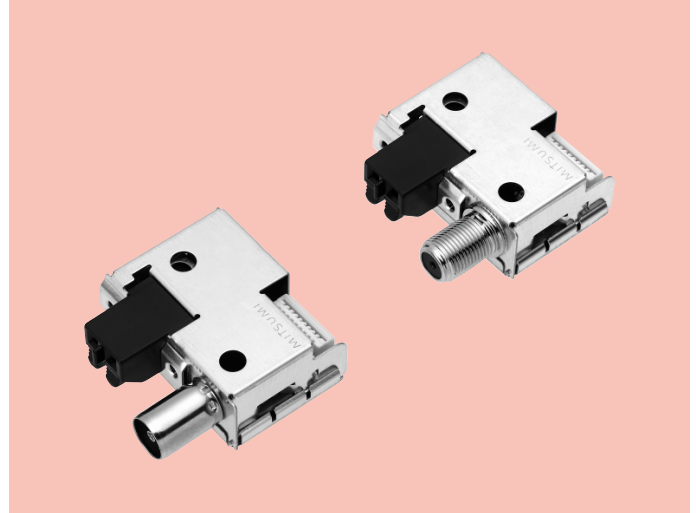


Compact, AM/FM Electronic Tuner for Popular Class Home Stereo FAEH08-W01/E01

AM/FM Electronic Tuners

FEATURES

1. Can support worldwide broadcast by switching function of software.
2. Conform to EN, FCC, PSE Law.
3. Contribution to Layoutfree thanks to miniaturization reduction in bulk (65%) ratio of conventional product. (With AM/FM ANT Input Connector, Output correspond FFC connector)
4. AM/FM, and FM Only in the same form, each capable of RDS support (4 types).



SPECIFICATIONS

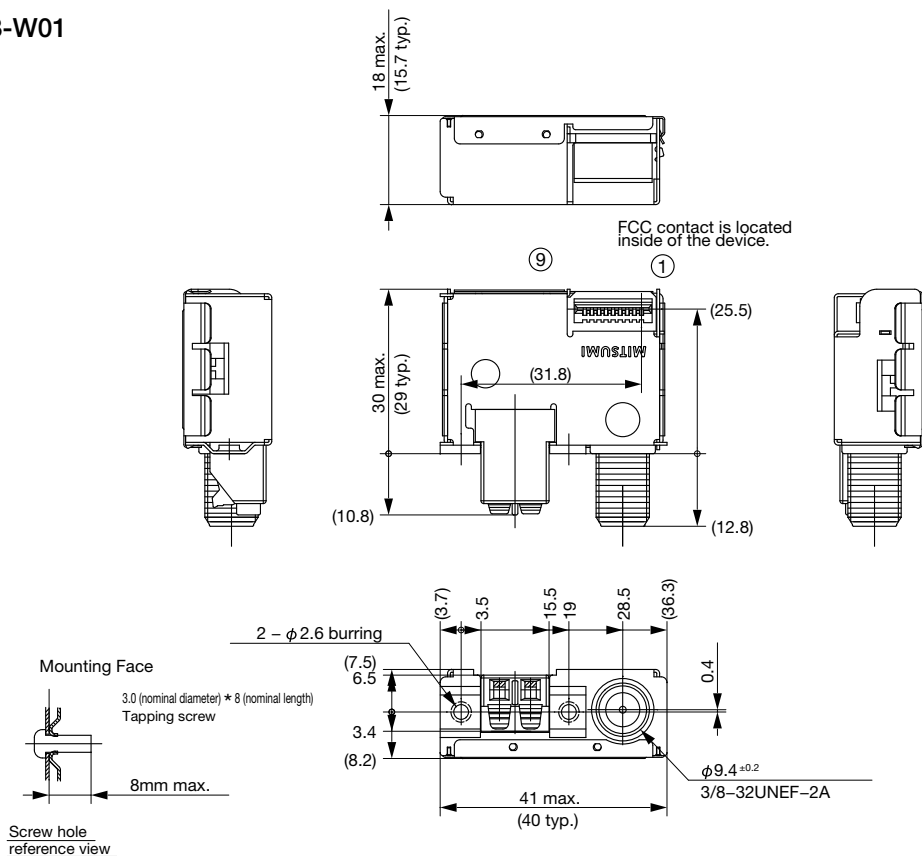
Item		FAEH08-W01
Supply Voltage		+5V
Current Consumption	FM	60mA max.
	AM	
Tuning Range	FM	76MHz ~ 108MHz (50,100 or 200kHz step)
	AM	520kHz ~ 1710kHz (9 or 10kHz step)
Input Impedance	FM	75Ω Unbalanced
	AM	-
Center IF	FM	128kHz
	AM	45kHz
Usable Sensitivity	FM	16dBμEMF max. (10dBμEMF typ.) (S/N=50dB, at 98MHz)
	AM	60dB/m max. (50dB/m typ.) (S/N=20dB, at 999kHz)
Image Rejection	FM	35dB min.
	AM	50dB min.
S/N Ratio	FM	Monaural 62dB min. (68dB typ.)
	AM	48dB min. (55dB typ.)
Output Level	FM	530mVrms
	AM	185mVrms
Separation	FM	FM : 32dB min. (45dB typ.)
	AM	-

• Any products mentioned in this catalog are subject to any modification in their appearance and others for improvements without prior notification.
 • The details listed here are not a guarantee of the individual products at the time of ordering. When using the products, you will be asked to check their specifications.

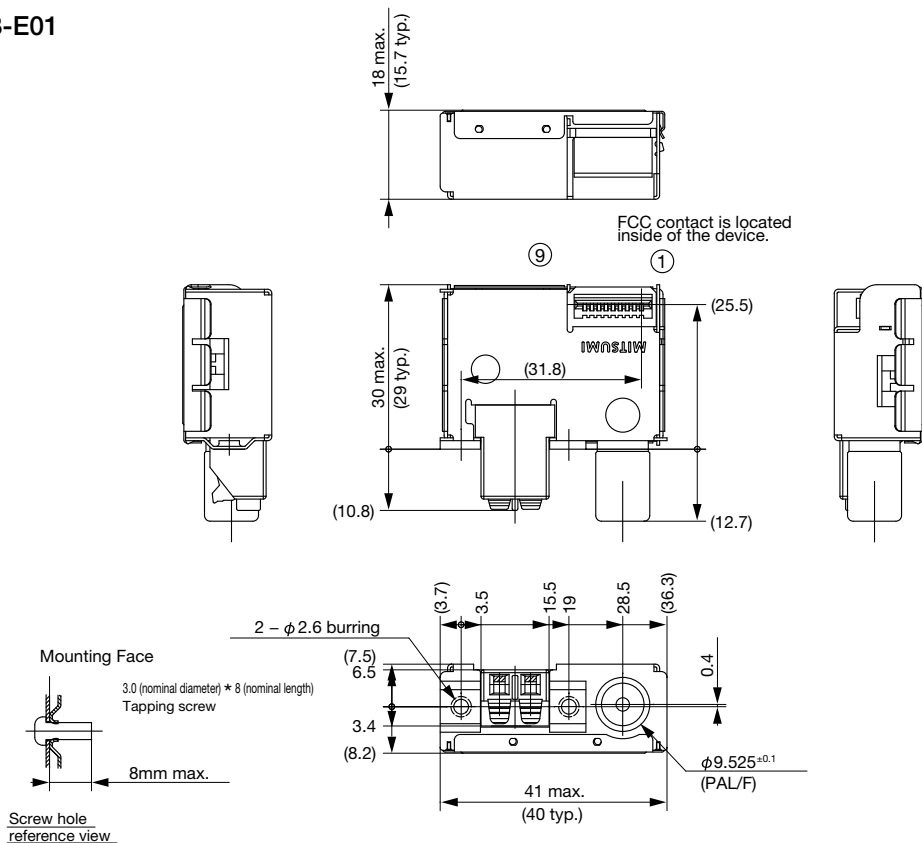
Compact, AM/FM Electronic Tuner for Popular Class Home Stereo

DIMENSIONS

FAEH08-W01



FAEH08-E01



EXTERNAL TERMINALS	
1.	Lch
2.	+5V
3.	Rch
4.	GND
5.	N.C.
6.	GPIO2
7.	SCLK
8.	SDIO
9.	RST

Unit : mm
General Tolerance : \pm 0.5

• Any products mentioned in this catalog are subject to any modification in their appearance and others for improvements without prior notification.
• The details listed here are not a guarantee of the individual products at the time of ordering. When using the products, you will be asked to check their specifications.