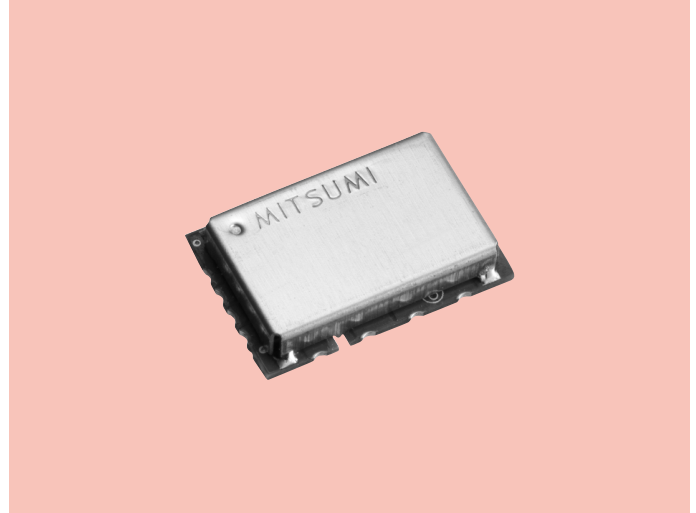


Super Compact, FM Multiple Tuner FE365-W01

FEATURES

1. Super compact and thin FM Multiple Electronic Tuner built in PLL.
(FM-TMC / RDS, VICS)
2. Suitable for reflow soldering thanks to surface mounting design.
3. Equipped with Crystal for VCO.
4. FE365 has RDS / RBDS decoder output and FM MPX output for DARC (VICS) applications.
5. Full-shield structure for improvement of noise resistance.
6. Operate with a single 5.0V typ. power supply.



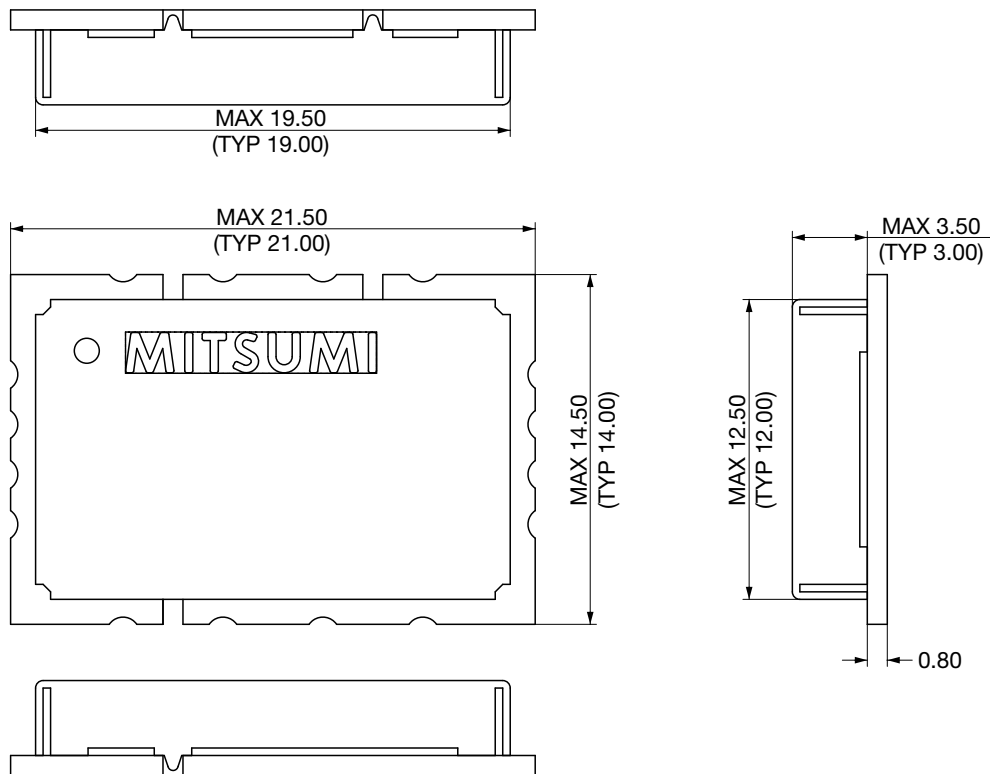
SPECIFICATIONS

Item	FE365-W01
Supply Voltage	+5V ±0.25V
Current Consumption	120mA typ.
Tuning Range	76MHz ~ 90MHz / 87.5 ~ 108MHz
Input Impedance	75Ω unbalanced
Center IF	250KHz
S/N 3dB Sensitivity (For modulation frequency 76kHz, 4% modulation factor)	30dBμV typ.
DET Output Voltage	530mVrms typ. (mod.1kHz)

*Note Specifications subject to change without notice.

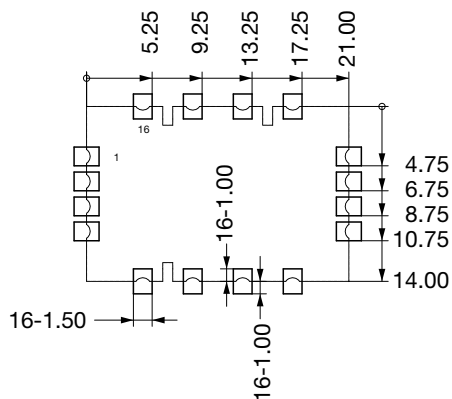
DIMENSIONS

REFERENCE ONLY



REFERENCE PATTERN LAYOUT
(SCALE 2/1)

EXTERNAL TERMINALS	
1. GND (RF)	9. WS
2. AOUT	10. SD
3. MPX OUT	11. SCK
4. LEVEL	12. GNDD
5. SCL	13. VCC
6. SDA	14. GND
7. RDDA	15. GND (VCO)
8. RDCL	16. ANT



Unit : mm
General Tolerance : ±0.5

• Any products mentioned in this catalog are subject to any modification in their appearance and others for improvements without prior notification.
• The details listed here are not a guarantee of the individual products at the time of ordering. When using the products, you will be asked to check their specifications.