

# 4W Car Adaptors VAK Series

## OUTLINE

Car adaptor for use with small, portable electronic equipments used in cars. Practical design makes it easy to plug into the cigarette lighter socket.



## FEATURES

1. Standard Mitsumi case.
2. Uses 4 contact point method to improve reliability.
3. For negative ground cars only.
4. The switch ensures stable connection to any size cigarette lighter socket.

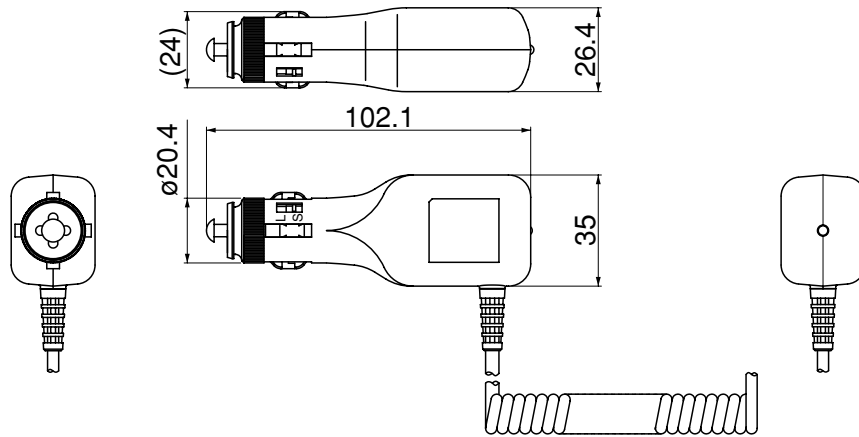
## USES

1. Small electronic equipment used in cars.

## SPECIFICATIONS

Item	Specifications
Input voltage	DC 12~24V
Output capacity	4W
External dimensions	35 (W) × 102.1 (D) × 26.4 (H)mm

DIMENSION



Unit: mm

★Depending on the structure of the area around the cigarette lighter jack, it may not be possible to plug in and use the Car Adaptor.

- Any products mentioned in this catalog are subject to any modification in their appearance and others for improvements without prior notification.
- The details listed here are not a guarantee of the individual products at the time of ordering. When using the products, you will be asked to check their specifications.