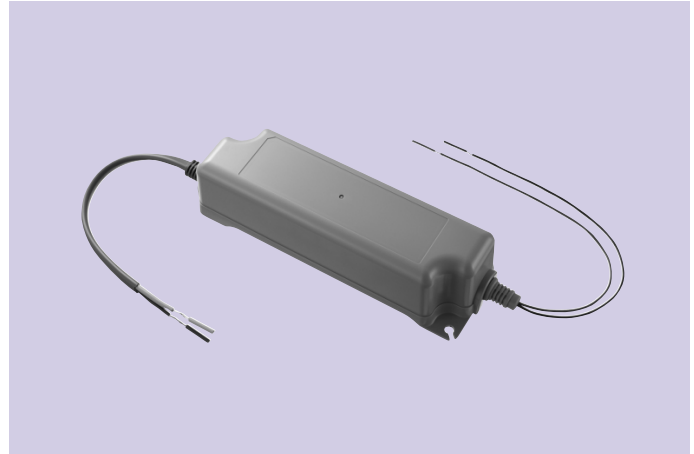


# PSU-LED(C Type)Series

Adaptors, Chargers/Switching Power Supplies

## OUTLINE

- Supports long life required for LED lighting.
- Equipped with a simple lighting control function with one volume control knob.
- Supports IP64 level water proof specifications



## FEATURES

1. Standard product lineup to meet output and current specifications.
2. Constant current drive type.
3. Two types of the model are available with input voltages of AC100V and 240V.
4. Designed in compliance with UL1310, EN61347, Japan electrical appliance and material safety law.
5. High efficiency (> 75~85%)  
Subject to change depending on output voltage / output current specification.
6. Primary and secondary side isolation structure.
7. Long life: More than 50,000 hours. (@ Ta=50 )
8. Supports IP64 level water proof specifications.
9. With mounting holes (M4) for easy fixing of the unit.
10. Dimmer controllable via external knob.

## SPECIFICATIONS

Item	Specifications
Operation Temperature Range	0~50° C
Storage Temperature Range	-20~60° C
External Volume Control Knob for Lighting Control	100kΩ, 10A (EIAJ standard)
Input Voltage Rating	AC100V, 240V
Input Frequency	50/60Hz
Rated Load	Refer to Product Lineup Table (next page)
Output Current Rating	Refer to Product Lineup Table (next page)
Output Current Accuracy	Rated current ±10%
Output Current Ripple	Output current×50%o-p or less
Lighting Control Range	0 to Rated output current
EMC Noise	Compliment to CISPR Class B
Life	50,000 H or more
Efficiency	75-85%(Subject to change depending on output voltage / output current specification)

## USES

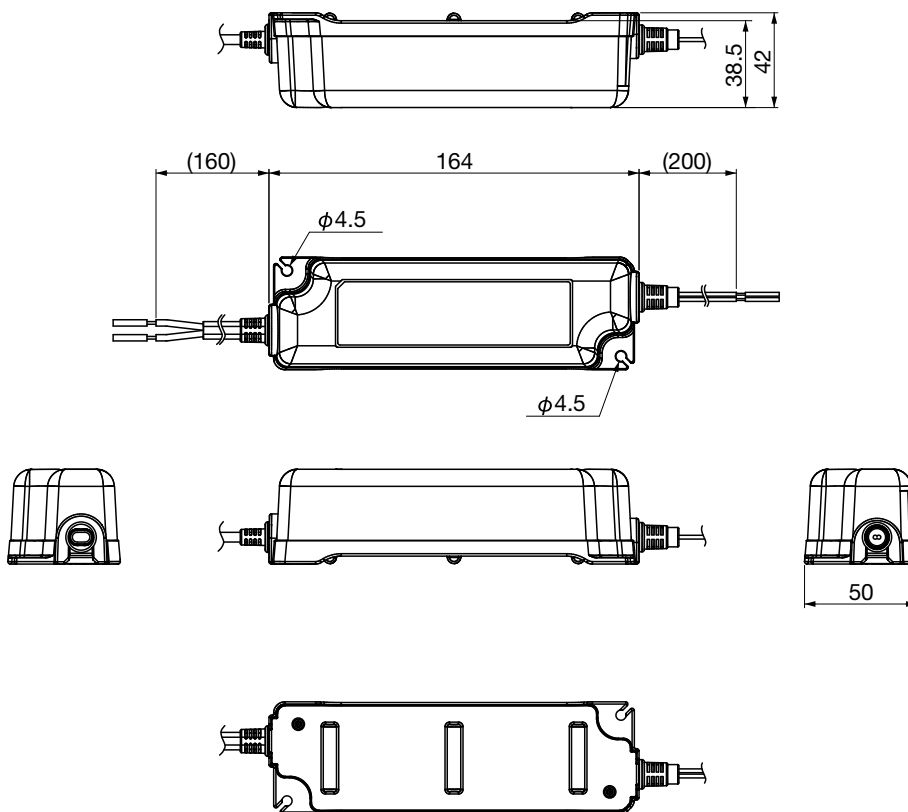
Can be applicable to LED lighting and indicator such as down light, toilet rack light, and foot light.

## Product Lineup Table

■ AC120V, 240V input

		Output current	
		400mA	700mA
Output voltage	44V 12 LEDs or less (Serial connection)	24W	32W

## DIMENSIONS



Unit : mm