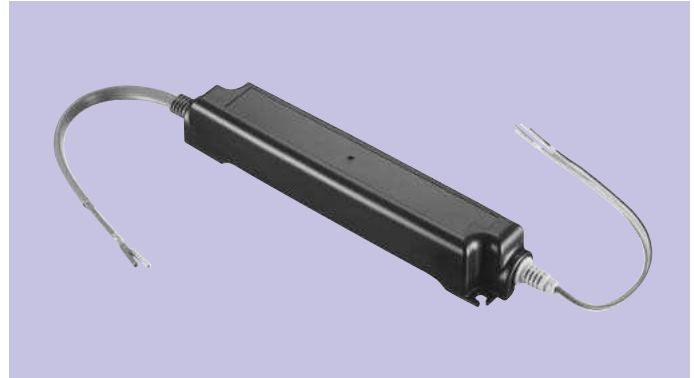


# Power Supply Unit for LED Lighting (Supports IP64 level water proof specifications) PSU-LED (B Type) Series

Adaptors, Chargers/Switching Power Supplies

## OUTLINE

Supports long life required for LED lighting.  
Equipped with a simple lighting control function with one volume control knob.



## FEATURES

1. Standard product lineup to meet output and current specifications.
2. Constant current drive type.
3. Supporting input voltage worldwide.
4. Designed in compliance with UL1310, EN61347, Japan electrical appliance and material safety law.
5. High efficiency (> 75~85%)  
\*Subject to change depending on output voltage / output current specification.
6. Primary and secondary side isolation structure.
7. Long life: More than 50,000 hours. (@ Ta=50°C)
8. Slim design to allow all products to enter into the 40mmøhole.
9. Supports IP64 level water proof specifications.
10. With mounting holes (M4) for easy fixing of the unit.
11. Simple lighting control function with external volume resistance.

## SPECIFICATIONS

Item	Specifications
Operation Temperature Range	0~50°C
Storage Temperature Range	-20~60°C
External Volume Control Knob for Lighting Control	100kΩ, 10A (EIAJ standard)
Input Voltage Rating	AC100 ~ 240V
Input Frequency	50/60Hz
Rated Load	Refer to Product Lineup Table (next page)
Output Current Rating	Refer to Product Lineup Table (next page)
Output Current Accuracy	Rated current ±10%
Output Current Ripple	Output current×50%o-p or less
Lighting Control Range	0 to Rated output current
EMC Noise	Compliment to CISPR Class B
Life	50,000 H or more
Efficiency	75~85% (Subject to change depending on output voltage / output current specification)

• Any products mentioned in this catalog are subject to any modification in their appearance and others for improvements without prior notification.  
• The details listed here are not a guarantee of the individual products at the time of ordering. When using the products, you will be asked to check their specifications.

## USES

Can be applicable to LED lighting and indicator such as down light, toilet rack light, and foot light.

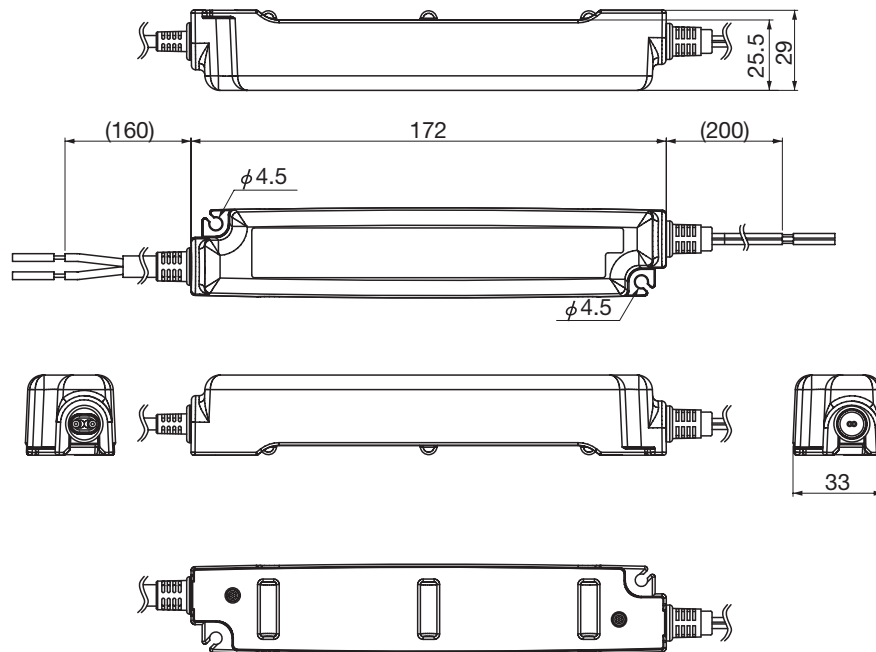
## Product Lineup Table

■ W/W input

		Output current			
		275mA	350mA	400mA	700mA
Output voltage	44V 12 LEDs or less (Serial connection)	15~17W		—	—
	22V 6 LEDs or less (Serial connection)	—	—	12~17W	

\* Compliant to the higher harmonic.

## DIMENSIONS



Unit: mm