

# Compact AC adapter with 10W-class USB output power ADP-USB-S2 Series

Adaptors, Chargers/Switching Power Supplies

## OUTLINE

Standard AC adapter that can be customized input attachment unit, featuring a USB standard TYPE A connector for output.



## FEATURES

1. The input unit using attachments.
2. USB standard for TYPE\_A, output connectors, output cable is shared with the communication cable to the PC is possible.
3. Compatible to common mode noise.

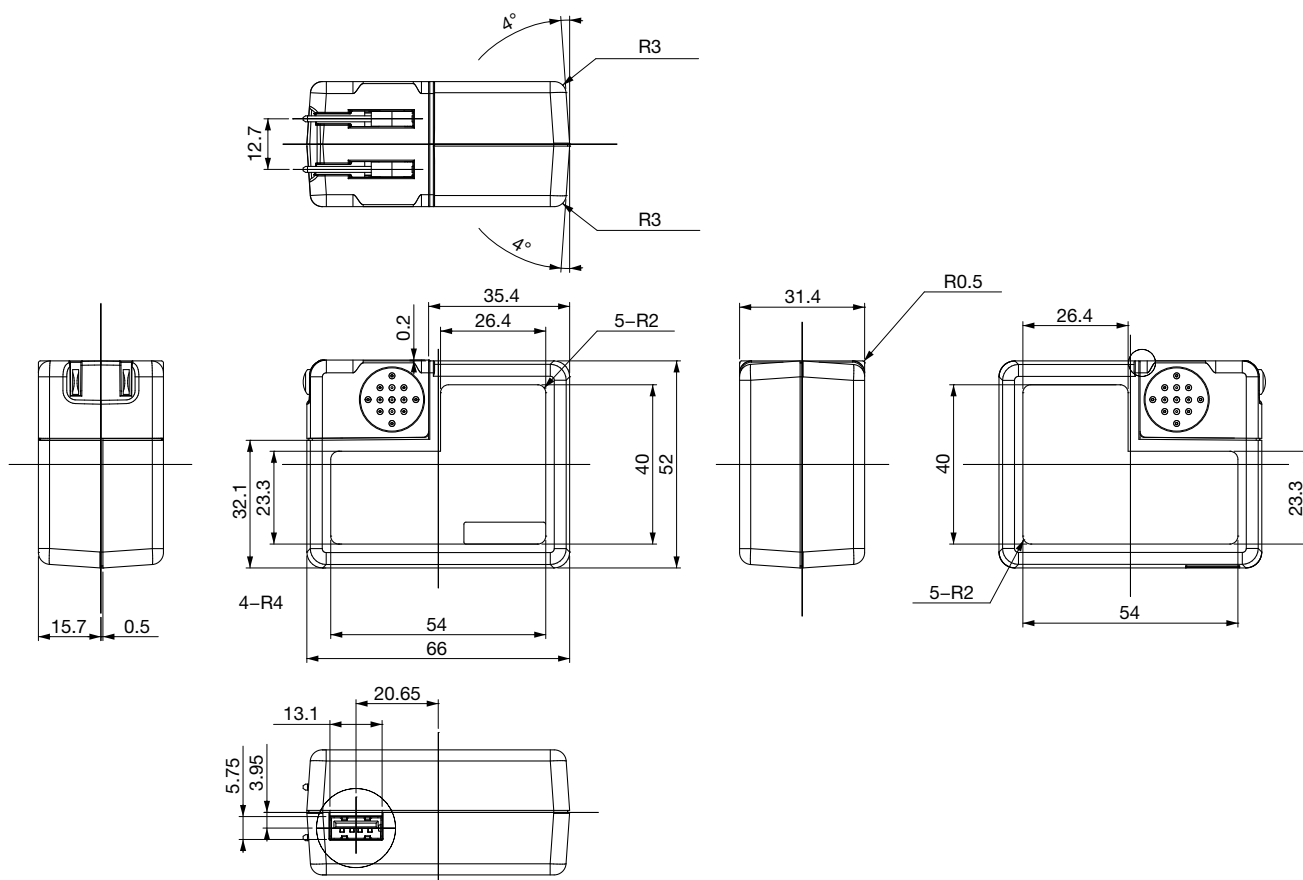
## USES

1. Electronic equipment that operates on DC5V/1.8A input power.
2. Various mobile equipment.

## SPECIFICATIONS

Item	Specifications
Input Voltage	AC100/240V
Output Capacity	DC5V, 2000mA
Destinations	Possible to design plug attachment of each country.
Safety Standards	Electrical Appliance and Material Safety Law (Japan), Conforms to IEC60950
External Dimensions	66 (W) × 52 (D) × 31.4 (H) mm

**DIMENSIONS**



Unit : mm