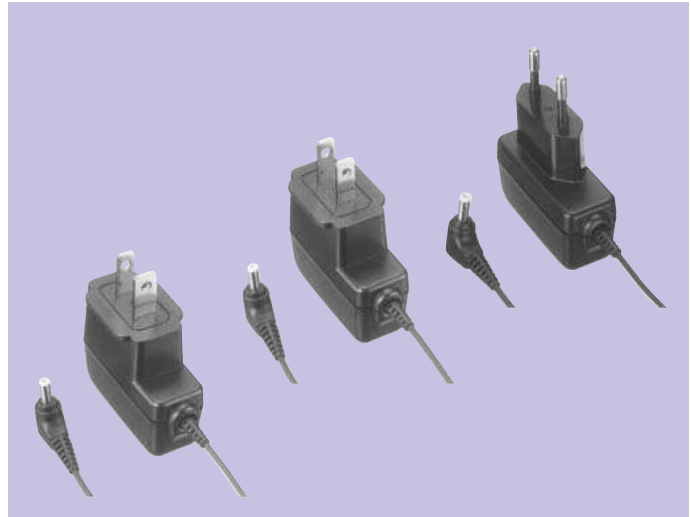


3W AC Adaptors with Worldwide Input ADP-W5 Series

Adaptors, Chargers/Switching Power Supplies

OUTLINE

Small AC adaptor meeting the EU specification and smaller than our existing fixed plug type AC adaptor (W4 type) by about 10%.



FEATURES

1. Standard Mitsumi case.
2. A series of small, standard cases is available for each country.
3. Input voltage supports worldwide input.
4. Output specifications can be customized.

USES

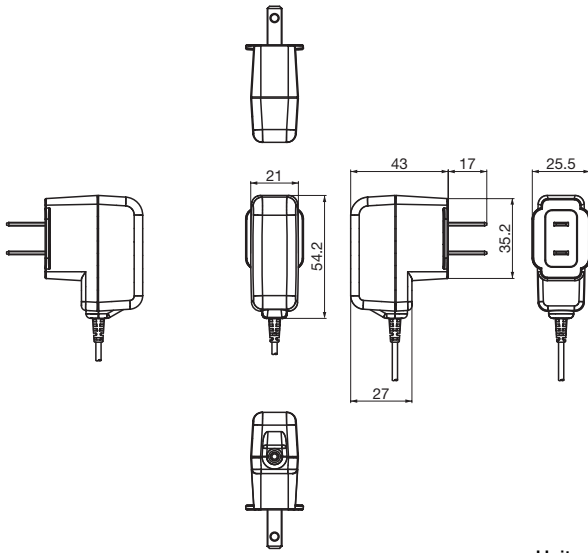
1. Mobile phones.
2. Small electric equipment.
3. Healthcare equipment.

SPECIFICATIONS

| Item | Specifications |
|---------------------|--|
| Input voltage | AC 100~240V |
| Output capacity | 3W |
| Destinations | Japan, North America, Europe, China, Brazil |
| Safety standards | Can be approved by Medical Standard (IEC60601) |
| External dimensions | 21 (W)×51 (D)×43 ~ 45.5 (H) mm |

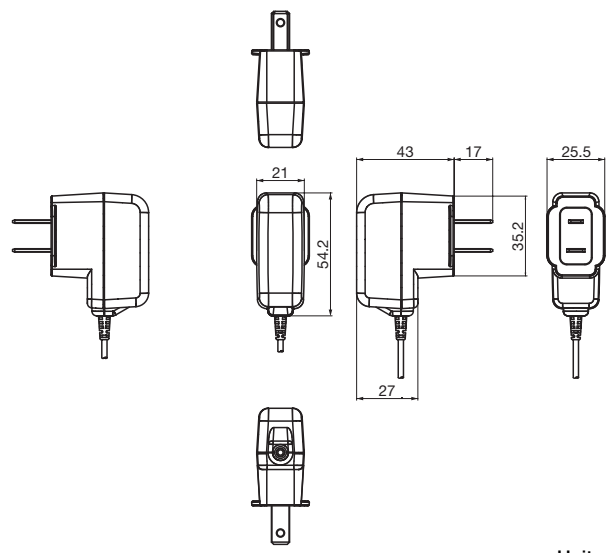
DIMENSIONS

Japan and North America



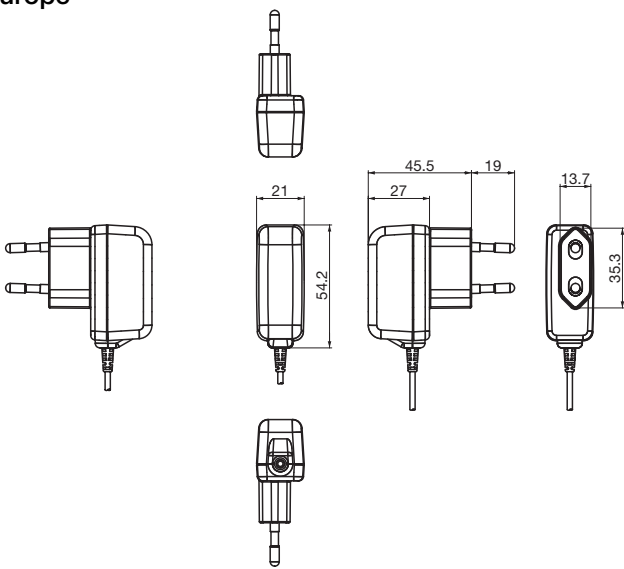
Unit: mm

North America (Polarized Blade)



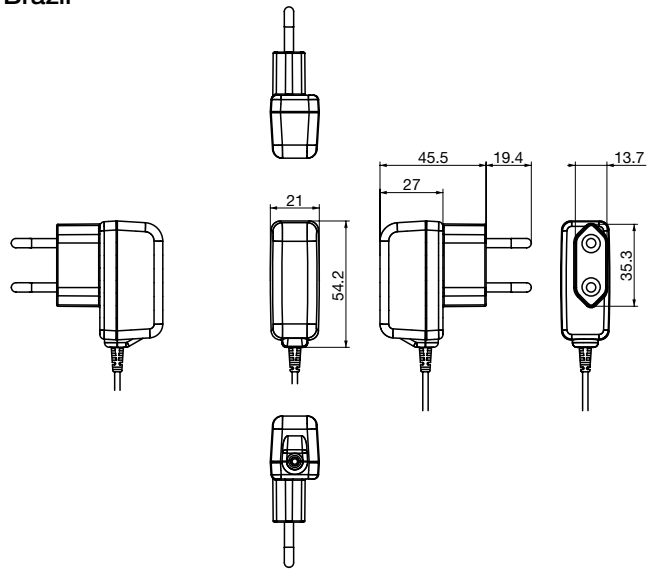
Unit: mm

Europe



Unit: mm

Brazil



Unit: mm