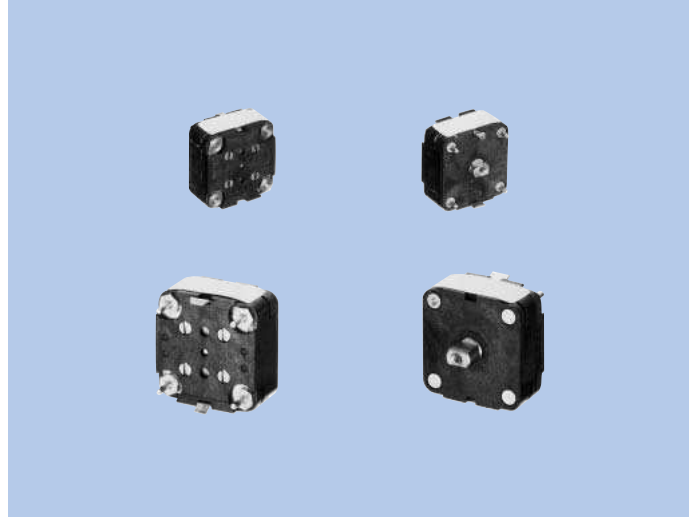


Compact Trackingless Type, For AM/FM 2-Band, AM Narrow-Band 16[□] mm, PVC-2LXT16L7, -2LXT16B7

Polyvaricon

FEATURES

These are standard POLYVARICONS of 16[□]mm size intended for AM/FM 2-band radios.



SPECIFICATIONS

Models	Uses	Mounting Form	Dimensions (mm)	Shaft Dimensions (mm)	No. of Stage	max. Capacitance Swing (pF)	min. Capacitance (pF)	Variable Coefficient Curve
2LXT16L7	AM/FM (2-band)	Front mounting	16×16×8	4-2	AM-2	(O) 82 (A) 140	(O) 4.3±1 (A) 4.1±1	C A
					FM-2	20 (40)	(FC1) 2.8±1 (FC2) 3.9±1	B
2LXT16B7	AM/FM (2-band)	Rear mounting	16×16×8	4-2	AM-2	(O) 82 (A) 140	(O) 4.0±1 (A) 3.8±1	C A
					FM-2	20 (40)	(FC1) 2.8±1 (FC2) 3.6±1	B

CHARACTERISTICS

Item		Models	PVC-2LXT16L7/2LXT16B7
Mechanical Characteristics	Shaft Rotational Direction		Capacitance decreases as shaft turned clockwise.
	Full Rotational Angle		97 ⁺² ₋₁ % (With semi-sphere 180° as 100%.)
	Rotational Torque		30~200g·cm
	Torque Difference		100g·cm or less
	Stopper Strength		4kg·cm (Breakdown strength)
Electrical Characteristics	Tolerance of Variable Capacitance		AM ± (1pF+2%) FM ± (0.3pF+2%)
	Q		AM 500 or more FM 200 or more
	Trimmer Capacitance		5pF or more
	MW Tuning Frequency Range		520~1650kHz

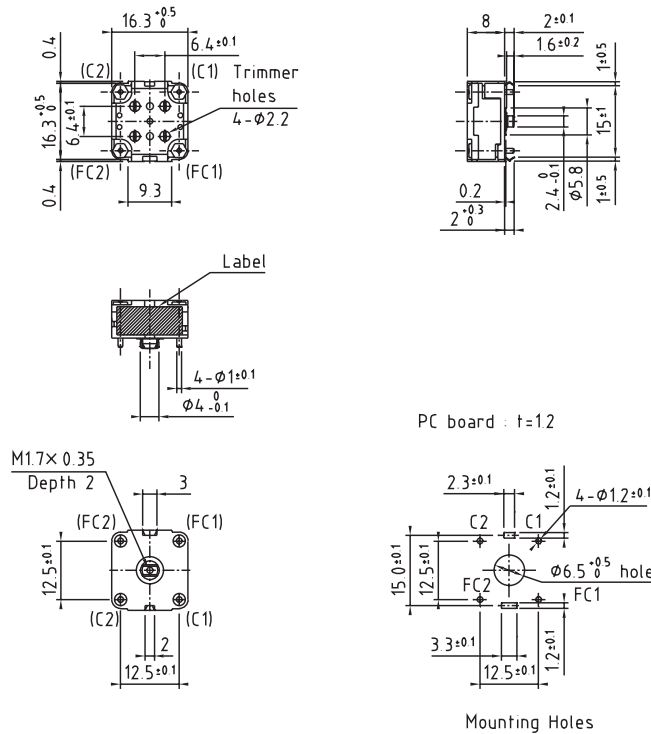
• Any products mentioned in this catalog are subject to any modification in their appearance and others for improvements without prior notification.
• The details listed here are not a guarantee of the individual products at the time of ordering. When using the products, you will be asked to check their specifications.

Nominal Variable Coefficient Capacitance

Rotational Index	%	100	90	82.5	75	70	60	50	42.6	30	25	17.5	10	(3)	Variable Coefficient Curve
Variable Capacitance (pF)	AM	82.0	73.8	66.8	58.9	53.5	42.4	31.8	24.5	14.3	10.9	6.44	2.71	0	C
	FM	140.0	118.2	101.3	84.0	73.2	53.2	36.7	26.6	14.3	10.6	6.01	2.44	0	A
	FM	20.00	17.24	—	13.46	12.30	10.08	8.02	—	4.30	3.45	—	1.05	0	B

DIMENSIONS

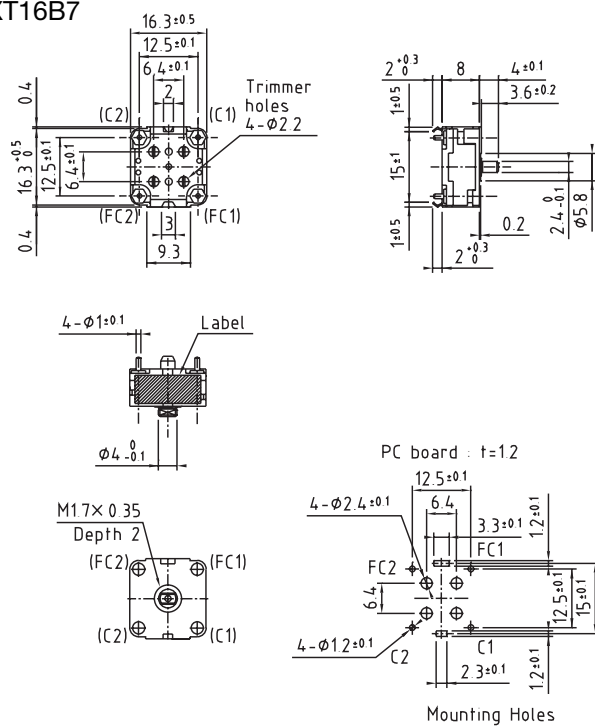
PVC-2LXT16L7



- ☆Flats of shaft located as shown max. capacitance.
- ☆Tolerance of shaft flat angle : Within ±2°.
- ☆Oscillator stage : AM (C1), FM (FC1).

Unit : mm, Tolerance : ±0.2

PVC-2LXT16B7



- ☆Flats of shaft located as shown max. capacitance.
- ☆Tolerance of shaft flat angle : Within ±2°.
- ☆Oscillator stage : AM (C2), FM (FC2).

Unit : mm, Tolerance : ±0.2