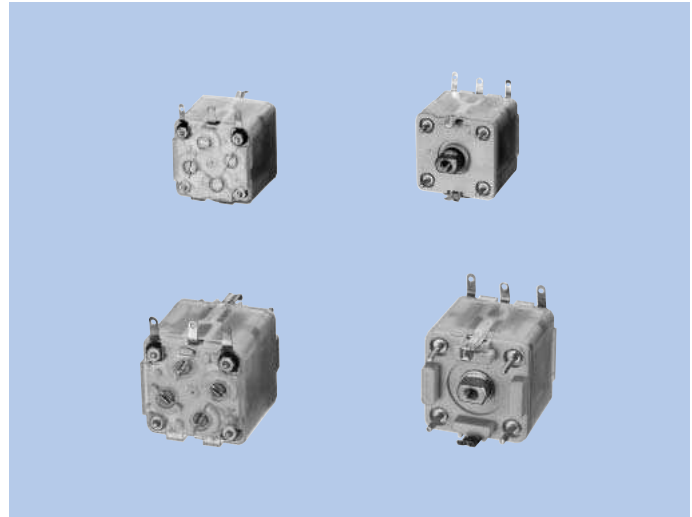


# AM 335pF, For AM/FM Multi-Band 20 mm, PVC-22KT-L, -22KT-LD1

Polyvaricon

## FEATURES

These are AM 2-gangs FM 2-gangs multi-band equal-capacitance type POLYVARICONS with maximum AM capacitance of 335pF. High-class AM-FM multi-band sets. Various configurations available cope with any mounting system.



## SPECIFICATIONS

Models	Uses	Mounting Form	Dimensions (mm)	Shaft Dimensions (mm)	No. of Stage	max. Capacitance Swing (pF)	min. Capacitance (pF)	Variable Coefficient Curve
22KT-L	AM/FM (Multi-band)	Front mounting	21×21×20.7	6-3	AM-2	335	5±1.5	A
					FM-2	20 (40)	3.5±1.5	B
22KT-LD1	AM/FM (Multi-band)	Dip soldering	21×21×23.7	(3.5) -3	AM-2	335	5±1.5	A
					FM-2	20 (40)	3.5±1.5	B

## CHARACTERISTICS

Item		Models	PVC-22KT-L/22KT-LD1
Mechanical Characteristics	Shaft Rotational Direction		Capacitance decreases as shaft turned clockwise.
	Full Rotational Angle		97 <sup>+2</sup> <sub>-1</sub> % ( With semi-sphere 180° as 100%. )
	Rotational Torque		70~450g·cm
	Torque Difference		250g·cm or less
	Stopper Strength		12kg·cm (Breakdown strength)
Trimmer Rotational Torque		50~400g·cm	—————
Electrical Characteristics	Tolerance of Variable Capacitance	AM	± (1pF+1.5%)
		FM	±0.5pF
	Q	AM	500 or more
		FM	200 or more
Trimmer Capacitance		7pF or more	—————
MW Tuning Frequency Range		520~1650kHz	

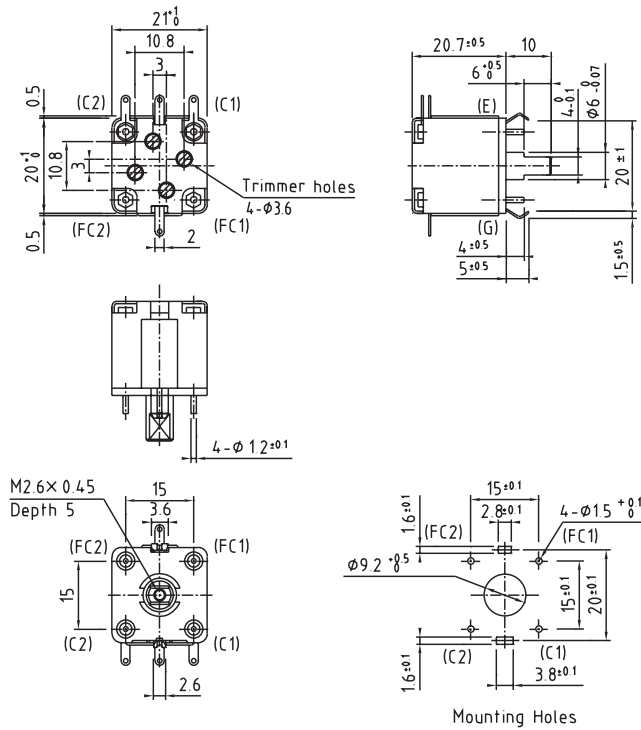
• Any products mentioned in this catalog are subject to any modification in their appearance and others for improvements without prior notification.  
 • The details listed here are not a guarantee of the individual products at the time of ordering. When using the products, you will be asked to check their specifications.

## Nominal Variable Coefficient Capacitance

Rotational Index	%	100	90	80	75	70	60	50	40	30	25	20	10	(3)	Variable Coefficient Curve
Variable Capacitance (pF)	AM	335.0	282.7	227.5	201.0	175.2	127.3	87.8	57.0	34.2	25.4	17.8	5.8	0	A
	FM	20.00	17.24	14.67	13.46	12.30	10.08	8.02	6.10	4.30	3.45	2.62	1.05	0	B

## DIMENSIONS

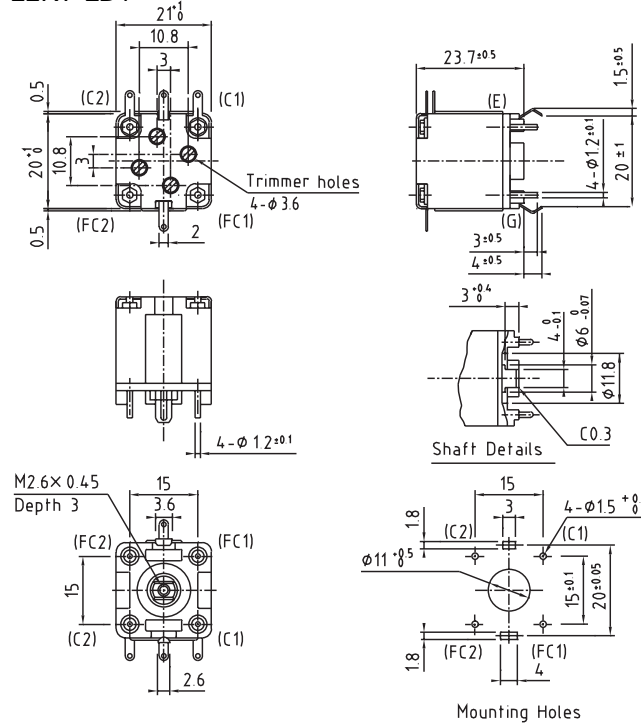
### PVC-22KT-L



- ☆ Flats of shaft located as shown max. capacitance.
- ☆ Tolerance of shaft flat angle : Within ±2°.
- ☆ Oscillator stage : AM (C1), FM (FC1).

Unit : mm, Tolerance : ±0.2

### PVC-22KT-LD1



- ☆ Flats of shaft located as shown max. capacitance.
- ☆ Tolerance of shaft flat angle : Within ±2°.
- ☆ Oscillator stage : AM (C1), FM (FC1).

Unit : mm, Tolerance : ±0.2

• Any products mentioned in this catalog are subject to any modification in their appearance and others for improvements without prior notification.  
 • The details listed here are not a guarantee of the individual products at the time of ordering. When using the products, you will be asked to check their specifications.