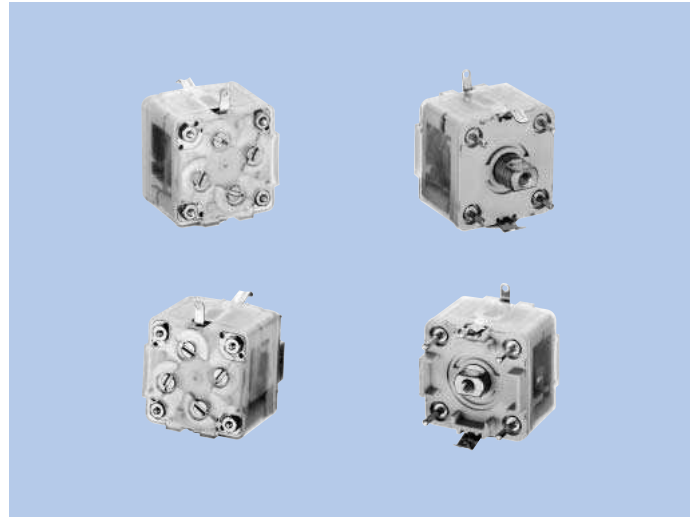


# Trackingless Type, For AM/FM 2-Band, AM Narrow-Band 20 mm, PVC-2LXT-L5, -2LXT-LD5

## FEATURES

These are AM/FM 2-band radio use POLYVARICONS. Improved electric and mechanical characteristics and superb quality control implemented make them highly satisfactory as high-grade variable capacitors.



## SPECIFICATIONS

Models	Uses	Mounting Form	Dimensions (mm)	Shaft Dimensions (mm)	No. of Stage	max. Capacitance Swing (pF)	min. Capacitance (pF)	Variable Coefficient Curve
2LXT-L5	AM/FM (2-band)	Front mounting	21×21×16.5	4-2	AM-2	(O) 82 (A) 140	3.8±1 3.4±1	C A
					FM-2	20 (40)	FC1 3.3±1 FC2 3.8±1	B
2LXT-LD5	AM/FM (2-band)	Dip soldering	21×21×19.5	(3.5) -3	AM-2	(O) 82 (A) 140	3.8±1 3.4±1	C A
					FM-2	20 (40)	FC1 3.3±1 FC2 3.8±1	B

## CHARACTERISTICS

Item		Models	PVC-2LXT-L5/2LXT-LD5
Mechanical Characteristics	Shaft Rotational Direction		Capacitance decreases as shaft turned clockwise.
	Full Rotational Angle		97 <sup>+2</sup> <sub>-1</sub> % ( With semi-sphere 180° as 100%. )
	Rotational Torque		70~350g·cm
	Torque Difference		150g·cm or less
	Stopper Strength		9kg·cm (Breakdown strength)
	Trimmer Rotational Torque		50~400g·cm
Electrical Characteristics	Tolerance of Variable Capacitance	AM	± (1pF+1%)
		FM	± (0.3pF+2%)
	Q	AM	500 or more
		FM	200 or more
	Trimmer Capacitance		7pF or more
MW Tuning Frequency Range		520~1650kHz	

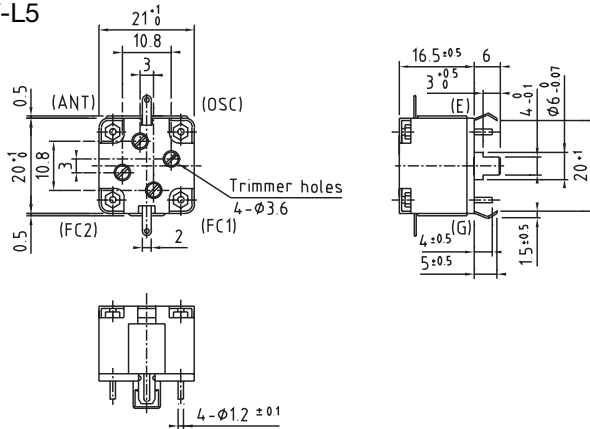
• Any products mentioned in this catalog are subject to any modification in their appearance and others for improvements without prior notification.  
 • The details listed here are not a guarantee of the individual products at the time of ordering. When using the products, you will be asked to check their specifications.

## Nominal Variable Coefficient Capacitance

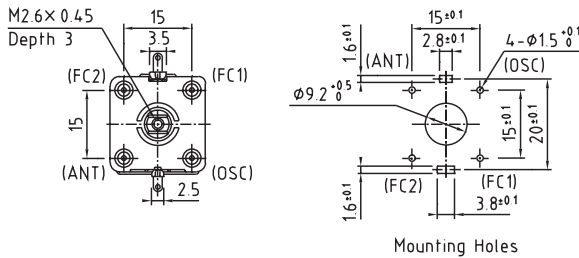
Rotational Index	%	100	90	82.8	75	70	60	50	42.6	30	25	17.5	10	(3)	Variable Coefficient Curve
Variable Capacitance (pF)	AM	82.0	73.8	66.8	58.9	53.5	42.4	31.8	24.5	14.3	10.9	6.44	2.71	0	C
	FM	140.0	118.2	101.3	84.0	73.2	53.2	36.7	26.6	14.3	10.6	6.01	2.44	0	A
		20.00	17.24	—	13.46	12.30	10.08	8.02	—	4.30	3.45	—	1.05	0	B

## DIMENSIONS

### PVC-2LXT-L5

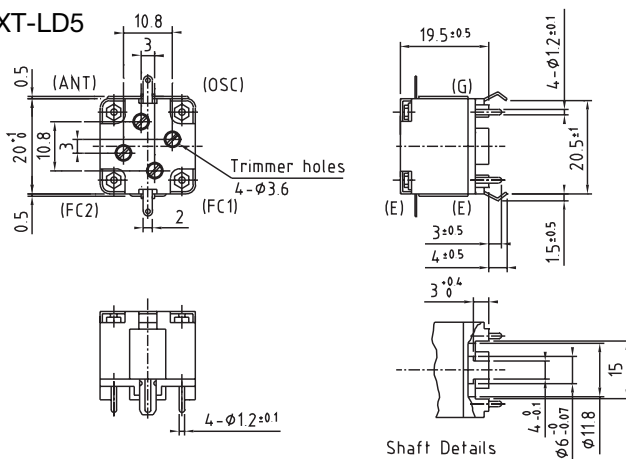


- ☆Flats of shaft located as shown max. capacitance.
- ☆Tolerance of shaft flat angle : Within  $\pm 2^\circ$ .
- ☆Oscillator stage : AM (OSC), FM (FC1).

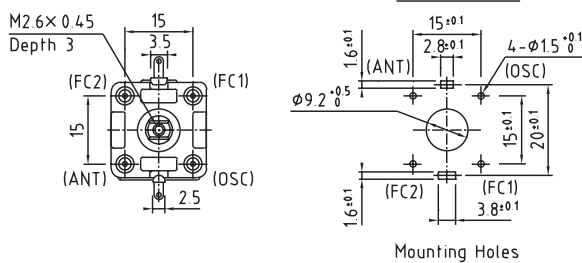


Unit : mm, Tolerance :  $\pm 0.2$

### PVC-2LXT-LD5



- ☆Flats of shaft located as shown max. capacitance.
- ☆Tolerance of shaft flat angle : Within  $\pm 2^\circ$ .
- ☆Oscillator stage : AM (OSC), FM (FC1).



Unit : mm, Tolerance :  $\pm 0.2$

• Any products mentioned in this catalog are subject to any modification in their appearance and others for improvements without prior notification.  
 • The details listed here are not a guarantee of the individual products at the time of ordering. When using the products, you will be asked to check their specifications.